



**ATB MATERIAL HANDLING**



**FORKLIFT  
ATTACHMENTS AND MASTS**

**2024**

**CATALOGUE**

# INDEX

<b>01</b>	Intro	<b>4</b>
<b>02</b>	Sideshifts	<b>12</b>
<b>03</b>	Fork Positioners	<b>20</b>
<b>04</b>	Multipallet Handlers	<b>38</b>
<b>05</b>	Rotators	<b>50</b>
<b>06</b>	Clamps	<b>62</b>
<b>07</b>	Rotating Clamps	<b>88</b>
<b>08</b>	Roll and Tyre Clamps	<b>102</b>
<b>09</b>	Hydraulic and Mechanical Attachments	<b>118</b>
<b>10</b>	Forks	<b>134</b>
<b>11</b>	Masts and Hydraulic Kits	<b>140</b>
<b>12</b>	Special and Customised Products	<b>146</b>
<b>13</b>	Rental Attachments	<b>152</b>





Learn more about  
ATIB Material Handling  
and watch the corporate video!

# 01 INTRO

Our Company	6
General Sales Conditions	7
General Information	7
Side Shifting	9
Solenoid Valve	9
Residual Capacity Calculation	10

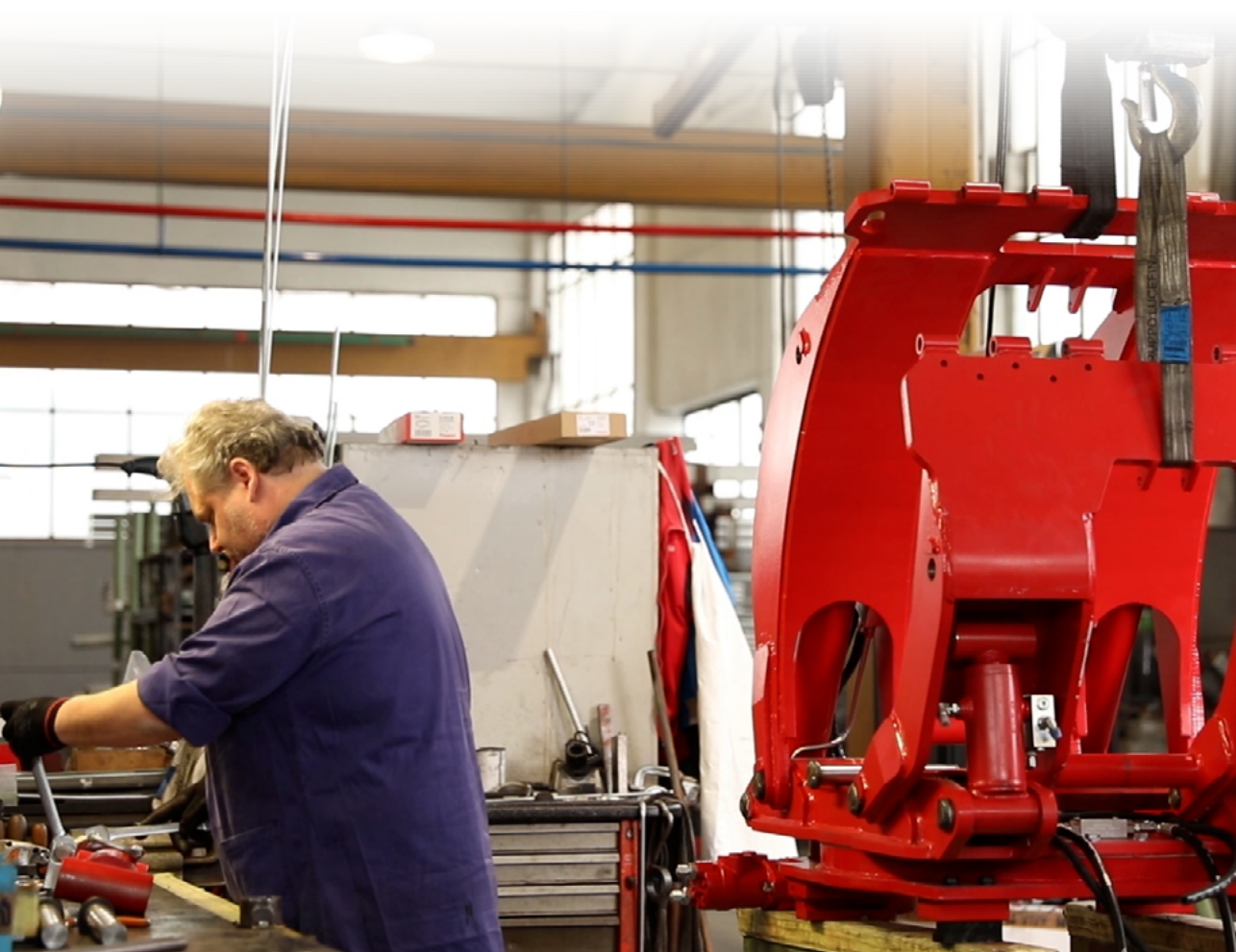
## Our Company

Since 1972 our engineers have been studying and producing reliable, high-performance and high-quality Attachments and Masts for Lift Trucks, that have always helped consumers to solve difficult logistic problems, making goods handling faster and safer.

Over the years, the Company's sales network has expanded to more than 50 Countries worldwide.

Among the leading products, ATIB Material Handling offers: Sideshifts, Fork Positioners, Multi Pallet Handlers, Rotators and Clamps, but also special and customized products, designed and tailored by our technical engineers on the basis of information provided by customers.

Thanks to their reliability, our attachments can be adapted as solutions in any industrial sector and can work on different types of machinery (such as forklifts, mini-loaders, telehandlers, etc...).



## General Sales Conditions

### Orders

All orders are considered accepted unless otherwise advised by A.T.I.B. S.r.l..

### Prices

The prices are to be considered V.A.T. excluded (as well as any other tax or duty applicable at the time of shipment) unless different agreements are reported in writing in our official order confirmation. The prices of our attachments do NOT include hydraulic and/or electrical kits.

### Payments

Payments has to be made exclusively in our premises, according to the conditions established and stated in our order confirmation. If are not respected, default interest may be charged and/or the contract may be cancelled. Ownership of the attachments is transferred when the payment will be fully completed.

### Deliveries

The delivery terms indicated in our order confirmations are indicative and must be considered without any unforeseen circumstances. Any delays DO NOT give the right to cancel the order, nor to compensation for damages, or payment of penalties, unless otherwise agreed that must be indicated on our order confirmation.

### Warranty

ATIB Material Handling products, except for wear parts, are guaranteed 36 months or 6000 hours (first deadline reached) from the date of delivery. Under our guarantee, repairs are to be carried out in our plant of manufacture, with no charge for materials or labour.

### Applicable Law and Jurisdiction

These Terms and any dispute must be interpreted according to the Italian laws and are the exclusive competence of the Court of Brescia (ITALY).

**For detailed General Sales Conditions visit our website**

## General Information

The technical features of this Catalogue are subject to changes and revisions and may be changed by ATIB Material Handling at any time and without notice, in order to improve the products. If you wish to make changes to some of our attachment, these must be accepted in advance in writing by our technical department. Any unauthorized alteration may affect the proper functioning of the equipment and may, thereby, have the effect of revoking any form of guarantee with immediate effect.

### Reference

The reference number (ART. N°) indicated in the first column of the tables of this Catalogue, identifies the attachment in its entirety, and will also be reported on our order confirmation, our delivery note and our invoice. It will also be reported, together with the serial number and the main technical details, on the identification plate of the attachment itself, making it easier to identify for future orders of spare parts.

**Attachments Capacity**

The Capacity indicated in this Catalogue represents only a structural limit; the load and working conditions must always be taken into consideration when determining the most suitable attachment. The Capacity indicated in each table refers to the attachment only. Since the attachment, once installed, reduces the nominal capacity of the forklift, the residual capacity of the attachment/forklift combination must always be confirmed by the forklift manufacturer, but can be roughly calculated using the formula on page 11.

**Spare Parts**

Using non-original ATIB Material Handling spare parts may cause malfunction of the attachment and will cause the immediate lapse of warranty.

**Mounting**

Every item required for the mounting of our attachments on the forklift can be supplied by us upon request.

**Hydraulic Kits**

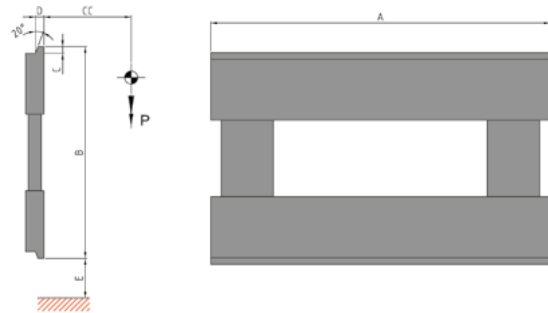
ATIB Material Handling attachments require one or more hydraulic functions of the forklift for the functioning.

**Working Pressure**

The working pressure of each attachment shall not exceed the values given in this Catalogue.

**Attachment Hooks**

ATIB Material Handling attachments are provided with ISO 2328 hooks. Hooking classes other than those mentioned above are considered as special and therefore only available on request, providing our technical department with the data reported in the table below.



ISO 2328	FORKLIFT CAPACITY P - Kg	LOAD CENTRE mm	A mm	B mm	C mm	D mm	E mm	
1	up to 999	400	⊙	331	13	16	A	76
							B	114
2	1000 to 2500	500	⊙	407	13	16	A	76
							B	152
3	2501 to 4999	500	⊙	508	16	21,5	A	76
							B	203
4	5000 to 8000	600	⊙	635	19	25,5	A	127
							B	254
5	8001 to 10999	600	⊙	728	25	34	A	127
							B	257

**Special products**

On request it is possible to design special or customized attachments. The study and design of each product are carried out by our technical department. We invite you to contact us if necessary.

**Delivery conditions**

If not expressly indicated in the order confirmation, the prices are intended EX WORKS, all other expenses are therefore under customer's responsibility.

**Side Shifting**

It facilitates the manoeuvres of the forklift drivers and for this reason is increasingly in demand and used. ATIB Material Handling offers two different types of Sideshift:

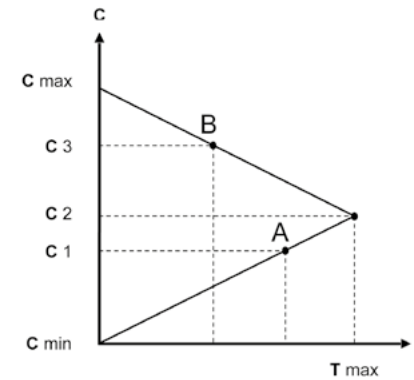
- **Semi-Integral Sideshift (SLS):** It uses a separate cylinder for translation and therefore has a constant stroke with any opening. In this case, the weight, thickness and centre of gravity are slightly modified.

- **Sideshifting Valve:** It uses the same cylinders that make the clamping. The stroke depends on the opening, which is equal to zero both in maximum amplitude and in minimum closing.

As the stroke may be higher than defined by the forklift stability rules (100+100 mm up to 6300 Kg capacity and 150+150 mm for higher capacities), it could cause problems with lateral stability and therefore premature wear of the mast profiles. It is therefore considered necessary to verify its applicability with the manufacturer of the forklift.

The Sideshifting Valve does not affect the weight, thickness or centre of gravity of the attachment and therefore does not further limit the residual flow of the carriage.

To determine the travel of the Sideshifting Valve with a given load you have to calculate the difference between the width of the load with the maximum opening and the minimum opening. The translation will correspond to the lesser of these two results.



T Sideshift  
 C Opening range  
 A Position before half opening range  
 B Position after half opening range

$$A = (C 1 - C \text{ min}) / 2$$

$$B = (C \text{ max} - C 3) / 2$$

$$T \text{ max} = (C \text{ max} - C \text{ min}) / 4$$

$$C 2 = (C \text{ max} + C \text{ min}) / 2$$

**Solenoid Valve**

The Solenoid Valve is used to direct the oil flow in one between two hydraulic functions, usually when the attachment requires three. The first two are operated by the Control Valve, while the Solenoid Valve operates the third.

For example, a Rotating Clamp with Sideshift has a dedicated first function for clamping (for safety reasons), while the second function is connected with a Solenoid Valve, so that it can be rotated or translated. To power the solenoid valve, the forklift must be equipped with a feeding cable that runs from the generator or battery through the mast to the fork carriage. The Solenoid Valve can be operated by means of a push-button switch on a lever or a lever switch installed on the control panel.

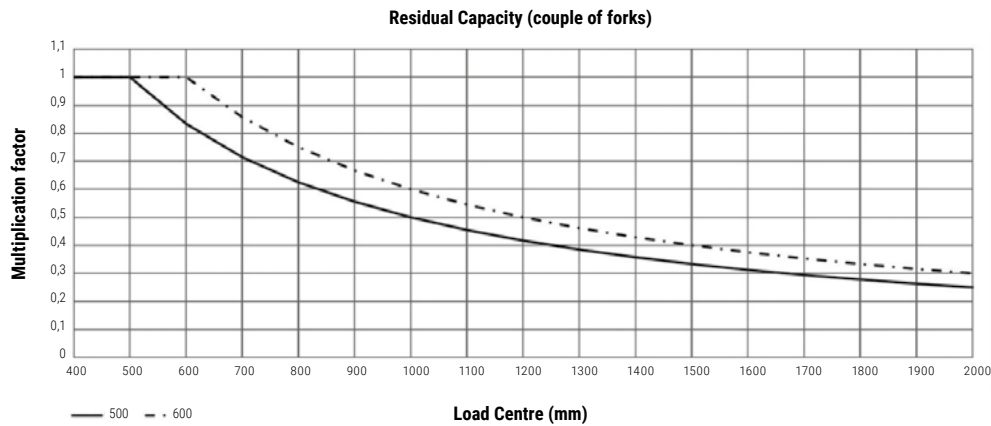
Please note that the solenoid valve coil must have the same control voltage as the forklift.

## Residual Capacity Calculation

Knowing the Residual Capacity of your forklift is important in determining its compatibility with the attachment. However, to know it exactly, it is necessary to consult the manufacturer of the forklift. To know the Residual Capacity of the attachment just check the data on the identification plate glued to it, under the heading "Capacity".

**It is possible to obtain approximately the Residual Capacity of the forklift with the calculation shown on the next page.**

**NOTE:**  
The calculation applies only to "stable" loads; when handling liquid containers it is necessary to consult the manufacturer of the Forklift. Do not exceed the Nominal Capacity of the attachment. The result obtained from this calculation is not to be considered effective, but only approximate. We invite you to consult the manufacturer of the forklift to confirm it.

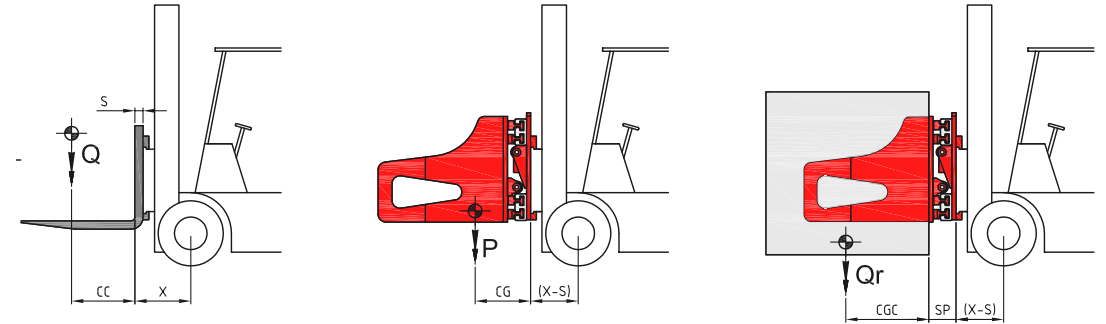


If there is a need to increase the distance of the centre of gravity from the vertical part of the fork, the weight of the load must be reduced. In this case it is recommended to consult the table above where, according to the increase of the centre of gravity (x-axis) there is a load reduction multiplying factor (y-axis). The multiplying factor, based on the desired load centre position, shall be multiplied by the nominal capacity of the attachment. The product of this multiplication will be the actual capacity of the attachment. The continuous line is to be considered for attachments with 500 mm load centre. The dotted line is for attachments with 600 mm load centre.



Scan the Qrcode to immediately calculate the Residual Capacity of your Forklift!

## How to calculate the Residual Capacity



### FORKLIFT DATA

$$\text{CC (mm)} + \text{X (mm)} = \text{RC (mm)}$$

$$\text{Q (kg)} \times \text{RC (mm)} = \text{V (Kg mm)}$$

### ATTACHMENT DATA

$$\text{CG (mm)} + \text{X - S (mm)} = \text{RA (mm)}$$

$$\text{P (mm)} \times \text{RA (mm)} = \text{VV (Kg mm)}$$

### LOAD DATA

$$\text{CGC (mm)} + \text{SP (mm)} + \text{X - S (mm)} = \text{BC (mm)}$$

$$\text{V (Kg mm)} - \text{VV (Kg mm)} = \text{MR (Kg mm)}$$

### RESIDUAL CAPACITY

$$\text{MR (Kg mm)} : \text{BC (mm)} = \text{RESIDUAL CAPACITY}$$

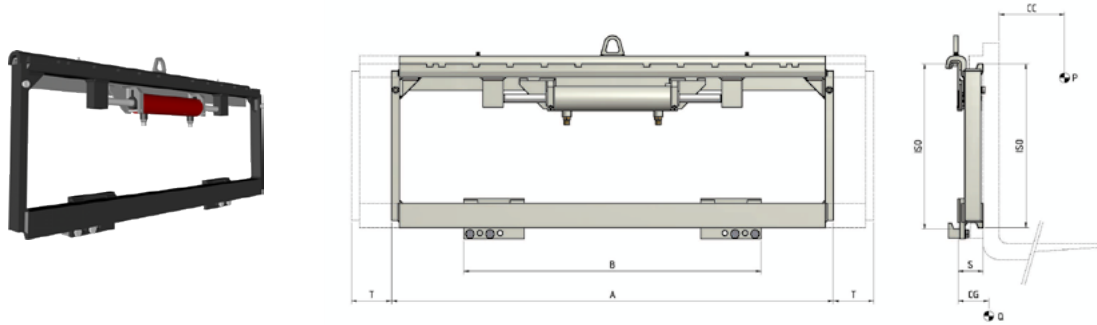
# 02

## SIDESHIFTS

<b>209</b>	Hook on Sideshift IS02	14
<b>109</b>	Hook on Sideshift IS03	15
<b>108</b>	Reinforced Hook on Sideshift	16
<b>122</b>	Integral Sideshift	17

Accessories	19
-------------	----

209 Hook on Sideshift ISO2



FEATURES

• Sturdy and long lasting design. • Transverse load displacement. • Fast and accurate lifting and positioning of loads. • Lower risk of damage to goods and pallets. • Easier manoeuvres, even in confined spaces.

SPECIAL EQUIPMENT

• Special widths and/or strokes. • Custom made Forks. • Custom made Load Backrest.

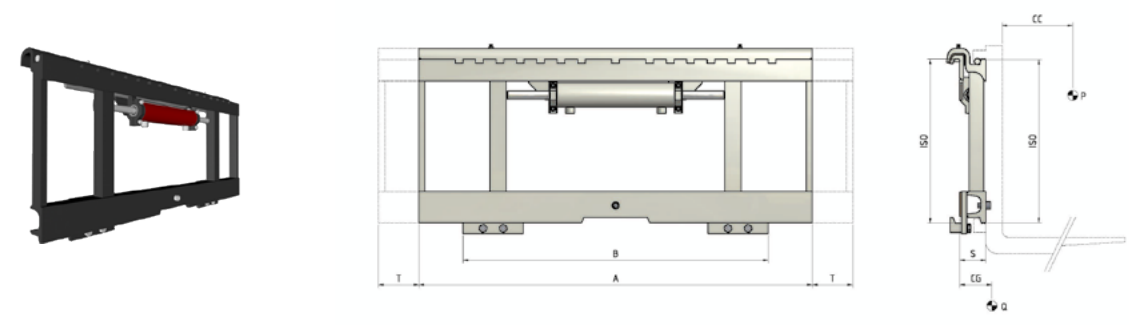
Article	Attachment Capacity	Load Centre of Gravity	ISO	Carriage Width	Minimum Fork Carriage	Stroke	Thickness	Centre of Gravity	Weight	Price
N°	P (Kg)	CC (mm)	2328	A (mm)	B (mm)	T (mm)	S (mm)	CG (mm)	Q (Kg)	€
03LFA2C3001	2500	500	2	920	860	± 100	63	34	48	-
03LFA2C3008	2500	500	2	970	910	± 100	63	35	49	-
03LFA2C3003	2500	500	2	1000	940	± 100	63	36	50	-
03LFA2C3004	2500	500	2	1020	960	± 100	63	36	51	-
03LFA2C3005	2500	500	2	1040	980	± 100	63	36	52	-
03LFA2C3006	2500	500	2	1100	1040	± 100	63	37	55	-
03LFA2C3007	2500	500	2	1150	1090	± 100	63	38	57	-

	ISO (L/min)	2
	Shifting	10

Hydraulic Functions: 1  
Max working pressure: 200 Bar

Accessories page 19

109 Hook on Sideshift ISO3



FEATURES

• Sturdy and long lasting design. • Transverse load displacement. • Fast and accurate lifting and positioning of loads. • Lower risk of damage to goods and pallets. • Easier manoeuvres, even in confined spaces.

SPECIAL EQUIPMENT

• Special widths and/or strokes. • Custom made Forks. • Custom made Load Backrest.

Article	Attachment Capacity	Load Centre of Gravity	ISO	Carriage Width	Minimum Fork Carriage	Stroke	Thickness	Centre of Gravity	Weight	Price
N°	P (Kg)	CC (mm)	2328	A (mm)	B (mm)	T (mm)	S (mm)	CG (mm)	Q (Kg)	€
03HLL3C3008	5000	500	3	1150	1000	± 100	75	40	103	-
03HLL3C3010	5000	500	3	1255	1100	± 100	75	41	110	-
03HLL3C3014	5000	500	3	1350	1200	± 100	75	42	118	-
03HLL3C3018	5000	500	3	1560	1540	± 100	75	42	130	-
03HLL3C3020	5000	500	3	1660	1640	± 100	75	43	137	-

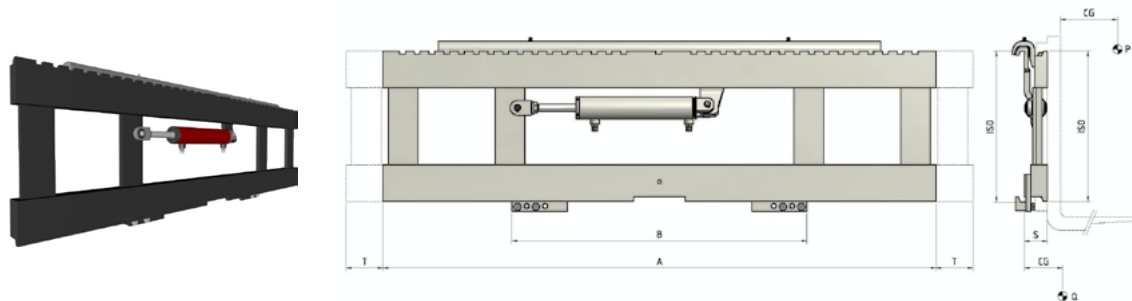
	ISO (L/min)	3
	Shifting	15

Hydraulic Functions: 1  
Max working pressure: 200 Bar

Accessories page 19



### 108 Reinforced Hook on Sideshift



#### FEATURES

- Reinforced model, installed on the original forklift plates, which can be even narrower than the Sideshift itself.
- Sturdy and long lasting design.
- Fast and accurate lifting and positioning of loads.
- Lower risk of damage to goods and pallets.

#### SPECIAL EQUIPMENT

- Special widths and/or strokes.
- Custom made Forks.
- Custom made Load Backrest.

Article	Attachment Capacity	Load Centre of Gravity	ISO	Carriage Width	Minimum Fork Carriage	Stroke	Thickness	Centre of Gravity	Weight	Price
N°	P (Kg)	CC (mm)	2328	A (mm)	B (mm)	T (mm)	S (mm)	CG (mm)	Q (Kg)	€
03GFA2C3014	2500	500	2	1300	1000	± 100	62	39	111	-
03GFA2C3033	2500	500	2	1400	1000	± 100	62	39	118	-
03GFA2C3016	2500	500	2	1500	1000	± 100	62	39	124	-
03GLL3C3099	5000	500	3	1400	1000	± 100	80	44	185	-
03GLL3C3011	5000	500	3	1500	1000	± 100	80	44	205	-
03GLL3C3014	5000	500	3	1660	1100	± 100	80	45	222	-
03GLL3C3042	5000	500	3	1800	1255	± 100	80	46	253	-
03GKR4C3001	4500	600	4	1190	1000	± 100	95	43	182	-
03GKR4C3002	4500	600	4	1420	1200	± 100	95	45	210	-
03GR04C3067*	8000	600	4	1190	1100	± 100	94	40	255	-
03GR04C3001*	8000	600	4	1420	1300	± 100	94	43	290	-
03GR04C3005*	8000	600	4	1800	1500	± 100	94	51	374	-
03GR04C5005*	8000	600	4	1800	1600	± 150	94	51	375	-
03GR04C5006*	8000	600	4	2000	1700	± 150	94	52	400	-
03GR04C5009*	8000	600	4	2200	1700	± 150	94	52	410	-
03GR04C5052*	8000	900	4	2200	1800	± 150	94	52	438	-
03GR04C5050*	8000	1100	4	2400	2000	± 150	94	53	472	-

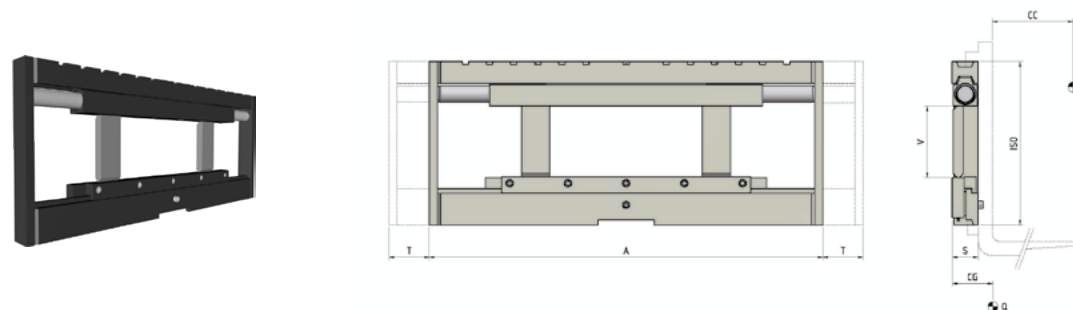
\* Reinforced model with lower rollers

ISO (L/min)	2	3	4
Shifting	10	15	18

Hydraulic Functions: 1  
Max working pressure: 200 Bar

Accessories page 19

### 122 Integral Sideshift



#### FEATURES

- Sturdy and long lasting design.
- Transverse load displacement.
- Fast and accurate lifting and positioning of loads.
- Lower risk of damage to goods and pallets.
- Easier manoeuvres, even in confined spaces.

#### SPECIAL EQUIPMENT

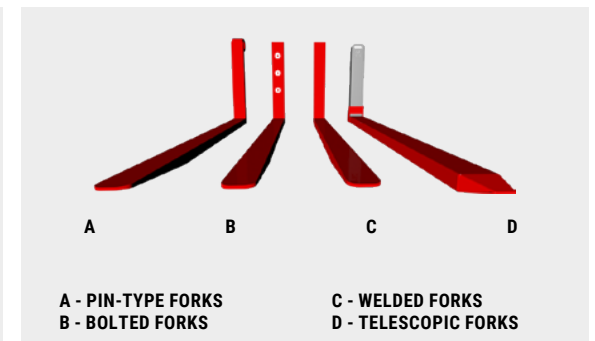
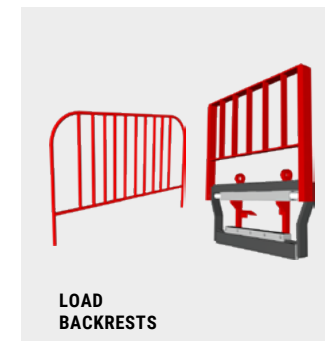
- Special widths and/or strokes.
- Custom made Forks.
- Custom made Load Backrest.
- Brackets (drawings must be sent to our technical office).

Article	Attachment Capacity	Load Centre of Gravity	ISO	Carriage Width	Visibility	Stroke	Thickness	Centre of Gravity	Weight	Price
N°	P (Kg)	CC (mm)	2328	A (mm)	V (mm)	T (mm)	S (mm)	CG (mm)	Q (Kg)	€
03WFA2C3002	2500	500	2	920	209	± 100	65	34	72	-
03WFA2C3007	2500	500	2	1020	209	± 100	65	34	80	-
03WLL3C3002	5000	500	3	1150	265	± 100	75	39	160	-
03WLL3C3025	5000	500	3	1350	265	± 100	75	39	172	-
03TR04C3003	6000	600	4	1800	202	± 100	100	62	405	-
03TR04C3012	6000	600	4	2000	202	± 100	100	62	450	-
03TR04C5008	8000	600	4	1800	202	± 150	100	62	495	-
03TR04C5004	8000	600	4	2000	202	± 150	100	62	570	-

ISO (L/min)	2	3	4
Shifting	10	15	18

Hydraulic Functions: 1  
Max working pressure: 200 Bar

Accessories page 19

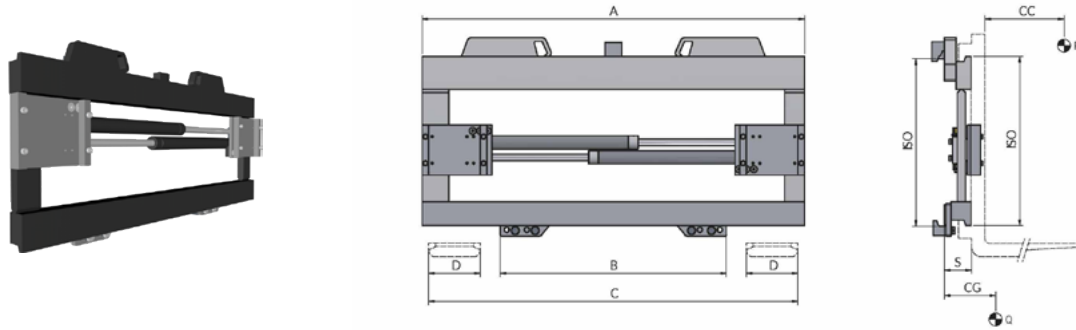


Accessories on request	€
Hoses and Fitting Kit (for each hydraulic function)	-
Hoses and quick-release Couplings Kit (for each hydraulic function)	-
Pressure Gauge	-
Bronze Wear Pads	-
Quick-release Hooks	-
Drilling for Load Backrest	-

# 03 FORK POSITIONERS

<b>575</b> Fork Positioner	<b>22</b>
<b>577</b> Fork Positioner with Integral Sideshift	<b>23</b>
<b>675</b> Fork Positioner	<b>24</b>
<b>676</b> Fork Positioner with Integral Sideshift	<b>25</b>
<b>598</b> Pin-Type Fork Positioner for ISO Forks with Integral Sideshift	<b>26</b>
<b>598 FS</b> Pin-Type Fork Positioner with Welded Forks and Integral Sideshift	<b>27</b>
<b>599</b> Pin-Type Fork Positioner for ISO Forks	<b>28</b>
<b>599 FS</b> Pin-Type Fork Positioner with Welded Forks	<b>29</b>
<b>673 FS</b> Double Pin-Type Fork Positioner with Welded Forks	<b>30</b>
<b>673 FS SLS</b> Double Pin-Type Fork Positioner with Welded Forks and Integral Sideshift	<b>31</b>
<b>673</b> Double Pin-Type Fork Positioner for ISO Forks	<b>32</b>
<b>673 SLS</b> Double Pin-Type Fork Positioner for ISO Forks with Integral Sideshift	<b>33</b>
<b>883</b> Wide Opening Fork Positioner	<b>34</b>
<b>883 SLS</b> Wide Opening Fork Positioner with Integral Sideshift	<b>35</b>
<b>678</b> Integrated Fork Positioner with Integral Sideshift	<b>36</b>
Accessories	<b>37</b>

### 575 Fork Positioner



#### FEATURES

- Moving housing Cylinders System (ATIB Material Handling Patent-ed) for a constant and synchronised movement of the forks. • Fast and accurate lifting and positioning of loads. • Pressure Relief Valve.
- Recommended use of forks with max length 1500 mm. • Adjustable plates for use of forks with different sections. • Reduced damage to pallets and goods. • Easier manoeuvres even in narrow spaces.

#### SPECIAL EQUIPMENT

- Special widths and/or openings. • Standard Forks. • Load Backrest.

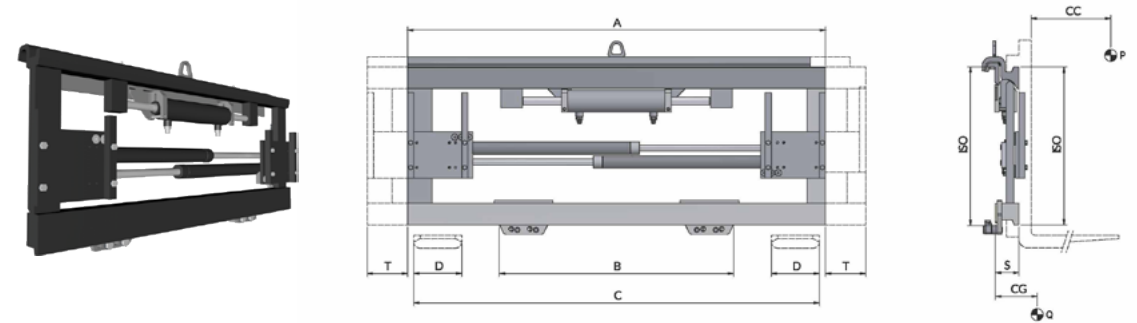
Article	Attachment Capacity	Load Centre of Gravity	ISO	Carriage Width	Minimum Fork Carriage	Opening Range		Fork Width	Thickness	Centre of Gravity	Weight	Price
Nº	P (Kg)	CC (mm)	2328	A (mm)	B (mm)	C Min (mm)	C Max (mm)	D (mm)	S (mm)	CG (mm)	Q (Kg)	€
18LFA2C0021	2500	500	2	970	720	340	920	130	70	37	88	-
18LFA2C0022	2500	500	2	1040	720	340	990	130	70	38	93	-
18LFA2C0023	2500	500	2	1150	720	340	1100	130	70	40	99	-
18LLL3C0011	5000	500	3	1150	860	380	1100	150	80	44	141	-
18LLL3C0013	5000	500	3	1250	860	380	1200	150	80	45	150	-
18LLL3C0014	5000	500	3	1350	860	380	1300	150	80	46	160	-

ISO (L/min)	2	3
Opening/Closing	5	5

Hydraulic Functions: 1  
Max working pressure: 110 Bar

Accessories page 37

### 577 Fork Positioner with Integral Sideshift



#### FEATURES

- Moving housing Cylinders System (ATIB Material Handling Patent-ed) for a constant and synchronised movement of the forks. • Fast and accurate lifting and positioning of loads. • Pressure Relief Valve.
- Recommended use of forks with max length 1500 mm. • Adjustable plates for use of forks with different sections. • Reduced damage to pallets and goods. • Easier manoeuvres even in narrow spaces.

#### SPECIAL EQUIPMENT

- Special widths and/or openings. • Standard Forks. • Load Backrest.

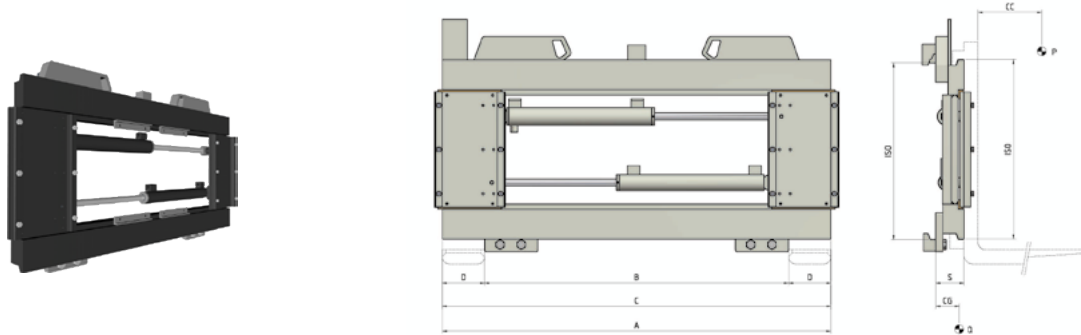
Article	Attachment Capacity	Load Centre of Gravity	ISO	Carriage Width	Minimum Fork Carriage	Opening Range		Fork Width	Stroke	Thickness	Centre Of Gravity	Weight	Price
Nº	P (Kg)	CC (mm)	2328	A (mm)	B (mm)	C Min (mm)	C Max (mm)	D (mm)	T (mm)	S (mm)	CG (mm)	Q (Kg)	€
18PFA2C2014	2500	500	2	970	920	340	920	130	± 100	62	30	80	-
18PFA2C2013	2500	500	2	1040	920	340	990	130	± 100	62	32	85	-
18PFA2C2015	2500	500	2	1150	920	340	1100	130	± 100	62	34	90	-
18PLL3C2010	5000	500	3	1150	1060	380	1100	150	± 100	75	40	130	-
18PLL3C2015	5000	500	3	1250	1060	380	1200	150	± 100	75	41	140	-
18PLL3C2016	5000	500	3	1350	1150	380	1300	150	± 100	75	42	150	-

ISO (L/min)	2	3
Shifting	10	10
Opening/Closing	5	5

Hydraulic Functions: 2  
Max working pressure: 110 Bar

Accessories page 37

### 675 Fork Positioner



#### FEATURES

- Differentiated Cylinders for a constant and synchronised movement of the forks.
- Fast and accurate lifting and positioning of loads.
- Pressure Relief Valve.
- Recommended use of forks with max length 1500 mm.
- Adjustable plates for use of forks with different sections.
- Reduced damage to pallets and goods.
- Easier manoeuvres even in narrow spaces.

#### SPECIAL EQUIPMENT

- Special widths and/or openings.
- Standard Forks.
- Load Backrest.

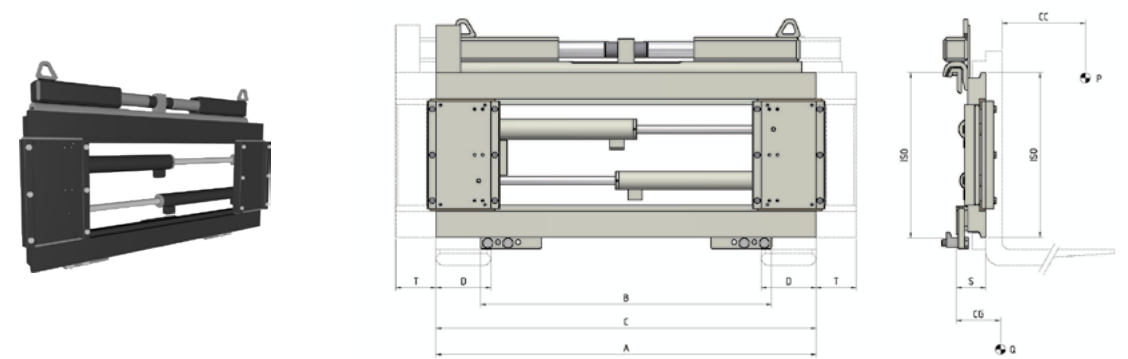
Article	Attachment Capacity	Load Centre of Gravity	ISO	Carriage Width	Minimum Fork Carriage	Opening Range		Fork Width	Thickness	Centre of Gravity	Weight	Price
Nº	P (Kg)	CC (mm)	2328	A (mm)	B (mm)	C Min (mm)	C Max (mm)	D (mm)	S (mm)	CG (mm)	Q (Kg)	€
17SLL3C0004	5000	500	3	1500	880	430	1500	150	80	46	171	-
17SLL3C0005	5000	500	3	1560	950	430	1560	150	80	46	174	-
17SLL3C0006	5000	500	3	1660	1050	430	1660	150	80	46	180	-
17SR04C0001	8000	600	4	1420	1200	560	1420	200	94	49	280	-
17SR04C0005	8000	600	4	1600	1440	560	1600	200	94	50	339	-
17SR04C0003	8000	600	4	1800	1500	560	1800	200	94	50	350	-
17SR04C0004	8000	600	4	2000	1500	560	2000	200	94	50	375	-

ISO (L/min)	3	4
Opening/Closing	20	45

Hydraulic Functions: 1  
Max working pressure: 80 Bar

Accessories page 37

### 676 Fork Positioner with Integral Sideshift



#### FEATURES

- Differentiated Cylinders for a constant and synchronised movement of the forks.
- Fast and accurate lifting and positioning of loads.
- Pressure Relief Valve.
- Recommended use of forks with max length 1500 mm.
- Adjustable plates for use of forks with different sections.
- Reduced damage to pallets and goods.
- Easier manoeuvres even in narrow spaces.

#### SPECIAL EQUIPMENT

- Special widths and/or openings.
- Standard Forks.
- Load Backrest.

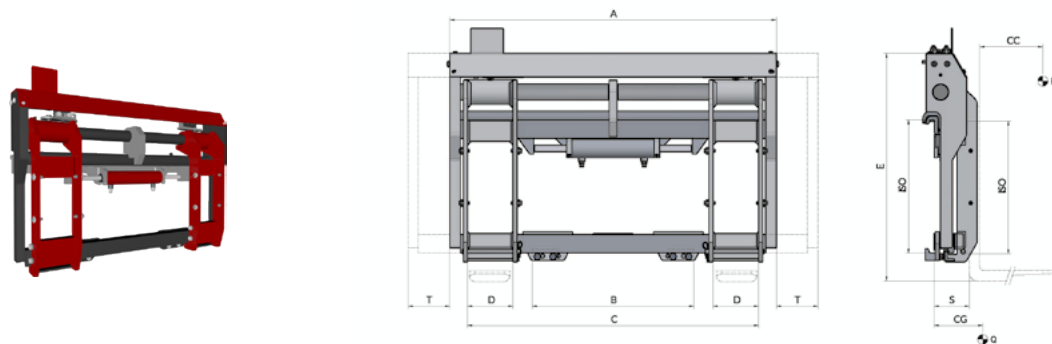
Article	Attachment Capacity	Load Centre of Gravity	ISO	Carriage Width	Minimum Fork Carriage	Opening Range		Fork Width	Stroke	Thickness	Centre of Gravity	Weight	Price
Nº	P (Kg)	CC (mm)	2328	A (mm)	B (mm)	C Min (mm)	C Max (mm)	D (mm)	T (mm)	S (mm)	CG (mm)	Q (Kg)	€
17TLL3C2004	5000	500	3	1500	1080	430	1500	150	± 100	80	46	202	-
17TLL3C2005	5000	500	3	1560	1150	430	1560	150	± 100	80	46	205	-
17TLL3C2006	5000	500	3	1660	1250	430	1660	150	± 100	80	46	210	-
17TR04C2009	8000	600	4	1420	1200	560	1420	200	± 100	94	49	313	-
17TR04C2013	8000	600	4	1600	1300	560	1600	200	± 100	94	50	374	-
17TR04C2011	8000	600	4	1800	1600	560	1800	200	± 100	94	50	383	-
17TR04C2012	8000	600	4	2000	1700	560	2000	200	± 150	94	50	409	-

ISO (L/min)	3	4
Shifting	15	18
Opening/Closing	20	45

Hydraulic Functions: 2  
Max working pressure: 80 Bar

Accessories page 37

### 598 Pin-Type Fork Positioner for ISO Forks with Integral Sideshift



#### FEATURES

- Differentiated Cylinders for a constant and synchronised movement of the forks.
- Sliding on the pin for particularly demanding use.
- Adjustable plates for use of forks with different sections.
- Pressure Relief Valve.

#### SPECIAL EQUIPMENT

- Special widths and/or openings.
- Standard or telescopic Forks.
- Load Backrest.
- Check valve for barrel grabbing.

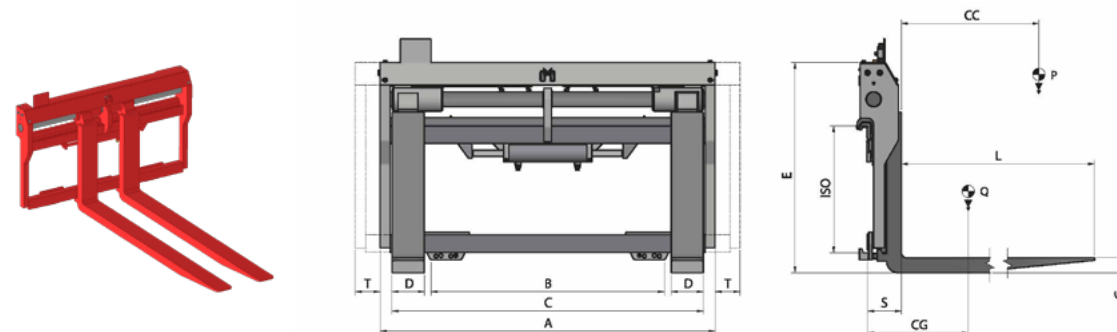
Article	Attachment Capacity	Load Centre of Gravity	ISO	Carriage Width	Minimum Fork Carriage	Opening Range	Pocket Width	Height	Stroke	Thickness	Centre of Gravity	Weight	Price	
Nº	P (Kg)	CC (mm)	2328	A (mm)	B (mm)	C Min (mm)	C Max (mm)	D (mm)	E (mm)	T (mm)	S (mm)	CG (mm)	Q (Kg)	€
18WFA2C2003	2500	500	2	980	800	365	875	145	730	± 100	102	42	141	-
18WFA2C2001	2500	500	2	1040	860	365	935	145	730	± 100	102	42	146	-
18WFA2C2007	2500	500	2	1150	970	365	1045	145	730	± 100	102	41	153	-
18WFA2C2004	2500	500	2	1300	1120	365	1195	145	730	± 100	102	40	162	-
18WFA2C2008	2500	500	2	1400	1220	365	1295	145	730	± 100	102	39	169	-
18WH23C2001	3000	500	3	1150	970	425	1045	175	840	± 100	120	49	214	-
18WH23C2002	3000	500	3	1250	1070	425	1145	175	840	± 100	120	48	222	-
18WH23C2003	3000	500	3	1350	1170	425	1245	175	840	± 100	120	47	230	-
18WLL3C2005	5000	500	3	1250	1070	435	1115	175	840	± 100	120	48	241	-
18WLL3C2004	5000	500	3	1350	1170	435	1215	175	840	± 100	120	47	253	-
18WLL3C2010	5000	500	3	1550	1370	435	1415	175	840	± 100	120	46	267	-
18WLL3C2009	5000	500	3	1660	1480	435	1525	175	840	± 100	120	45	275	-
18WLM4C2001	5000	600	4	1350	1170	480	1250	210	1060	± 100	145	61	360	-
18WLM4C2002	5000	600	4	1550	1190	480	1450	210	1060	± 100	145	60	383	-
18WLM4C2003	5000	600	4	1660	1190	480	1560	210	1060	± 100	145	59	395	-
18WLM4C2004	5000	600	4	1800	1250	480	1700	210	1060	± 100	145	58	420	-

ISO (L/min)	2	3	4
↔ Shifting	15	15	18
↔ Opening/Closing	15	20	45

Hydraulic Functions: 2  
Max working pressure: 110 Bar

Accessories page 37

### 598 FS Pin-Type Fork Positioner with Welded Forks and Integral Sideshift



#### FEATURES

- Differentiated Cylinders for a constant and synchronised movement of the forks.
- Sliding on the pin for particularly demanding use.
- Pressure Relief Valve.

#### SPECIAL EQUIPMENT

- Special widths and/or openings.
- Custom made Forks.
- Load Backrest.
- Check valve for barrel grabbing.

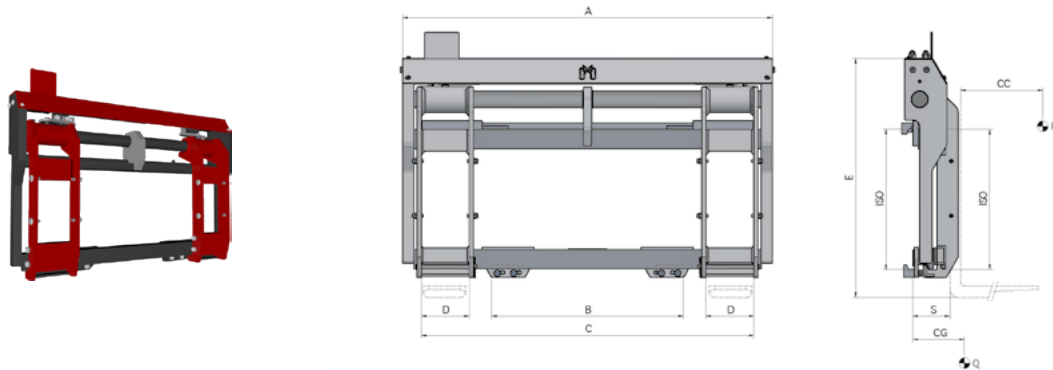
Article	Attachment Capacity	Load Centre of Gravity	ISO	Carriage Width	Minimum Fork Carriage	Opening Range	Forks	Height	Stroke	Thickness	Centre of Gravity	Weight	Price	
Nº	P (Kg)	CC (mm)	2328	A (mm)	B (mm)	C Min (mm)	C Max (mm)	DxGxL (mm)	E (mm)	T (mm)	S (mm)	CG (mm)	Q (Kg)	€
18UFA2A2009	2500	500	2a	980	800	395	905	120x40x1200	730	± 100	104	223	238	-
18UFA2A2003	2500	500	2a	1040	860	395	965	120x40x1200	730	± 100	104	220	242	-
18UFA2A2013	2500	500	2a	1150	970	395	1075	120x40x1200	730	± 100	104	215	248	-
18UH23A2001	3000	500	3a	1150	970	465	1085	120x45x1200	840	± 100	122	203	323	-
18ULL3A2003	5000	500	3a	1250	1070	475	1155	150x50x1200	840	± 100	127	222	409	-
18ULL3A2004	5000	500	3a	1350	1170	475	1255	150x50x1200	840	± 100	127	220	413	-
18ULL3A2017	5000	500	3a	1550	1370	475	1455	150x50x1200	840	± 100	127	210	437	-

ISO (L/min)	2	3
↔ Shifting	15	15
↔ Opening/Closing	15	20

Hydraulic Functions: 2  
Max working pressure: 110 Bar

Accessories page 37

### 599 Pin-Type Fork Positioner for ISO Forks



#### FEATURES

- Differentiated Cylinders for a constant and synchronised movement of the forks.
- Sliding on the pin for particularly demanding use.
- Adjustable plates for use of forks with different sections.
- Pressure Relief Valve.

#### SPECIAL EQUIPMENT

- Special widths and/or openings.
- Standard or telescopic Forks.
- Load Backrest.
- Check valve for barrel grabbing.

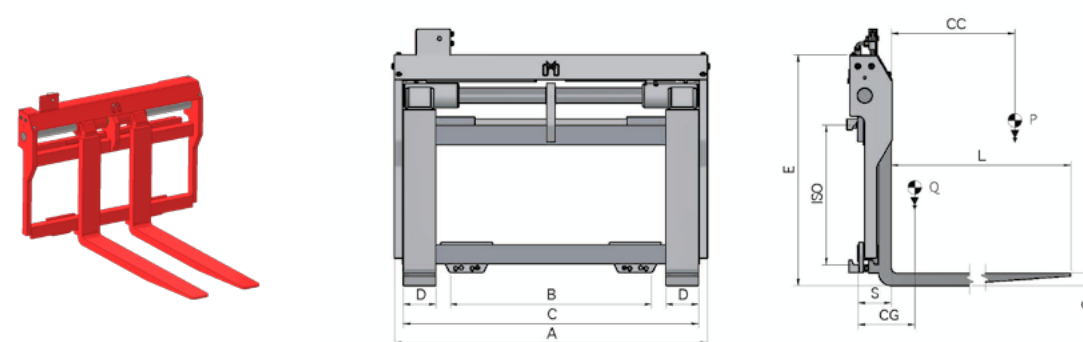
Article	Attachment Capacity	Load Centre of Gravity	ISO	Carriage Width	Minimum Fork Carriage	Opening Range		Pocket Width	Height	Thickness	Centre of Gravity	Weight	Price
Nº	P (Kg)	CC (mm)	2328	A (mm)	B (mm)	C Min (mm)	C Max (mm)	D (mm)	E (mm)	S (mm)	CG (mm)	Q (Kg)	€
18XFA2C0001	2500	500	2	980	730	365	875	145	730	102	40	149	-
18XFA2C0003	2500	500	2	1040	730	365	935	145	730	102	40	153	-
18XFA2C0004	2500	500	2	1150	730	365	1045	145	730	102	39	160	-
18XFA2C0005	2500	500	2	1300	880	365	1195	145	730	102	38	169	-
18XFA2C0006	2500	500	2	1400	980	365	1295	145	730	102	37	176	-
18XH23C0001	3000	500	3	1150	980	425	1045	175	845	120	50	211	-
18XH23C0003	3000	500	3	1250	980	425	1145	175	845	120	49	220	-
18XH23C0004	3000	500	3	1350	980	425	1245	175	845	120	48	229	-
18XLL3C0001	5000	500	3	1250	980	435	1115	175	835	120	50	235	-
18XLL3C0002	5000	500	3	1350	980	435	1215	175	835	120	49	245	-
18XLL3C0004	5000	500	3	1550	980	435	1415	175	835	120	48	265	-
18XLL3C0005	5000	500	3	1660	1210	435	1525	175	835	120	47	275	-
18XLM4C0001	5000	600	4	1350	970	480	1250	210	1060	140	57	353	-
18XLM4C0002	5000	600	4	1550	1170	480	1450	210	1060	140	55	382	-
18XLM4C0003	5000	600	4	1660	1280	480	1560	210	1060	140	54	397	-
18XLM4C0004	5000	600	4	1800	1460	480	1700	210	1060	140	53	412	-

ISO (L/min)	2	3	4
Opening/Closing	15	20	45

Hydraulic Functions: 1  
Max working pressure: 110 Bar

Accessories page 37

### 599 FS Pin-Type Fork Positioner with Welded Forks



#### FEATURES

- Differentiated Cylinders for a constant and synchronised movement of the forks.
- Sliding on the pin for particularly demanding use.
- Pressure Relief Valve.

#### SPECIAL EQUIPMENT

- Special widths and/or openings.
- Custom made Forks.
- Load Backrest.
- Check valve for barrel grabbing.

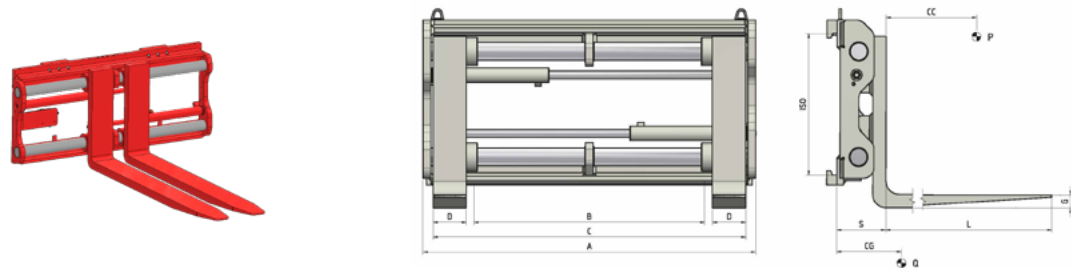
Article	Attachment Capacity	Load Centre of Gravity	ISO	Carriage Width	Minimum Fork Carriage	Opening Range		Forks	Height	Thickness	Centre of Gravity	Weight	Price
Nº	P (Kg)	CC (mm)	2328	A (mm)	B (mm)	C Min (mm)	C Max (mm)	DxGxL (mm)	E (mm)	S (mm)	CG (mm)	Q (Kg)	€
18VFA2A0005	2500	500	2a	980	800	395	905	120X40X1200	730	104	223	243	-
18VFA2A0001	2500	500	2a	1040	860	395	965	120X40X1200	730	104	220	247	-
18VFA2A0011	2500	500	2a	1150	970	395	1075	120X40X1200	730	104	215	254	-
18VH23A0002	3000	500	3a	1150	970	465	1085	120X45X1200	840	122	208	319	-
18VLL3A0004	5000	500	3a	1250	1070	475	1155	150X50X1200	840	127	233	401	-
18VLL3A0005	5000	500	3a	1350	1170	475	1255	150X50X1200	840	127	230	410	-
18VLL3A0006	5000	500	3a	1550	1370	475	1455	150X50X1200	840	127	222	427	-

ISO (L/min)	2	3
Opening/Closing	15	20

Hydraulic Functions: 1  
Max working pressure: 110 Bar

Accessories page 37

**673 FS** Double Pin-Type Fork Positioner with Welded Forks



**FEATURES**

- Flow divider for a constant and synchronised movement of the forks.
- For particularly demanding use.
- Pressure Relief Valve.

**SPECIAL EQUIPMENT**

- Special widths and/or openings.
- Custom made Forks.
- Load Backrest.
- Check valve for barrel grabbing.

Article	Attachment Capacity	Load Centre of Gravity	ISO	Carriage Width	Minimum Fork Carriage	Opening Range		Forks	Thickness	Centre of Gravity	Weight	Price
Nº	P (Kg)	CC (mm)	2328	A (mm)	B (mm)	C Min (mm)	C Max (mm)	DxGxL (mm)	S (mm)	CG (mm)	Q (Kg)	€
18YFA2A0001	2500	500	2a	980	750	360	930	120x40x1200	160	242	235	-
18YFA2A0002	2500	500	2a	1040	750	360	990	120x40x1200	160	241	245	-
18YFA2A0003	2500	500	2a	1100	750	360	1050	120x40x1200	160	239	255	-
18YFA2A0004	2500	500	2a	1150	750	360	1100	120x40x1200	160	237	265	-
18YLL3A0001	5000	500	3a	1150	880	400	1080	150x50x1200	192	262	425	-
18YLL3A0002	5000	500	3a	1250	880	400	1180	150x50x1200	192	255	440	-
18YLL3A0003	5000	500	3a	1350	1000	400	1280	150x50x1200	192	251	455	-
18YLL3A0004	5000	500	3a	1560	1210	400	1490	150x50x1200	192	239	480	-
18YLL3A0005	5000	500	3a	1660	1210	400	1590	150x50x1200	192	234	500	-
18YLM4A0004	5000	600	4a	1200	900	550	1110	150x60x1200	222	222	565	-
18YLM4A0005	5000	600	4a	1400	1100	550	1310	150x60x1200	222	220	620	-
18YR04A0001	8000	600	4a	1740	1450	550	1650	200x60x1200	220	227	750	-
18YR04A0002	8000	600	4a	1800	1500	550	1710	200x60x1200	220	225	760	-
18YR04A0003	8000	600	4a	2000	1700	550	1910	200x60x1200	220	219	800	-
18YR14A0001	8000	900	4a*	2200	2070	550	2110	200x70x1200	231	265	880	-
18YR14A0002	8000	900	4a*	2400	2070	550	2310	200x70x1200	231	245	900	-

**Accessories on request**

SLI - Sideshifting Valve (requires an additional hydraulic function)

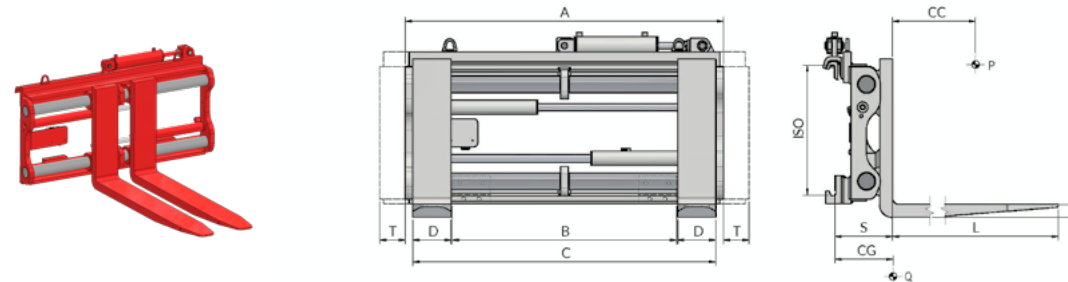
Bolt-on Forks

ISO 2	-
ISO 3	-
ISO 4	-

ISO (L/min)	2	3	4
Opening/Closing	15	20	40/45*

Hydraulic Functions: 1  
Max working pressure: 80 Bar

**673 FS SLS** Double Pin-Type Fork Positioner with Welded Forks and Integral Sideshift



**FEATURES**

- Flow divider for a constant and synchronised movement of the forks.
- For particularly demanding use.
- Pressure Relief Valve.

**SPECIAL EQUIPMENT**

- Special widths and/or openings.
- Custom made Forks.
- Load Backrest.
- Check valve for barrel grabbing.

Article	Attachment Capacity	Load Centre of Gravity	ISO	Carriage Width	Minimum Fork Carriage	Opening Range		Forks	Stroke	Thickness	Centre of Gravity	Weight	Price
Nº	P (Kg)	CC (mm)	2328	A (mm)	B (mm)	C Min (mm)	C Max (mm)	DxGxL (mm)	T (mm)	S (mm)	CG (mm)	Q (Kg)	€
18YFA2A2001	2500	500	2	980	950	360	930	120x40x1200	± 100	188	247	270	-
18YFA2A2002	2500	500	2	1040	950	360	990	120x40x1200	± 100	188	246	280	-
18YFA2A2003	2500	500	2	1100	950	360	1050	120x40x1200	± 100	188	244	290	-
18YFA2A2004	2500	500	2	1150	950	360	1100	120x40x1200	± 100	188	241	300	-
18YLL3A2001	5000	500	3	1150	950	400	1080	150x50x1200	± 100	227	265	460	-
18YLL3A2002	5000	500	3	1250	1080	400	1180	150x50x1200	± 100	227	260	475	-
18YLL3A2003	5000	500	3	1350	1050	400	1280	150x50x1200	± 100	227	254	490	-
18YLL3A2004	5000	500	3	1560	1300	400	1490	150x50x1200	± 100	227	244	520	-
18YLL3A2005	5000	500	3	1660	1300	400	1590	150x50x1200	± 100	227	239	535	-
18YLM4A2004	5000	600	4	1200	1100	550	1110	150x60x1200	± 100	255	240	620	-
18YLM4A2005	5000	600	4	1400	1100	550	1310	150x60x1200	± 100	255	232	660	-
18YR04A2001	8000	600	4	1740	1130	550	1650	200x60x1200	± 150	253	239	795	-
18YR04A2002	8000	600	4	1800	1190	550	1710	200x60x1200	± 150	253	237	805	-
18YR04A2003	8000	600	4	2000	1400	550	1910	200x60x1200	± 150	253	231	845	-
18YR14A2001	8000	900	4*	2200	2180	550	2110	200x70x1200	± 150	264	277	930	-
18YR14A2002	8000	900	4*	2400	2180	550	2310	200x70x1200	± 150	264	265	950	-

**Accessories on request**

Bolt-on Forks

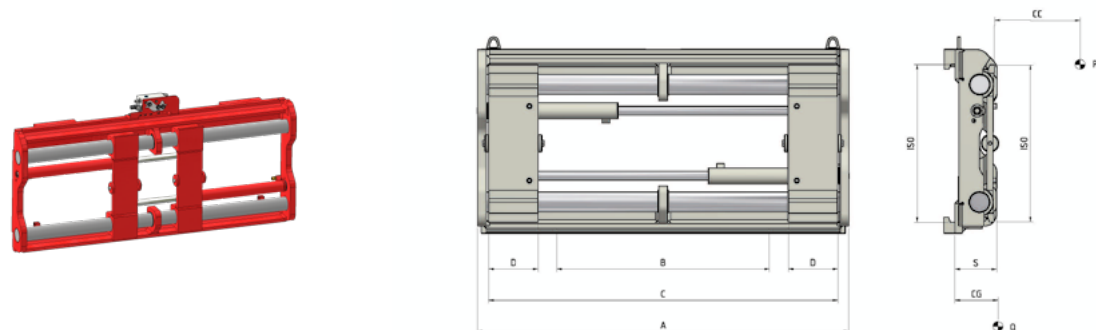
ISO 2	-
ISO 3	-
ISO 4	-

ISO (L/min)	2	3	4
Shifting	10	15	18
Opening/Closing	15	20	40/45*

Hydraulic Functions: 2  
Max working pressure: 80 Bar



**673** Double Pin-Type Fork Positioner for ISO Forks



**FEATURES**

- Flow divider for a constant and synchronised movement of the forks.
- For particularly demanding use.
- Adjustable plates for use of forks with different sections.
- Pressure Relief Valve.

**SPECIAL EQUIPMENT**

- Special widths and/or openings.
- Standard or telescopic Forks.
- Load Backrest.
- Check valve for barrel grabbing.

Article	Attachment Capacity	Load Centre of Gravity	ISO	Carriage Width	Minimum Fork Carriage	Opening Range		Fork Width	Thickness	Centre of Gravity	Weight	Price
N°	P (Kg)	CC (mm)	2328	A (mm)	B (mm)	C Min (mm)	C Max (mm)	D (mm)	S (mm)	CG (mm)	Q (Kg)	€
18ZFA2C0001	2500	500	2a	980	750	360	930	130	120	56	145	-
18ZFA2C0002	2500	500	2a	1040	750	360	990	130	120	56	155	-
18ZFA2C0003	2500	500	2a	1100	750	360	1050	130	120	55	165	-
18ZFA2C0004	2500	500	2a	1150	750	360	1100	130	120	55	175	-
18ZLL3C0003	5000	500	3a	1150	880	400	1080	150	148	71	245	-
18ZLL3C0001	5000	500	3a	1250	880	400	1180	150	148	66	260	-
18ZLL3C0004	5000	500	3a	1350	1000	400	1280	150	148	64	290	-
18ZLL3C0002	5000	500	3a	1560	1210	400	1490	150	148	58	315	-
18ZLL3C0005	5000	500	3a	1660	1210	400	1590	150	148	57	335	-
18ZLM4C0001	5000	600	4a	1200	900	550	1110	150	158	70	365	-
18ZLM4C0002	5000	600	4a	1400	1100	550	1310	150	158	68	400	-
18ZR04C0003	8000	600	4a	1740	1450	550	1650	200	158	70	480	-
18ZR04C0004	8000	600	4a	1800	1500	550	1710	200	158	70	505	-
18ZR04C0005	8000	600	4a	2000	1700	550	1910	200	158	71	525	-
18ZR14C0001	8000	900	4a*	2200	2070	550	2110	200	158	73	630	-
18ZR14C0002	8000	900	4a*	2400	2070	550	2310	200	158	72	675	-

**Accessories on request**

SLI - Sideshifting Valve (requires an additional hydraulic function)

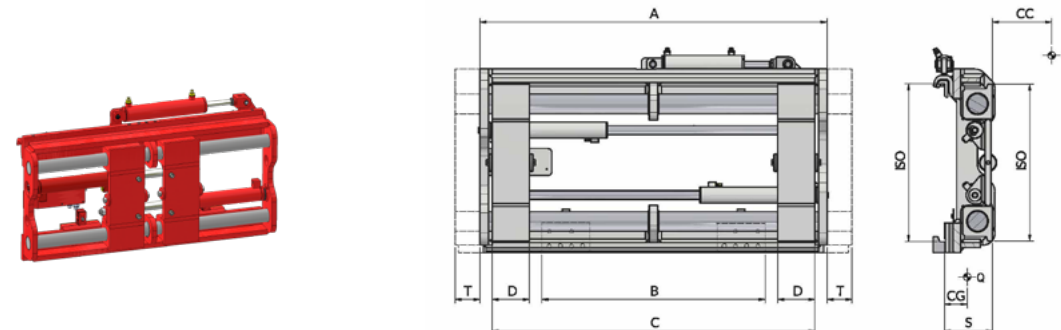
€

-

ISO (L/min)	2	3	4
Opening/Closing	15	20	40/45*

Hydraulic Functions: 1  
Max working pressure: 80 Bar

**673 SLS** Double Pin-Type Fork Positioner for ISO Forks with Integral Sideshift



**FEATURES**

- Flow divider for a constant and synchronised movement of the forks.
- For particularly demanding use.
- Adjustable plates for use of forks with different sections.
- Pressure Relief Valve.

**SPECIAL EQUIPMENT**

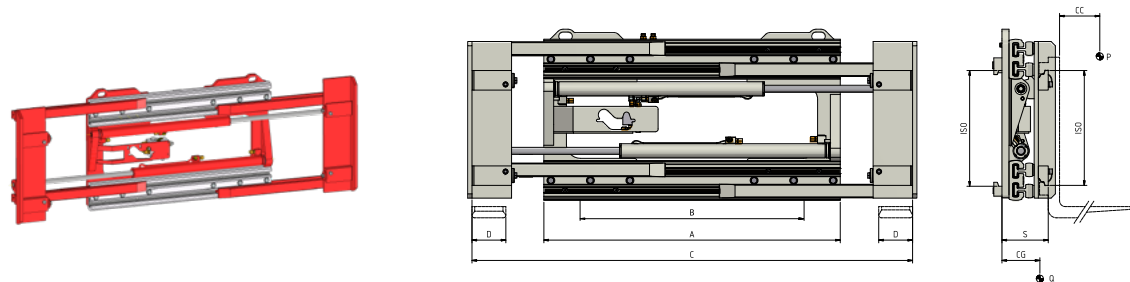
- Special widths and/or openings.
- Standard or telescopic Forks.
- Load Backrest.
- Check valve for barrel grabbing.

Article	Attachment Capacity	Load Centre of Gravity	ISO	Carriage Width	Minimum Fork Carriage	Opening Range		Fork Width	Stroke	Thickness	Centre of Gravity	Weight	Price
N°	P (Kg)	CC (mm)	2328	A (mm)	B (mm)	C Min (mm)	C Max (mm)	D (mm)	T (mm)	S (mm)	CG (mm)	Q (Kg)	€
18ZFA2C2001	2500	500	2	980	950	360	930	130	±100	148	71	180	-
18ZFA2C2002	2500	500	2	1040	950	360	990	130	±100	148	70	185	-
18ZFA2C2003	2500	500	2	1100	950	360	1050	130	±100	148	69	195	-
18ZFA2C2004	2500	500	2	1150	950	360	1100	130	±100	148	68	200	-
18ZLL3C2003	5000	500	3	1150	950	400	1080	150	±100	183	87	285	-
18ZLL3C2001	5000	500	3	1250	1080	400	1180	150	±100	183	86	305	-
18ZLL3C2004	5000	500	3	1350	1050	400	1280	150	±100	183	85	325	-
18ZLL3C2002	5000	500	3	1560	1300	400	1490	150	±100	183	85	360	-
18ZLL3C2005	5000	500	3	1660	1300	400	1590	150	±100	183	85	370	-
18ZLM4C2001	5000	600	4	1200	1100	550	1110	150	±100	193	93	410	-
18ZLM4C2002	5000	600	4	1400	1100	550	1310	150	±100	193	92	445	-
18ZR04C2003	8000	600	4	1740	1130	550	1650	200	±150	193	96	550	-
18ZR04C2004	8000	600	4	1800	1190	550	1710	200	±150	193	95	560	-
18ZR04C2005	8000	600	4	2000	1400	550	1910	200	±150	193	92	600	-
18ZR14C2001	8000	900	4*	2200	2180	550	2110	200	±150	193	96	700	-
18ZR14C2002	8000	900	4*	2400	2180	550	2310	200	±150	193	96	745	-

ISO (L/min)	2	3	4
Shifting	10	15	18
Opening/Closing	15	20	40/45*

Hydraulic Functions: 2  
Max working pressure: 80 Bar

### 883 Wide Opening Fork Positioner



#### FEATURES

- Flow divider for a constant and synchronised movement of the forks.
- It allows an opening of the forks beyond the frame of the attachment itself.
- Suitable for particularly voluminous applications, even if not palletized.

#### SPECIAL EQUIPMENT

- Special widths and/or openings.
- Standard, welded, bolted or telescopic Forks.
- Load Backrest.
- Check valve for barrel grabbing.

Article	Attachment Capacity	Load Centre of Gravity	ISO	Carriage Width	Minimum Fork Carriage	Opening Range		Fork Width	Thickness	Centre of Gravity	Weight	Price
N°	P (Kg)	CC (mm)	2328	A (mm)	B (mm)	C Min (mm)	C Max (mm)	D (mm)	S (mm)	CG (mm)	Q (Kg)	€
17PFA2C0024	2400	500	2	950	770	560	1750	130	164	63	185	-
17PFA2C0025	2400	500	2	1050	870	560	1850	130	164	64	195	-
17PH23C0002	3000	500	3	1050	810	560	1850	130	174	66	210	-
17PH23C0003	3000	500	3	1150	910	560	1950	130	174	65	215	-
17PLL3C0031	4500	500	3	1050	810	560	1840	150	207	85	290	-
17PLL3C0035	4500	500	3	1250	970	560	2040	150	207	83	300	-
17PLL3C0033	4500	500	3	1350	1070	560	2140	150	207	82	305	-
17PKR3C0002	4500	600	3	1200	1050	560	1960	150	235	88	470	-
17PKR3C0003	4500	600	3	1300	1050	560	2060	150	235	87	480	-
17PKR4C0001	4500	600	4	1200	810	560	1960	150	250	92	510	-
17PKR4C0002	4500	600	4	1300	910	560	2060	150	250	91	520	-
17PKR4C0003	4500	600	4	1400	1010	560	2160	150	250	90	528	-
17PQ54C0001	7000	600	4	1600	1210	560	2360	200	250	95	570	-
17PQ54C0006	7000	600	4	1800	1410	560	2560	200	250	94	588	-

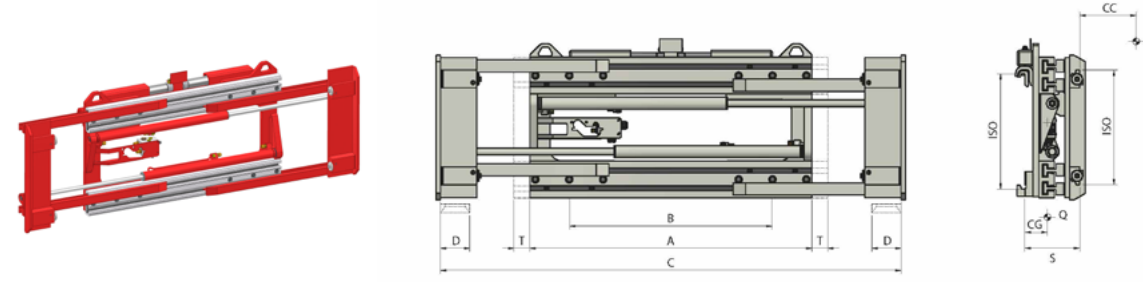
Accessories on request €

SLI - Sideshifting Valve (requires an additional hydraulic function) -

ISO (L/min)	2	3	4
Opening/Closing	15	20	45

Hydraulic Functions: 1  
Max working pressure: 80 Bar

### 883 SLS Wide Opening Fork Positioner with Integral Sideshift



#### FEATURES

- Flow divider for a constant and synchronised movement of the forks.
- It allows an opening of the forks beyond the frame of the attachment itself.
- Suitable for particularly voluminous applications, even if not palletized.

#### SPECIAL EQUIPMENT

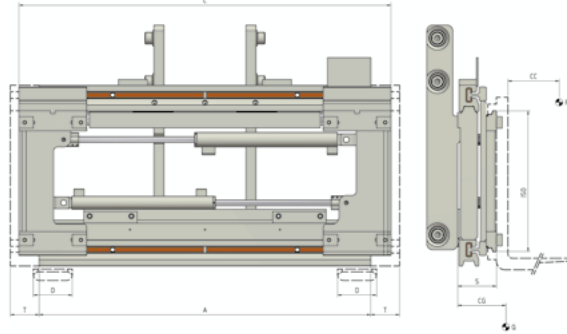
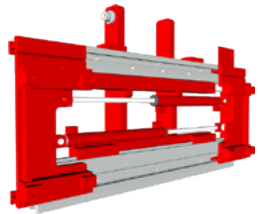
- Special widths and/or openings.
- Standard, welded, bolted or telescopic Forks.
- Load Backrest.
- Check valve for barrel grabbing.

Article	Attachment Capacity	Load Centre of Gravity	ISO	Carriage Width	Minimum Fork Carriage	Opening Range		Fork Width	Stroke	Thickness	Centre of Gravity	Weight	Price
N°	P (Kg)	CC (mm)	2328	A (mm)	B (mm)	C Min (mm)	C Max (mm)	D (mm)	T (mm)	S (mm)	CG (mm)	Q (Kg)	€
17PFA2C2024	2400	500	2	950	900	560	1750	130	± 100	192	75	220	-
17PFA2C2025	2400	500	2	1050	900	560	1850	130	± 100	192	79	225	-
17PH23C2002	3000	500	3	1050	1050	560	1850	130	± 100	209	78	260	-
17PH23C2003	3000	500	3	1150	1050	560	1950	130	± 100	209	81	275	-
17PLL3C2031	4500	500	3	1050	950	560	1840	150	± 100	242	89	340	-
17PLL3C2035	4500	500	3	1250	1100	560	2040	150	± 100	242	91	360	-
17PLL3C2033	4500	500	3	1350	1100	560	2140	150	± 100	242	97	370	-
17PKR3C2002	4500	600	3	1200	1050	560	1960	150	± 100	270	94	525	-
17PKR3C2003	4500	600	3	1300	1050	560	2060	150	± 100	270	93	530	-
17PKR4C2001	4500	600	4	1200	1100	560	1960	150	± 100	284	114	553	-
17PKR4C2002	4500	600	4	1300	1100	560	2060	150	± 100	284	113	560	-
17PKR4C2003	4500	600	4	1400	1100	560	2160	150	± 100	284	112	567	-
17PQ54C2001	7000	600	4	1600	1300	560	2360	200	± 100	284	117	645	-
17PQ54C2006	7000	600	4	1800	1300	560	2560	200	± 100	284	113	670	-
17PQ54C2022	7000	600	4	1600	1400	560	2360	200	± 150	284	117	650	-
17PQ54C2019	7000	600	4	1800	1400	560	2560	200	± 150	284	113	675	-

ISO (L/min)	2	3	4
Shifting	10	15	18
Opening/Closing	15	20	45

Hydraulic Functions: 2  
Max working pressure: 80 Bar

**678** Integrated Fork Positioner with Integral Sideshift



**FEATURES**

• Differentiated Cylinders for a constant and synchronised movement of the forks. • It can be integrated in the mast, replacing the original fork carriage, reducing thickness and increasing Forklift residual capacity.

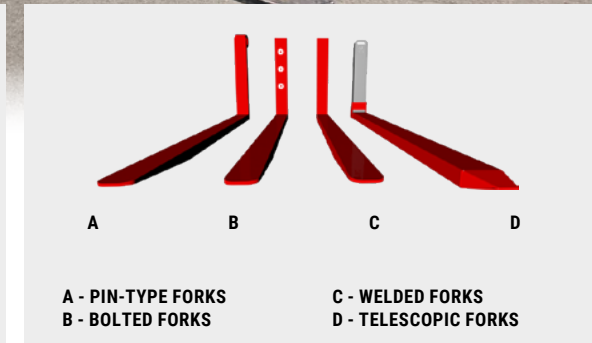
**SPECIAL EQUIPMENT**

• Special widths and/or openings. • ISO 2328 coupling. • Standard, welded, bolted or telescopic Forks. • Load Backrest. • Check valve for barrel grabbing. • No Sideshift.

Article	Attachment Capacity	Load Centre of Gravity	ISO	Carriage Width	External Plates Opening Range		Fork Width	Stroke	Thickness	Centre of Gravity	Weight	Price
Nº	P (Kg)	CC (mm)	2328	A (mm)	C Min (mm)	C Max (mm)	D (mm)	T (mm)	S (mm)	CG (mm)	Q (Kg)	€
17UFA2A2001	2500	500	2	980	490	1120	130	± 100	134	65	195	-
17UFA2A2002	2500	500	2	1040	490	1180	130	± 100	134	65	200	-
17UFA2A2003	2500	500	2	1100	490	1240	130	± 100	134	66	210	-
17UFA2A2005	2500	500	2	1150	490	1290	130	± 100	134	66	217	-
17UFA2A2006	2500	500	2	1350	490	1490	130	± 100	134	67	242	-
17UH23A2001	3000	500	3	1150	490	1290	130	± 100	145	70	225	-
17UH23A2002	3000	500	3	1350	490	1490	130	± 100	145	71	260	-
17UH23A2003	3000	500	3	1550	490	1690	130	± 100	145	72	285	-
17UH23A2004	3000	500	3	1650	490	1790	130	± 100	145	72	300	-
17ULL3A2004	5000	500	3	1150	490	1290	150	± 100	170	79	335	-
17ULL3A2001	5000	500	3	1350	490	1490	150	± 100	170	80	360	-
17ULL3A2002	5000	500	3	1550	490	1690	150	± 100	170	81	395	-
17ULL3A2003	5000	500	3	1650	490	1790	150	± 100	170	82	410	-

ISO (L/min)	2	3
Shifting	10	15
Opening/Closing	15	20

**Hydraulic Functions: 2**  
**Max working pressure: 80 Bar**



**Accessories on request**

Hoses and Fitting Kit (for each hydraulic function)	-
Hoses and quick-release Couplings Kit (for each hydraulic function)	-
Pressure Gauge	-
Bronze Wear Pads	-
Quick-release Hooks	-
Drilling for Load Backrest	-
Solenoid valve two functions with Electric Kit (specify voltage)	-
Check valve for barrel grabbing	-
Automatic Greasing System for Semi-Integral Sideshift	-

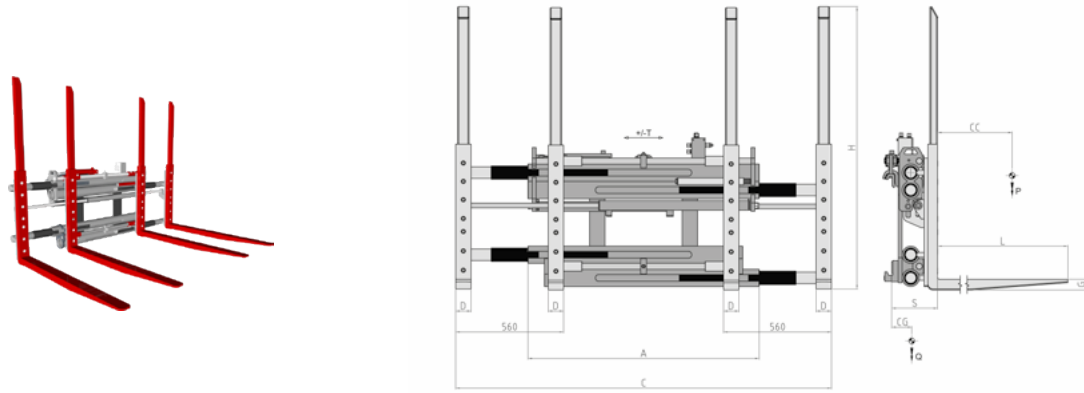
# 04

## MULTIPALLET HANDLERS

<b>917.T2</b> Double Fork Positioner with Semi-Integral Sideshift (1-2 Pallets)	40
<b>917.T4</b> Double Fork Positioner with Semi-Integral Sideshift (1-2-4 Pallets)	41
<b>917.2</b> Double Fork Positioner (1-2 Pallets)	42
<b>917.4</b> Double Fork Positioner (1-2-4 Pallets)	43
<b>918.T</b> Triple Fork Positioner with Semi-Integral Sideshift (1-2-3 Pallets)	44
<b>918</b> Triple Fork Positioner (1-2-3 Pallets)	45
<b>107.2</b> Twin Sideshift	46
<b>107.3</b> Triple Sideshift	47

Accessories	49
-------------	----

**917.T2** Double Fork Positioner with Semi-Integral Sideshift (1-2 Pallets)



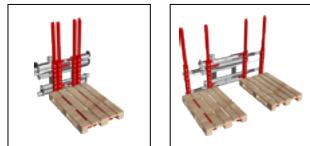
**FEATURES**

- One or two pallets side by side.
- Smaller frame ease dimension.
- 4 bolt-on forks supplied with reinforced heel and load backrest, for easier replacement operations.
- Easier and safer manoeuvres, even in narrow spaces.

**SPECIAL EQUIPMENT**

- Special widths and/or strokes.
- Custom made Forks.
- Custom made Load Backrest.
- Load Stabiliser with custom made dimensions/openings.

Article	Attachment Capacity	Load Centre of Gravity	ISO	Carriage Width	Opening Range		Forks	Forks Height	Stroke	Thickness	Centre of Gravity	Weight	Price
Nº	P (Kg)	CC (mm)	2328	A (mm)	C Min (mm)	C Max (mm)	DxGxL (mm)	H (mm)	T (mm)	S (mm)	CG (mm)	Q (Kg)	€
15REA2A1004	2200	600	2a	1200	560	1940	80x40x1150	1460	± 100	224	205	480	-
15RFB2A1005	2500	600	2a	1200	560	1940	80x50x1150	1460	± 100	234	220	550	-
15RFB3A1005	2600	600	3a	1200	560	1940	80x50x1150	1460	± 100	234	210	550	-
15RHF3A1005	3200	600	3a	1200	560	1940	80x60x1150	1460	± 100	254	220	635	-
15RJV3A1003	4000	600	3a	1400	560	1940	80x60x1150	1460	± 100	254	195	650	-

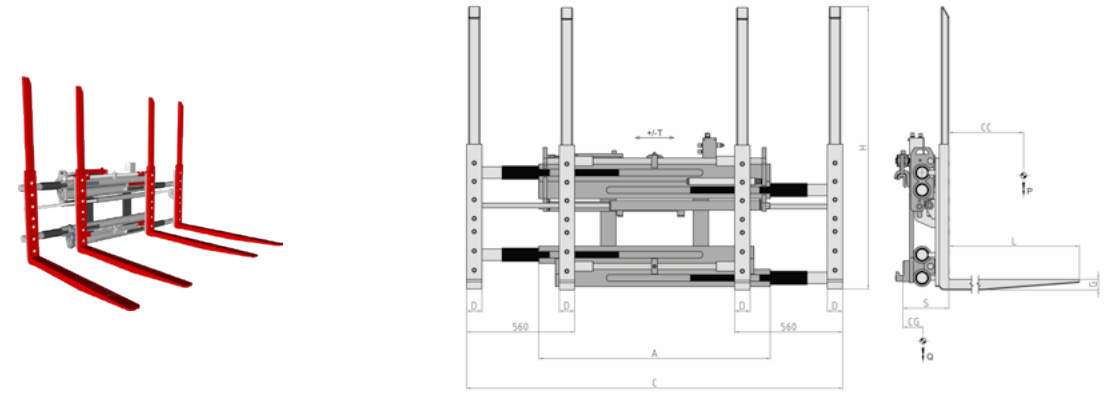


ISO (L/min)	2	3
Shifting	15	15
Opening/Closing	45	45

Hydraulic Functions: 2  
Max working pressure: 200 Bar

Accessories page 49

**917.T4** Double Fork Positioner with Semi-Integral Sideshift (1-2-4 Pallets)



**FEATURES**

- One or two pallets side by side and two or four pallets in double depth.
- Smaller frame ease dimension.
- 4 bolt-on forks supplied with reinforced heel and load backrest, for easier replacement operations.
- Easier and safer manoeuvres, even in narrow spaces.

**SPECIAL EQUIPMENT**

- Special widths and/or strokes.
- Custom made Forks.
- Custom made Load Backrest.
- Load Stabiliser with custom made dimensions/openings.

Article	Attachment Capacity	Load Centre of Gravity	ISO	Carriage Width	Opening Range		Forks	Forks Height	Stroke	Thickness	Centre of Gravity	Weight	Price
Nº	P (Kg)	CC (mm)	2328	A (mm)	C Min (mm)	C Max (mm)	DxGxL (mm)	H (mm)	T (mm)	S (mm)	CG (mm)	Q (Kg)	€
15RFC3A1001	2500	1200	3a	1400	560	1940	80x60x2400	1460	± 100	225	480	1050	-
15RJ64A1001	3600	1200	4a	1400	560	1940	80x70x2400	1460	± 150	235	435	1320	-
15RKY4A1001	4600	1200	4a	1400	560	1940	80x70x2400	1460	± 150	235	445	1380	-

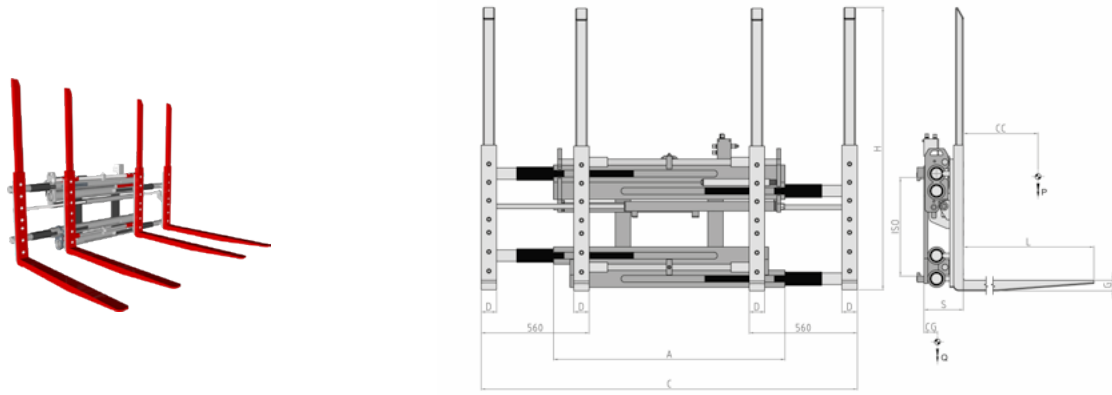


ISO (L/min)	3	4
Shifting	15	20
Opening/Closing	45	45

Hydraulic Functions: 2  
Max working pressure: 200 Bar

Accessories page 49

917.2 Double Fork Positioner (1-2 Pallets)



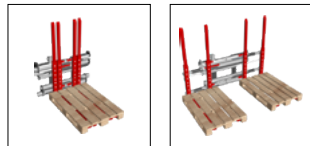
FEATURES

- One or two pallets side by side.
- Smaller frame ease dimension.
- 4 bolt-on forks supplied with reinforced heel and load backrest, for easier replacement operations.
- Easier and safer manoeuvres, even in narrow spaces.

SPECIAL EQUIPMENT

- Special widths and/or strokes.
- Custom made Forks.
- Custom made Load Backrest.
- Load Stabiliser with custom made dimensions/openings.

Article	Attachment Capacity	Load Centre of Gravity	ISO	Carriage Width	Opening Range		Forks	Forks Height	Thickness	Centre of Gravity	Weight	Price
Nº	P (Kg)	CC (mm)	2328	A (mm)	C Min (mm)	C Max (mm)	DxGxL (mm)	H (mm)	S (mm)	CG (mm)	Q (Kg)	€
15REA2A0004	2200	600	2a	1200	560	1940	80x40x1150	1460	154	190	450	-
15RFB2A0005	2500	600	2a	1200	560	1940	80x50x1150	1460	164	205	495	-
15RFB3A0005	2600	600	3a	1200	560	1940	80x50x1150	1460	164	210	535	-
15RHF3A0005	3200	600	3a	1200	560	1940	80x60x1150	1460	174	220	605	-
15RJV3A0003	4000	600	3a	1400	560	1940	80x60x1150	1460	174	195	620	-

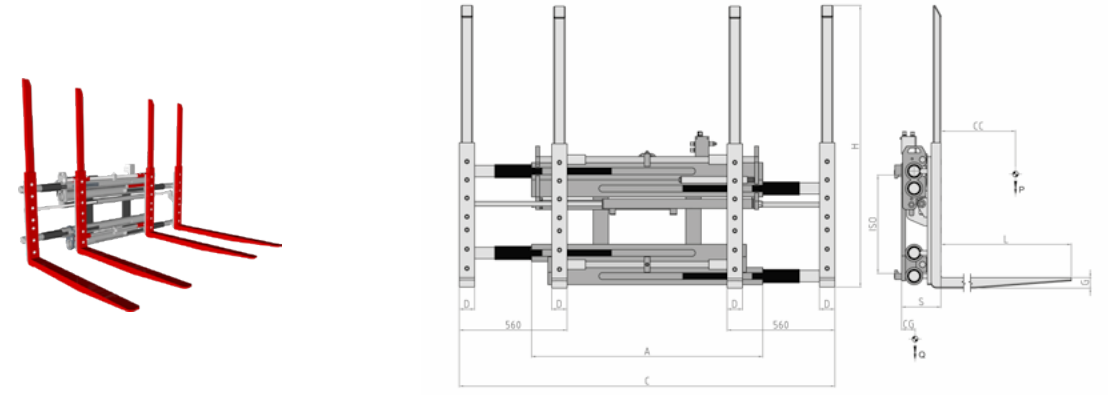


ISO (L/min)	2	3
Opening/Closing	45	45

Hydraulic Functions: 1  
Max working pressure: 200 Bar

Accessories page 49

917.4 Double Fork Positioner (1-2-4 Pallets)



FEATURES

- One or two pallets side by side and two or four pallets in double depth.
- Smaller frame ease dimension.
- 4 bolt-on forks supplied with reinforced heel and load backrest, for easier replacement operations.
- Easier and safer manoeuvres, even in narrow spaces.

SPECIAL EQUIPMENT

- Special widths and/or strokes.
- Custom made Forks.
- Custom made Load Backrest.
- Load Stabiliser with custom made dimensions/openings.

Article	Attachment Capacity	Load Centre of Gravity	ISO	Carriage Width	Opening Range		Forks	Forks Height	Thickness	Centre of Gravity	Weight	Price
Nº	P (Kg)	CC (mm)	2328	A (mm)	C Min (mm)	C Max (mm)	DxGxL (mm)	H (mm)	S (mm)	CG (mm)	Q (Kg)	€
15RFC3A0001	2500	1200	3a	1400	560	1940	80x60x2400	1460	200	480	980	-
15RJ64A0001	3600	1200	4a	1400	560	1940	80x70x2400	1460	210	435	1250	-
15RKY4A0001	4600	1200	4a	1400	560	1940	80x70x2400	1460	210	445	1310	-

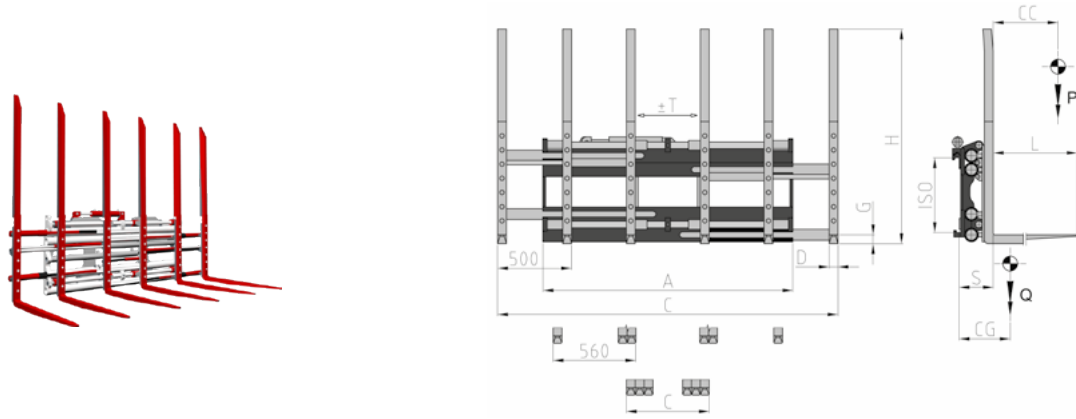


ISO (L/min)	3	4
Opening/Closing	45	45

Hydraulic Functions: 1  
Max working pressure: 200 Bar

Accessories page 49

**918.T** Triple Fork Positioner with Semi-Integral Sideshift (1-2-3 Pallets)



**FEATURES**

• One, two or three pallets side by side. • Smaller frame ease dimension. • 6 bolt-on forks supplied with reinforced heel and load backrest, for easier replacement operations. • Easier and safer manoeuvres, even in narrow spaces.

**SPECIAL EQUIPMENT**

• Special widths and/or strokes. • Custom made Forks. • Custom made Load Backrest. • Load Stabiliser with custom made dimensions/openings.

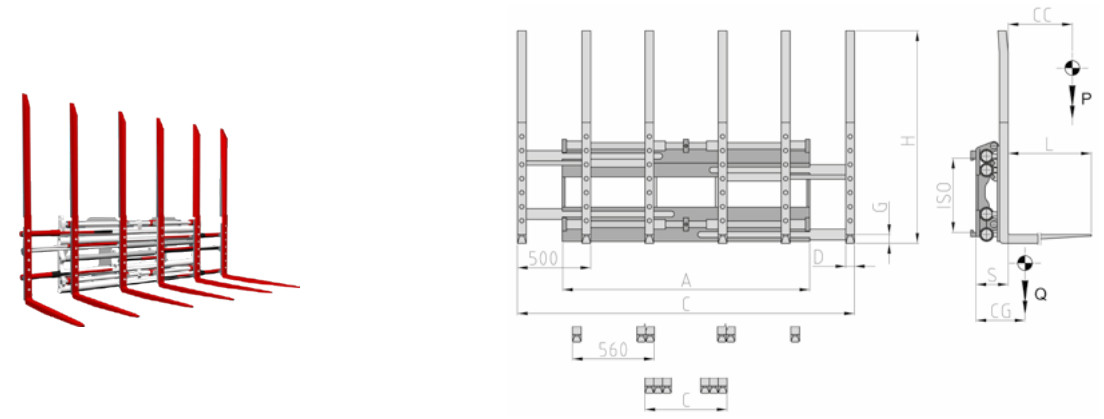
Article	Attachment Capacity	Load Centre of Gravity	ISO	Carriage Width	Opening Range		Forks	Forks Height	Stroke	Thickness	Centre of Gravity	Weight	Price
Nº	P (Kg)	CC (mm)	2328	A (mm)	C Min (mm)	C Max (mm)	DxGxL (mm)	H (mm)	T (mm)	S (mm)	CG (mm)	Q (Kg)	€
15SH33A1001	3000	600	3a	1630	560	2285	60x50x1150	1460	± 100	245	205	820	-
15SH33A1002	3000	600	3a	1795	560	2450	60x50x1150	1460	± 100	250	200	840	-
15SJ53A1001	3600	600	3a	1630	560	2285	60x60x1150	1460	± 100	248	240	860	-
15SJ53A1002	3600	600	3a	1795	560	2450	60x60x1150	1460	± 100	248	237	880	-
15SJ53A1003	3600	600	3a	2285	560	2940	60x60x1150	1460	± 100	248	225	980	-

ISO (L/min)	3
Shifting	20
Opening/Closing	45

Hydraulic Functions: 2  
Max working pressure: 200 Bar

Accessories page 49

**918** Triple Fork Positioner (1-2-3 Pallets)



**FEATURES**

• One, two or three pallets side by side. • Smaller frame ease dimension. • 6 bolt-on forks supplied with reinforced heel and load backrest, for easier replacement operations. • Easier and safer manoeuvres, even in narrow spaces.

**SPECIAL EQUIPMENT**

• Special widths and/or strokes. • Custom made Forks. • Custom made Load Backrest. • Load Stabiliser with custom made dimensions/openings.

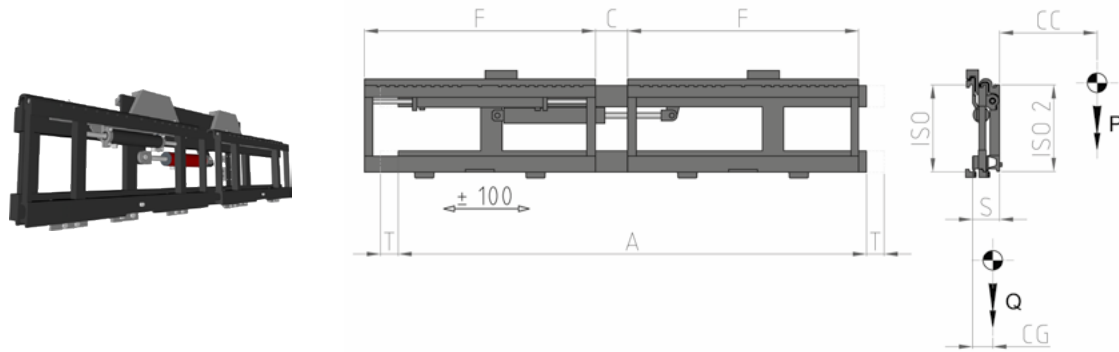
Article	Attachment Capacity	Load Centre of Gravity	ISO	Carriage Width	Opening Range		Forks	Forks Height	Thickness	Centre of Gravity	Weight	Price
Nº	P (Kg)	CC (mm)	2328	A (mm)	C Min (mm)	C Max (mm)	DxGxL (mm)	H (mm)	S (mm)	CG (mm)	Q (Kg)	€
15SH33A0001	3000	600	3a	1630	560	2285	60x50x1150	1460	209	198	715	-
15SH33A0002	3000	600	3a	1795	560	2450	60x50x1150	1460	209	218	760	-
15SJ53A0001	3600	600	3a	1630	560	2285	60x60x1150	1460	219	225	755	-
15SJ53A0002	3600	600	3a	1795	560	2450	60x60x1150	1460	219	217	815	-
15SJ53A0003	3600	600	3a	2285	560	2940	60x60x1150	1460	219	210	900	-

ISO (L/min)	3
Opening/Closing	45

Hydraulic Functions: 1  
Max working pressure: 200 Bar

Accessories page 49

### 107.2 Twin Sideshift



#### FEATURES

- Handling of multiple pallets side by side.
- Handling of 2/4 pallets simultaneously, depending on the type of forks installed.
- Rear shifting structure with a connected fixed carriage and an additional shifting carriage.
- Easier and safer manoeuvres, even in narrow spaces.

#### SPECIAL EQUIPMENT

- Special widths and/or strokes.
- Custom made Forks.
- Custom made Load Backrest.
- Load Stabiliser with custom made dimensions/openings.

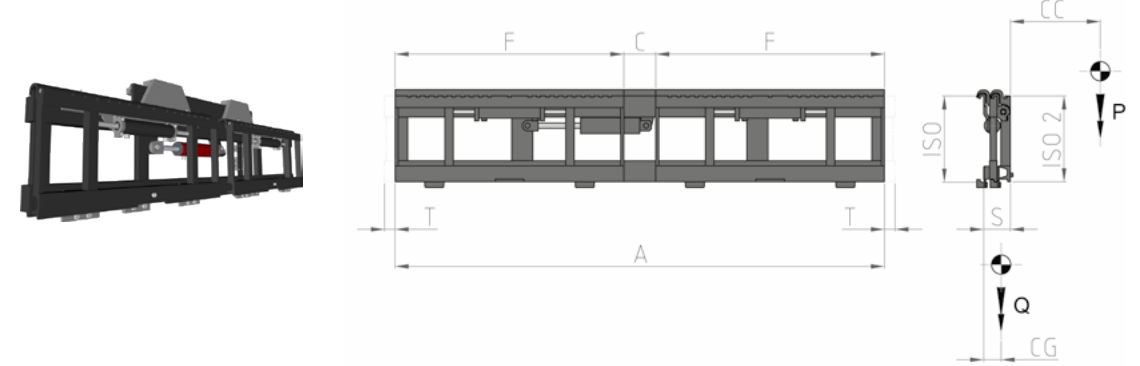
Article	Attachment Capacity	Load Centre of Gravity	ISO	Carriage Width		Distance		Stroke	Thickness	Centre of Gravity	Weight	Price
				A (mm)	F (mm)	C Min (mm)	C Max (mm)					
N°	P (Kg)	CC (mm)	2328	A (mm)	F (mm)	C Min (mm)	C Max (mm)	T (mm)	S (mm)	CG (mm)	Q (Kg)	€
15GFA2C3001	2500	500	2	1610	800	10	160	± 100	125	67	234	-
15GFA2C3002	2500	500	2	1980	980	10	220	± 100	125	68	276	-
15GHY7C3002	3500	500	3	1980	980	20	220	± 100	144	77	382	-
15GHY7C3003	3500	500	3	2080	980	100	300	± 100	144	80	390	-

ISO (L/min)	2	3
Shifting	15	15

Hydraulic Functions: 2  
Max working pressure: 200 Bar

Accessories page 49

### 107.3 Triple Sideshift



#### FEATURES

- Handling of multiple pallets side by side.
- Handling of 2/4 pallets simultaneously, depending on the type of forks installed.
- Rear shifting structure with two connected shifting carriages.
- Easier and safer manoeuvres, even in narrow spaces.

#### SPECIAL EQUIPMENT

- Special widths and/or strokes.
- Custom made Forks.
- Custom made Load Backrest.
- Load Stabiliser with custom made dimensions/openings.

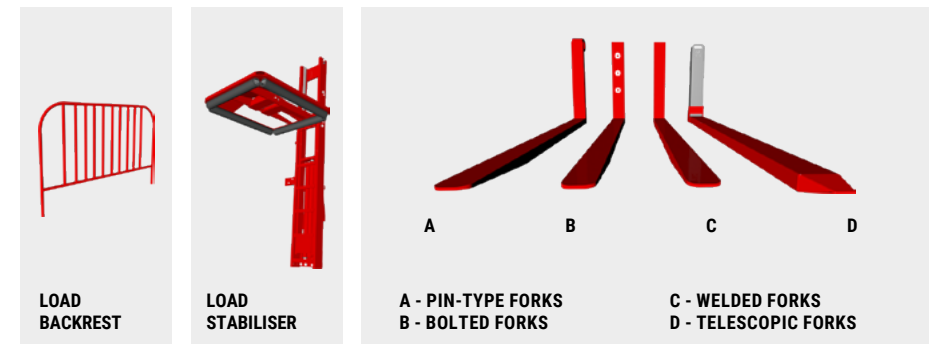
Article	Attachment Capacity	Load Centre of Gravity	ISO	Carriage Width		Distance		Stroke	Thickness	Centre of Gravity	Weight	Price
				A (mm)	F (mm)	C Min (mm)	C Max (mm)					
N°	P (Kg)	CC (mm)	2328	A (mm)	F (mm)	C Min (mm)	C Max (mm)	T (mm)	S (mm)	CG (mm)	Q (Kg)	€
15AFA2C0001	2500	500	2	1610	800	10	310	± 100	125	68	239	-
15AFA2C0002	2500	500	2	2100	980	20	420	± 100	125	68	286	-
15AHY7C0001	3500	500	3	2100	980	20	420	± 100	144	78	400	-
15AHY7C0002	3500	500	3	2180	980	100	500	± 100	144	80	408	-

ISO (L/min)	2	3
Shifting	15	15

Hydraulic Functions: 2  
Max working pressure: 200 Bar

Accessories page 49





**LOAD BACKREST**

**LOAD STABILISER**

**A - PIN-TYPE FORKS  
B - BOLTED FORKS**

**C - WELDED FORKS  
D - TELESCOPIC FORKS**

Accessories on request	€
Hoses and Fitting Kit (for each hydraulic function)	-
Hoses and quick-release Couplings Kit (for each hydraulic function)	-
Pressure Gauge	-
Bronze Wear Pads	-
Quick-release Hooks	-
Solenoid valve two functions with Electric Kit (specify voltage)	-
Automatic Greasing System for Semi-Integral Sideshift	-

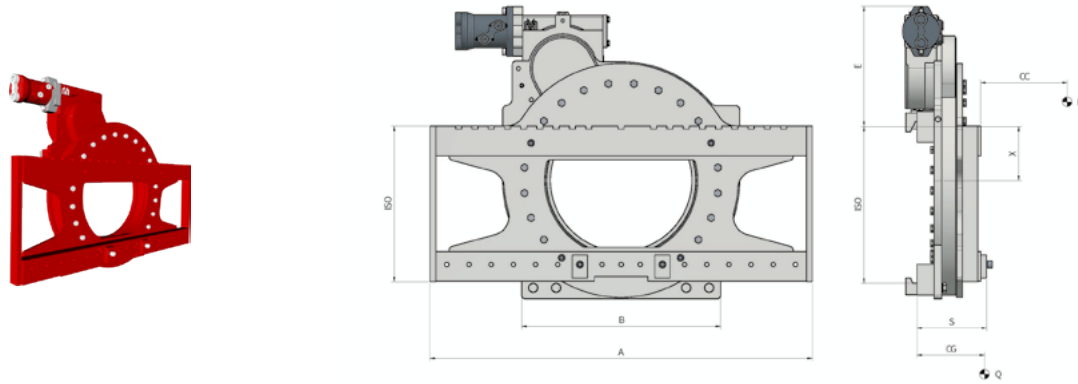
# 05 ROTATORS

<b>301</b> 360° Rotator	<b>52</b>
<b>301 SLS</b> 360° Rotator with Integral Sideshift	<b>53</b>
<b>301 RFI</b> 360° Rotator with Integral Fork Positioner	<b>54</b>
<b>301 RFI SLS</b> 360° Rotator with Integral Fork Positioner and Integral Sideshift	<b>55</b>
<b>301 PPT</b> 360° Rotator with Integral Fork Positioner and Pin-Type Forks	<b>56</b>
<b>301 PPT SLS</b> 360° Rotator with Integral Fork Positioner, Pin-Type Forks and Integral Sideshift	<b>57</b>
<b>213</b> 360° Box Rotator with upper restraint arm	<b>58</b>
<b>219</b> 360° Box Rotator with L-shaped arm	<b>59</b>

Accessories

**61**

301 360° Rotator



FEATURES

• Continuous rotation of 360° in both directions. • Recommended use of forks with reinforced lower hooks.

SPECIAL EQUIPMENT

• Special widths and/or strokes. • Forks. • Load Backrest. • Pin-Type Forks. • Special versions for Agriculture, Fish Industry and Foundries.

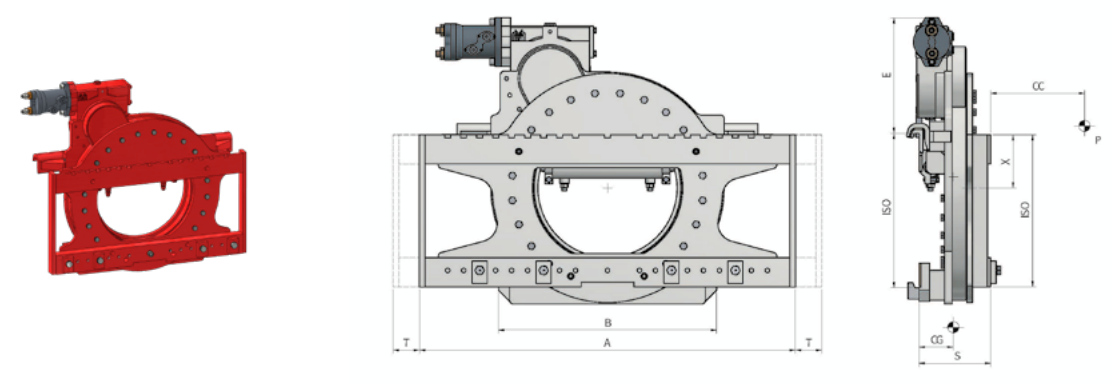
Article	Attachment Capacity	Load Centre of Gravity	ISO	Carriage Width	Height	Minimum Fork Carriage	Rotation Centre	Oil Volume	Torque	Thickness	Centre of Gravity	Weight	Price
Nº	P (Kg)	CC (mm)	2328	A (mm)	E (mm)	B (mm)	X (mm)	V (L/Spin)	Nm P (100 bar)	S (mm)	CG (mm)	Q (Kg)	€
23EC42C0002	1600	500	2	1000	314	580	141	8.1	6700	167	78	184	-
23EE82C0002	2200	500	2	1100	314	580	141	8.1	6700	167	79	187	-
23EH23C0002	3000	500	3	1150	335,5	750	185	8.8	7400	177	80	310	-
23EHS3C0002	3400	500	3	1270	335,5	750	185	8.8	12300	177	81	320	-
23EK63C0024	4200	500	3	1400	335,5	750	185	8.8	12300	177	83	330	-
23EL83C0002	4800	500	3	1660	335,5	750	185	8.8	12300	177	86	340	-
23EKR4C0001	4500	600	4	1350	305,5	1060	235	12	13000	203	93	576	-
23ELM4C0001	5000	600	4	1600	305,5	1060	235	12	13000	203	95	600	-
23END4C0001	5500	600	4	1800	305,5	1060	235	14	14100	203	92	670	-
23EQ54C0001	7000	600	4*	2000	287	1050	262	18	16200	231	112	838	-
23ER04C0002	8000	600	4*	2000	287	1050	262	22	24200	231	112	838	-
23ERQ5C0001	10000	600	5	2000	360	1630	224	26	29500	256	132	1450	-

ISO (L/min)	2	3	4	5
Rotation	25	25	30/35*	35

Hydraulic Functions: 1  
Max working pressure: 175 Bar

Accessories page 61

301 SLS 360° Rotator with Integral Sideshift



FEATURES

• Continuous rotation of 360° in both directions. • Recommended use of forks with reinforced lower hooks.

SPECIAL EQUIPMENT

• Special widths and/or strokes. • Forks. • Load Backrest. • Pin-Type Forks. • Special versions for Agriculture, Fish Industry and Foundries.

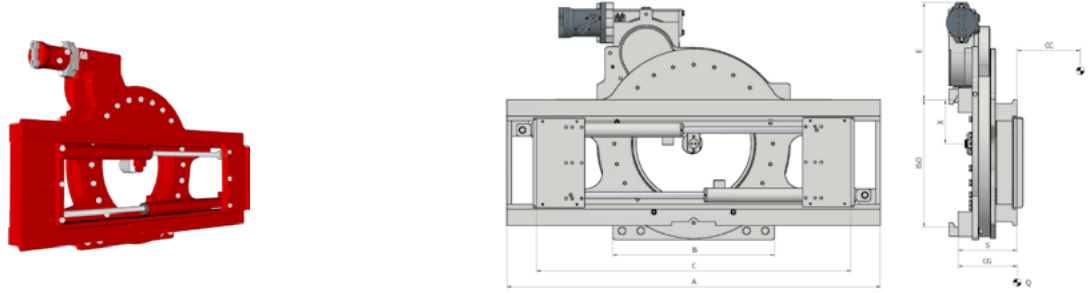
Article	Attachment Capacity	Load Centre of Gravity	ISO	Carriage Width	Height	Minimum Fork Carriage	Rotation Centre	Stroke	Oil Volume	Torque	Thickness	Centre of Gravity	Weight	Price
Nº	P (Kg)	CC (mm)	2328	A (mm)	E (mm)	B (mm)	X (mm)	T (mm)	V (L/Spin)	Nm P (100 bar)	S (mm)	CG (mm)	Q (Kg)	€
23EC42C2002	1600	500	2	1000	314	700	141	± 100	8.1	6700	190	92	227	-
23EE82C2002	2200	500	2	1100	314	700	141	± 100	8.1	6700	190	93	230	-
23EH23C2002	3000	500	3	1150	335,5	900	185	± 100	8.8	7400	217	107	347	-
23EHS3C2002	3400	500	3	1270	335,5	900	185	± 100	8.8	12300	217	108	357	-
23EK63C2024	4200	500	3	1400	335,5	900	185	± 100	8.8	12300	217	110	367	-
23EL83C2002	4800	500	3	1660	335,5	900	185	± 100	8.8	12300	217	113	377	-
23EKR4C2001	4500	600	4	1350	305,5	960	235	± 100	12	13000	264	141	628	-
23ELM4C2001	5000	600	4	1600	305,5	960	235	± 100	12	13000	264	143	652	-
23END4C2001	5500	600	4	1800	305,5	960	235	± 100	14	14100	264	140	720	-
23EQ54C2001	7000	600	4*	2000	287	1300	262	± 150	18	16200	301	162	920	-
23ER04C2002	8000	600	4*	2000	287	1300	262	± 150	22	24200	301	162	920	-
23ERQ5C2001	10000	600	5	2000	360	2000	224	± 150	26	29500	207	172	1860	-

ISO (L/min)	2	3	4	5
Shifting	10	15	18	25
Rotation	25	25	30/35*	35

Hydraulic Functions: 2  
Max working pressure: 175 Bar

Accessories page 61

**301 RFI 360° Rotator with Integral Fork Positioner**



**FEATURES**

- Continuous rotation of 360° in both directions.
- Distance between forks hydraulically adjustable.
- Suitable for loads of different sizes.
- Recommended use of forks with reinforced lower hooks.

**SPECIAL EQUIPMENT**

- Special widths and/or strokes.
- Forks.
- Load Backrest.
- Special versions for Agriculture, Fish Industry and Foundries.

Article	Attachment Capacity	Load Centre of Gravity	ISO	Carriage Width	Height	Minimum Fork Carriage	Rotation Centre	Opening Range		Torque	Thickness	Centre of Gravity	Weight	Price
N°	P (Kg)	CC (mm)	2328	A (mm)	E (mm)	B (mm)	X (mm)	C Min (mm)	C Max (mm)	Nm P (100 bar)	S (mm)	CG (mm)	Q (Kg)	€
23EC42C3001	1600	500	2	900	314	580	141	320	900	6700	189	95	236	-
23EC42C3002	1600	500	2	1000	314	580	141	320	1000	6700	189	96	246	-
23EE82C3010	2200	500	2	1000	314	580	141	320	1000	6700	189	96	246	-
23EE82C3002	2200	500	2	1100	314	580	141	320	1100	6700	189	97	256	-
23EH23C3006	3000	500	3	1100	335,5	750	185	430	1100	7400	197	99	400	-
23EH23C3002	3000	500	3	1150	335,5	750	185	430	1150	7400	197	100	406	-
23EH23C3003	3000	500	3	1270	335,5	750	185	430	1270	7400	197	101	416	-
23EHS3C3001	3400	500	3	1150	335,5	750	185	430	1150	12300	197	100	406	-
23EHS3C3002	3400	500	3	1270	335,5	750	185	430	1270	12300	197	101	416	-
23EK63C3001	4200	500	3	1270	335,5	750	185	430	1270	12300	197	101	416	-
23EK63C3002	4200	500	3	1660	335,5	750	185	430	1660	12300	197	106	436	-
23EL83C3001	4800	500	3*	1270	335,5	750	185	430	1270	12300	197	101	416	-
23EL83C3002	4800	500	3*	1660	335,5	750	185	430	1660	12300	197	106	436	-
23ELM4C3001	5000	600	4	1600	305,5	1060	235	560	1600	13000	227	117	734	-
23END4C3001	5500	600	4	1800	305,5	1060	235	560	1800	14100	227	120	760	-
23EQ54C3001	7000	600	4	2000	287	1050	262	560	2000	16200	276	140	950	-
23ER04C3002	8000	600	4	2000	287	1050	262	560	2000	24200	276	140	950	-

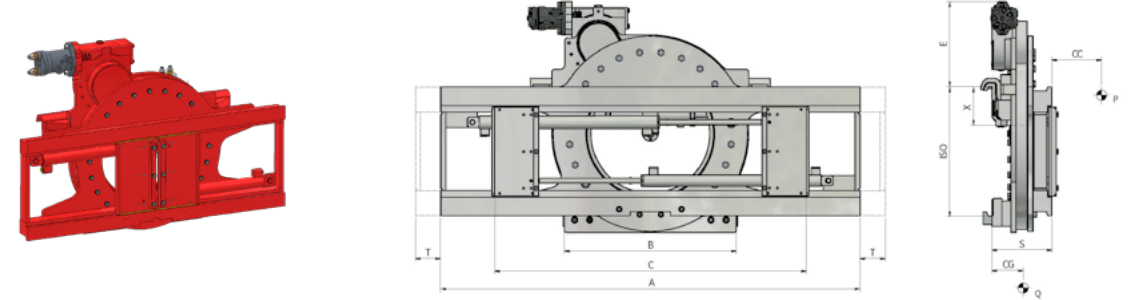
**Accessories on request**

SLI - Sideshifting Valve (requires an additional hydraulic function)

ISO (L/min)	2	3	4
Opening/Closing	25	25/30*	30
Rotation	35	35	35

**Hydraulic Functions: 2**  
**Max working pressure: 175 Bar**

**301 RFI SLS 360° Rotator with Integral Fork Positioner and Integral Sideshift**



**FEATURES**

- Continuous rotation of 360° in both directions.
- Distance between forks hydraulically adjustable.
- Suitable for loads of different sizes.
- Recommended use of forks with reinforced lower hooks.

**SPECIAL EQUIPMENT**

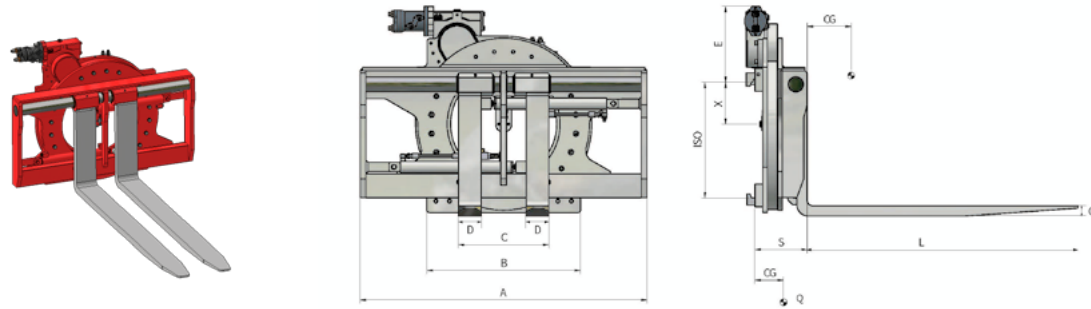
- Special widths and/or strokes.
- Forks.
- Load Backrest.
- Special versions for Agriculture, Fish Industry and Foundries.

Article	Attachment Capacity	Load Centre of Gravity	ISO	Carriage Width	Height	Minimum Fork Carriage	Rotation Centre	Opening Range		Torque	Stroke	Thickness	Centre of Gravity	Weight	Price
N°	P (Kg)	CC (mm)	2328	A (mm)	E (mm)	B (mm)	X (mm)	C Min (mm)	C Max (mm)	Nm P (100 bar)	T (mm)	S (mm)	CG (mm)	Q (Kg)	€
23EC42C4001	1600	500	2	900	314	700	141	320	900	6700	± 100	212	109	279	-
23EC42C4002	1600	500	2	1000	314	700	141	320	1000	6700	± 100	212	110	289	-
23EE82C4010	2200	500	2	1000	314	700	141	320	1000	6700	± 100	212	110	289	-
23EE82C4002	2200	500	2	1100	314	700	141	320	1100	6700	± 100	212	111	299	-
23EH23C4006	3000	500	3	1100	335,5	900	185	430	1100	7400	± 100	237	126	437	-
23EH23C4002	3000	500	3	1150	335,5	900	185	430	1150	7400	± 100	237	127	443	-
23EH23C4003	3000	500	3	1270	335,5	900	185	430	1270	7400	± 100	237	128	453	-
23EHS3C4001	3400	500	3	1150	335,5	900	185	430	1150	12300	± 100	237	127	443	-
23EHS3C4002	3400	500	3	1270	335,5	900	185	430	1270	12300	± 100	237	128	453	-
23EK63C4001	4200	500	3	1270	335,5	900	185	430	1270	12300	± 100	237	128	453	-
23EK63C4002	4200	500	3	1660	335,5	900	185	430	1660	12300	± 100	237	133	473	-
23EL83C4001	4800	500	3*	1270	335,5	900	185	430	1270	12300	± 100	237	128	453	-
23EL83C4002	4800	500	3*	1660	335,5	900	185	430	1660	12300	± 100	237	133	473	-
23ELM4C4001	5000	600	4	1600	305,5	960	235	560	1600	13000	± 100	288	167	771	-
23END4C4001	5500	600	4	1800	305,5	960	235	560	1800	14100	± 100	288	170	797	-
23EQ54C4001	7000	600	4	2000	287	1300	262	560	2000	16200	± 150	337	192	985	-
23ER04C4002	8000	600	4	2000	287	1300	262	560	2000	24200	± 150	337	192	985	-

ISO (L/min)	2	3	4
Shifting	10	15	18
Opening/Closing	25	25/30*	30
Rotation	35	35	35

**Hydraulic Functions: 3**  
**Max working pressure: 175 Bar**

**30I PPT 360° Rotator with Integral Fork Positioner and Pin-Type Forks**



**FEATURES**

- Continuous rotation of 360° in both directions.
- Suitable for loads of different sizes.
- Recommended use of forks with reinforced lower hooks.

**SPECIAL EQUIPMENT**

- Special widths and/or strokes.
- Custom made Forks.
- Load Back-rest.
- Special versions for Agriculture, Fish Industry and Foundries.

Article	Attachment Capacity	Load Centre of Gravity	ISO	Carriage Width	Height	Minimum Fork Carriage	Rotation Centre	Opening Range		Forks	Torque	Thickness	Centre of Gravity	Weight	Price
Nº	P (Kg)	CC (mm)	2328	A (mm)	E (mm)	B (mm)	X (mm)	C Min (mm)	C Max (mm)	DxGxL (mm)	Nm P (100 bar)	S (mm)	CG (mm)	Q (Kg)	€
23EC42A3003	1600	500	2a	1000	314	580	141	360	930	100x40x1200	6700	224	246	360	-
23EE82A3001	2200	500	2a	1100	314	580	141	360	1030	100x40x1200	6700	224	244	375	-
23EH23A3005	3000	500	3a	1150	335,5	750	185	400	1080	120x45x1200	7400	232	223	500	-
23EHS3A3008	3400	500	3a	1270	335,5	750	185	400	1200	120x45x1200	12300	232	220	506	-
23EK63A3009	4200	500	3a	1350	335,5	750	185	400	1280	150x50x1200	12300	237	251	550	-
23EL83A3008	4800	500	3a	1660	335,5	750	185	400	1590	150x50x1200	12300	237	247	567	-
23ELM3A3002	5000	600	3a	1350	305,5	920	185	550	1260	150x60x1200	13000	289	238	920	-
23ELM4A3005	5000	600	4a	1600	305,5	1060	262	550	1510	150x60x1200	13000	285	226	971	-
23END4A3004	5500	600	4a	1800	305,5	1060	262	550	1710	150x60x1200	14100	285	210	1100	-
23EQ54A3004	7000	600	4a	2000	287	1050	262	550	1910	150x60x1200	16200	316	240	1170	-
23ER04A3002	8000	600	4a	2000	287	1050	262	550	1910	200x60x1200	24200	316	260	1250	-

**Accessories on request**

SLI - Sideshifting Valve (requires an additional hydraulic function)

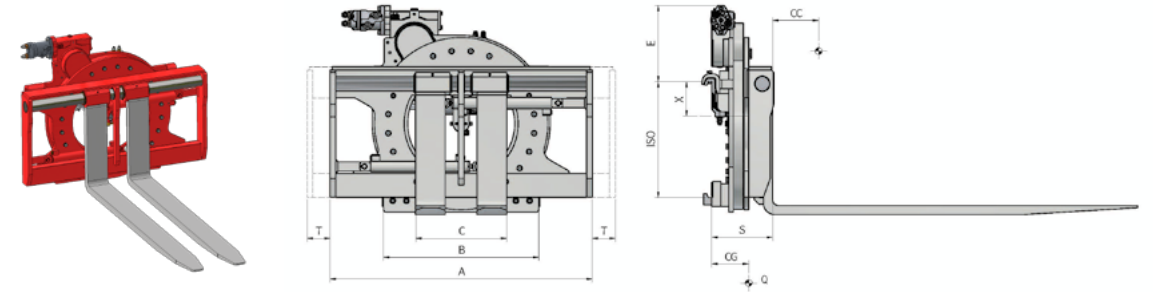
€

ISO (L/min)	2	3	4
Opening/Closing	25	25	30
Rotation	35	35	35

Hydraulic Functions: 2  
Max working pressure: 175 Bar

Accessories page 61

**30I PPT SLS 360° Rotator with Integral Fork Positioner, Pin-Type Forks and Integral Sideshift**



**FEATURES**

- Continuous rotation of 360° in both directions.
- Suitable for loads of different sizes.
- Recommended use of forks with reinforced lower hooks.

**SPECIAL EQUIPMENT**

- Special widths and/or strokes.
- Custom made Forks.
- Load Back-rest.
- Special versions for Agriculture, Fish Industry and Foundries.

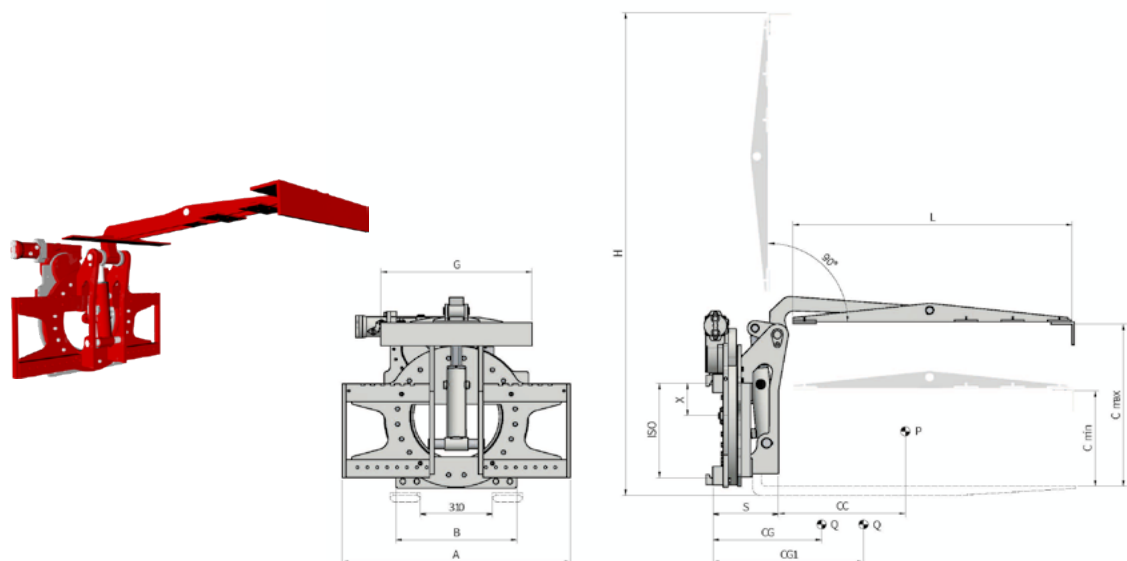
Article	Attachment Capacity	Load Centre of Gravity	ISO	Carriage Width	Height	Minimum Fork Carriage	Rotation Centre	Opening Range		Forks	Torque	Stroke	Thickness	Centre of Gravity	Weight	Price
Nº	P (Kg)	CC (mm)	2328	A (mm)	E (mm)	B (mm)	X (mm)	C Min (mm)	C Max (mm)	DxGxL (mm)	Nm P (100 bar)	T (mm)	S (mm)	CG (mm)	Q (Kg)	€
23EC42A4003	1600	500	2a	1000	314	700	141	360	930	100x40x1200	6700	± 100	246,5	254	380	-
23EE82A4001	2200	500	2a	1100	314	700	141	360	1030	100x40x1200	6700	± 100	246,5	252	395	-
23EH23A4005	3000	500	3a	1150	335,5	900	185	400	1080	120x45x1200	7400	± 100	266,5	240	543	-
23EHS3A4008	3400	500	3a	1270	335,5	900	185	400	1200	120x45x1200	12300	± 100	266,5	237	549	-
23EK63A4009	4200	500	3a	1350	335,5	900	185	400	1280	150x50x1200	12300	± 100	271,5	271	593	-
23EL83A4008	4800	500	3a	1660	335,5	900	185	400	1590	150x50x1200	12300	± 100	271,5	267	610	-
23ELM3A4002	5000	600	3a	1350	305,5	960	185	550	1260	150x60x1200	13000	± 100	364	270	950	-
23ELM4A4005	5000	600	4a	1600	305,5	960	262	550	1510	150x60x1200	13000	± 100	343,5	274	1026	-
23END4A4004	5500	600	4a	1800	305,5	960	262	550	1710	150x60x1200	14100	± 100	343,5	262	1150	-
23EQ54A4004	7000	600	4a	2000	287	1300	262	550	1910	150x60x1200	16200	± 150	386,5	270	1320	-
23ER04A4002	8000	600	4a	2000	287	1300	262	550	1910	200x60x1200	24200	± 150	386,5	293	1400	-

ISO (L/min)	2	3	4
Shifting	10	15	18
Opening/Closing	25	25	30
Rotation	35	35	35

Hydraulic Functions: 3  
Max working pressure: 175 Bar

Accessories page 61

213 360° Box Rotator with upper restraint arm



FEATURES

- Suitable for emptying boxes (bins) in any use (scrap, recycling, agricultural sector).
- Special box blocking system that can be actuated during rotation.

SPECIAL EQUIPMENT

- Special widths and/or strokes.
- Forks.
- Hooks with custom made strokes and dimensions.
- Load Backrest.

Article	Closed Attachment Capacity	Load Centre of Gravity	ISO	Carriage Width	Height	Minimum Fork Carriage	Rotation Centre	Box.h from the Forks Level	Plate Dimension	Thickness	Centre of Gravity	Centre of Gravity	Weight	Price	
Nº	P (Kg)	CC (mm)	2328	A (mm)	H (mm)	B (mm)	X (mm)	C Min (mm)	C Max (mm)	GxL (mm)	S (mm)	CG (mm)	CG1 (mm)	Q (Kg)	€
25A342A0006	2500	500	2	980	1945	500	141	360	680	650x1175	320	175	245	275	-

Accessories on request

SLS - Semi-Integral Sideshift (requires an additional hydraulic function)

€

ISO 2

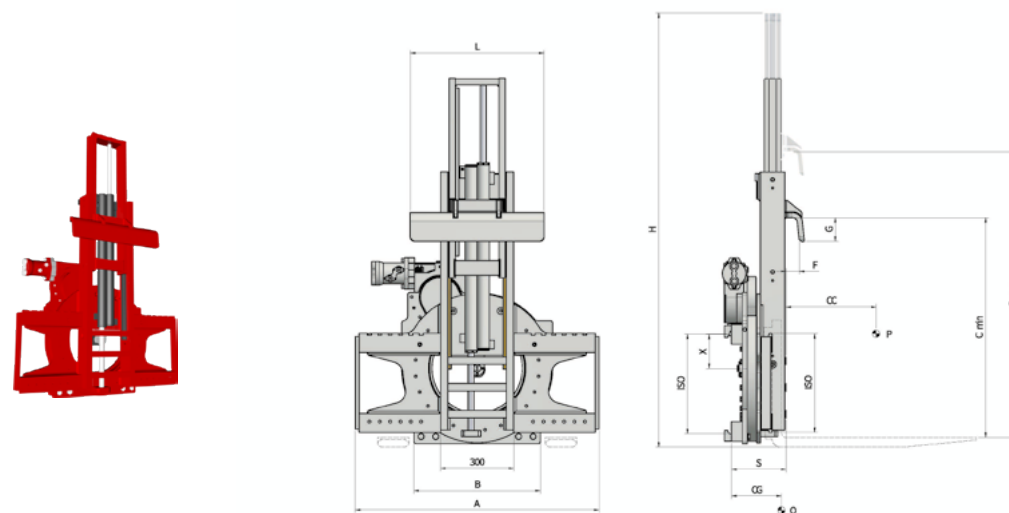
-

ISO (L/min)	2
Rotation	25
Vertical Opening/Closing	25

Hydraulic Functions: 2  
Max working pressure: 175 Bar

Accessories page 61

219 360° Box Rotator with L-shaped arm



FEATURES

- Suitable for emptying boxes (big drawers) in any use (scrap, recycling, agricultural sector).
- Special box blocking system that can be actuated during rotation.

SPECIAL EQUIPMENT

- Special widths and/or strokes.
- Forks.
- Hooks with custom made strokes and dimensions.
- Load Backrest.

Article	Attachment Capacity	Load Centre of Gravity	ISO	Carriage Width	Height	Minimum Fork Carriage	Rotation Centre	Box.h from the Forks Level	Hook Dimension	Thickness	Centre of Gravity	Weight	Price	
Nº	P (Kg)	CC (mm)	2328	A (mm)	H (mm)	B (mm)	X (mm)	C Min (mm)	C Max (mm)	FxGxL (mm)	S (mm)	CG (mm)	Q (Kg)	€
25C342A0013	2200	500	2	1000	1300	500	141	300	1000	55x100x500	225	118	310	-
25C342A0020	2200	500	2	1100	1300	500	141	300	1000	60x60x600	225	119	320	-
25C3Q3A0004	3000	500	3	1150	2100	750	185	300	1400	70x100x300	225	110	445	-

Accessories on request

SLS - Semi-Integral Sideshift (requires an additional hydraulic function)

€

ISO 2

-

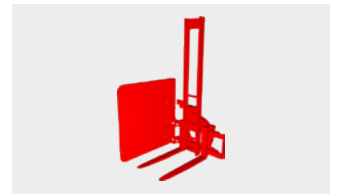
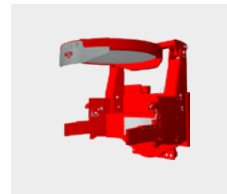
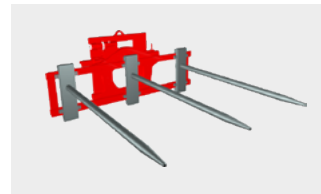
ISO 3

-

ISO (L/min)	2	3
Rotation	25	25
Vertical Opening/Closing	25	25

Hydraulic Functions: 2  
Max working pressure: 175 Bar

Accessories page 61



**Accessories on request**

€

Hoses and Fitting Kit (for each hydraulic function)	-
Hoses and quick-release Couplings Kit (for each hydraulic function)	-
Pressure Gauge	-
Bronze Wear Pads	-
Quick-release Hooks	-
Drilling for Load Backrest	-
Solenoid valve two functions with Electric Kit (specify voltage)	-
Pressure Relief Valve	-
Check valve for barrel grabbing	-
Automatic Greasing System for Semi-Integral Sideshift	-
Mechanical block of the rotation	-
Side resistant arm (1000 mm)	ISO 2 -
	ISO 3 -
	ISO 2 -
Motor protection	ISO 3 -
(mandatory in case of choice of special equipment)	ISO 4 -
	ISO 5 -
	ISO 2 -
Closing of the central opening	ISO 3 -
	ISO 4 -
	ISO 5 -
	ISO 2 -
Centralized greasing with high temperature resistant greases	ISO 3 -
	ISO 4 -
	ISO 5 -

**Special equipment**

€

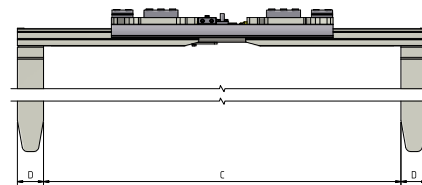
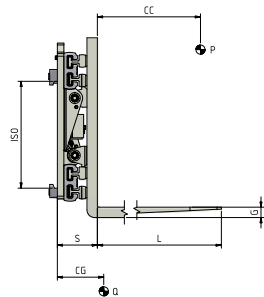
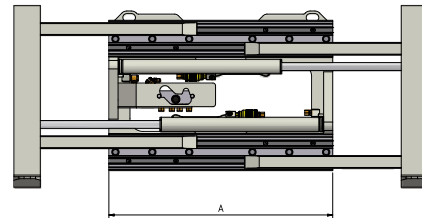
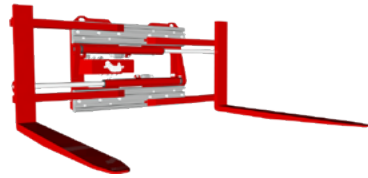
	ISO 2 -
	ISO 3 -
Foundry version (heat shield on the crown)	ISO 4 -
	ISO 5 -
	ISO 2 -
Fish Industry version	ISO 3 -
(heat shield on the crown and anti-corrosion treatment)	ISO 4 -
	ISO 5 -

# 06 CLAMPS

<b>474.170</b> Fork Clamp	<b>64</b>
<b>474.150</b> Clamp with rotating Forks	<b>66</b>
<b>474.131</b> Bale Clamp with thin blades	<b>68</b>
<b>116.131</b> Bale Clamp with thin blades	<b>70</b>
<b>474.130</b> Bale Clamp with wavy edged arms	<b>72</b>
<b>116.130</b> Bale Clamp with wavy edged arms	<b>74</b>
<b>474.137</b> Clamp with rubber covered arms	<b>76</b>
<b>474.195</b> Foam Clamp	<b>77</b>
<b>474.12.180</b> Box and Appliances Clamp with two pivoting arms	<b>78</b>
<b>474.24.180</b> Box and Appliances Clamp with two pivoting arms	<b>79</b>
<b>474.181</b> Box and Appliances Clamp with fixed arms	<b>80</b>
<b>474.141</b> Block Clamp with compensating arms	<b>81</b>
<b>474.160</b> Drum Clamp for one or two Drums	<b>82</b>
<b>474.190</b> Drum Clamp for two or four Drums	<b>83</b>
4-Point Clamping Force Tester	<b>84</b>
<b>AUTOMATA</b> Logic System - Appliances Clamp	<b>86</b>
Accessories	<b>87</b>



474.170 Fork Clamp



FEATURES

- Pallet handling/clamping loads. • Adjustable clamping force with hydraulic valve. • Pressure Relief Valve. • Non-return Valve. • Regenerative Valve.

SPECIAL EQUIPMENT

- Custom made widths/openings. • Custom made Forks. • Load Back-rest. • Flat slip-on arms/Slip-on arms for drums/Slip-on arms with 90° or 180° hydraulic rotation. • Sideshifting Valve or Semi-Integral Sideshift.

ISO (L/min)	2	3	4
Clamping	20	25	30

Hydraulic Functions: 1  
Max working pressure: 175 Bar

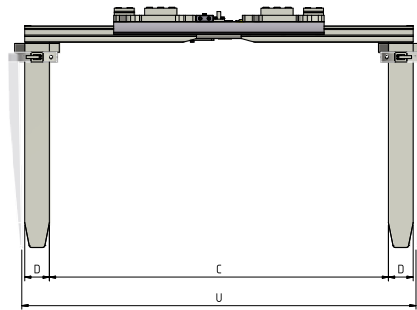
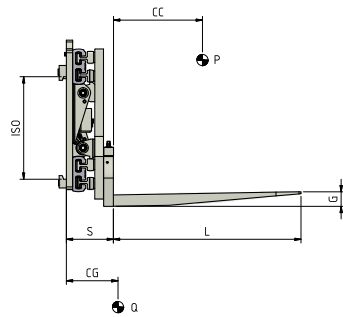
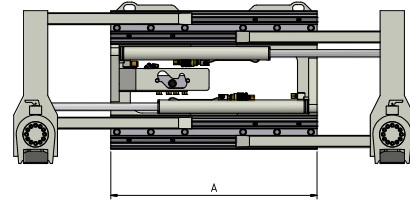
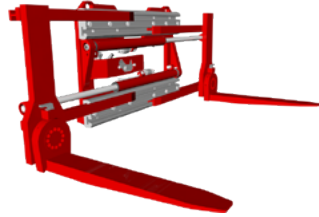
Article	Clamping Capacity	Capacity on Forks	Load Centre of Gravity	ISO	Frame Width	Opening Range Between Forks	Forks	Thickness	Centre of Gravity	Weight	Price	
N°	PS (Kg)	PF (Kg)	CC (mm)	2328	A (mm)	C Min (mm)	C Max (mm)	DxGxL (mm)	S (mm)	CG (mm)	Q (Kg)	€
11L03AQ2A0004*	1200	1400	500	2a	850	340	1380	100x40x1200	149	191	250	-
11L03AQ2A0013	1200	1400	500	2a	950	440	1680	100x40x1200	149	194	252	-
11L03AQ2A0007	1200	1400	500	2a	1050	540	1980	100x40x1200	149	188	261	-
11L03BE2A0018*	1400	1900	500	2a	950	360	1510	100x40x1200	182	188	350	-
11L03BE2A0019	1400	1900	500	2a	1050	460	1810	100x40x1200	182	185	365	-
11L03BE2A0026	1400	1900	500	2a	1150	560	2110	100x40x1200	182	182	381	-
11L03BE2A0027	1400	1900	500	2a	1250	460	2010	100x40x1200	182	181	386	-
11L03CG2A0006*	1700	2100	500	2a	950	360	1510	100x40x1200	182	188	350	-
11L03CG2A0009	1700	2100	500	2a	1050	460	1810	100x40x1200	182	185	365	-
11L03D62A0023*	1900	2400	500	2a	1050	330	1580	120x45x1200	187	202	390	-
11L03D62A0034	1900	2400	500	2a	1150	430	1880	120x45x1200	187	199	409	-
11L03D62A0035	1900	2400	500	2a	1250	530	2180	120x45x1200	187	195	425	-
11L03D62A0036	1900	2400	500	2a	1350	630	2480	120x45x1200	187	192	441	-
11L03EY3A0012*	2400	2900	500	3a	1050	330	1580	120x45x1200	187	202	420	-
11L03EY3A0021	2400	2900	500	3a	1150	430	1880	120x45x1200	187	199	409	-
11L03G03A0022	2700	3600	500	3a	1100	470	1840	120x50x1200	215	208	550	-
11L03G03A0023*	2700	3600	500	3a	1200	320	1640	120x50x1200	215	204	514	-
11L03G03A0019	2700	3600	500	3a	1300	470	2040	120x50x1200	215	202	539	-
11L03HY3A0014	3500	4500	500	3a	1200	350	1760	150x50x1200	225	216	580	-
11L03HY3A0015	3500	4500	500	3a	1300	450	2060	150x50x1200	225	215	606	-
11L03HY3A0016	3500	4500	500	3a	1400	550	2360	150x50x1200	225	213	632	-
11L03KQ3A0001*	4500	5000	500	3a	1400	260	1790	150x60x1200	240	194	695	-
11L03KQ3A0002*	4500	5000	500	3a	1600	260	1990	150x60x1200	240	196	800	-
11L03LM4A0001*	5000	6000	600	4a	1500	260	1890	150x65x1200	245	205	740	-
11L03LM4A0002*	5000	6000	600	4a	1700	260	2090	150x65x1200	245	210	755	-
11L03ND4A0001*	6000	7000	600	4a	1500	260	1890	150x70x1200	265	220	855	-
11L03ND4A0002*	6000	7000	600	4a	1700	260	2090	150x70x1200	265	225	875	-
11L03Q54A0001*	7000	8000	600	4a	1750	160	2040	200x70x1200	280	240	1010	-
11L03Q54A0002*	7000	8000	600	4a	2000	160	2280	200x70x1200	280	260	1040	-

\* Europallet handling models

Accessories on request

Accessories on request	€
SLI - Sideshifting Valve (requires an additional hydraulic function)	-
ISO 2	-
ISO 3	-
ISO 4	-
SLS - Semi-Integral Sideshift (requires an additional hydraulic function)	-
ISO 2	-
ISO 3	-
ISO 4	-
Bolt-on Forks	-

474.I50 Clamp with rotating Forks



FEATURES

- Pallet handling/clamping loads. • Adjustable clamping force with hydraulic valve. • Pressure Relief Valve. • Non-return Valve. • Regenerative Valve. • Manual Fork rotation or by means of cylinders actuated by a hydraulic function of the Forklift.

SPECIAL EQUIPMENT

- Custom made widths/openings. • Custom made Forks. • Load Back-rest. • Sideshifting Valve or Semi-Integral Sideshift.

ISO (L/min)	2	3
Clamping	20	25

Hydraulic Functions: 1  
Max working pressure: 175 Bar

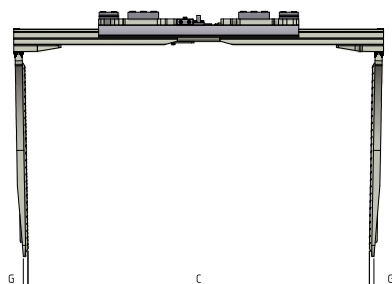
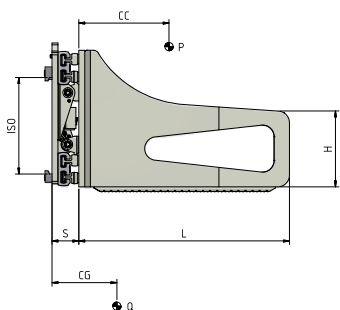
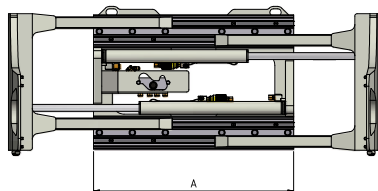
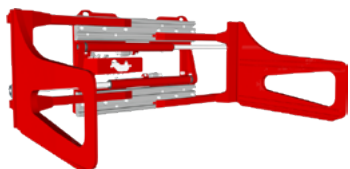
Article	Clamping Capacity	Capacity on Forks	Load Centre of Gravity	ISO	Frame Width	Opening Range Between Forks		Opening Range Between 90° Rotated Forks		Forks	Thickness	Centre of Gravity	Weight	Price
						C Min (mm)	C Max (mm)	U Min (mm)	U Max (mm)					
N°	PS (Kg)	PF (Kg)	CC (mm)	2328	A (mm)	C Min (mm)	C Max (mm)	U Min (mm)	U Max (mm)	DxGxL (mm)	S (mm)	CG (mm)	Q (Kg)	€
11L05AQ2A0001*	1200	1400	500	2a	850	340	1380	590	1630	100x45x1000	191	198	273	-
11L05AQ2A0002	1200	1400	500	2a	950	440	1680	690	1930	100x45x1000	191	196	282	-
11L05AQ2A0003	1200	1400	500	2a	1050	540	1980	790	2230	100x45x1000	191	194	291	-
11L05AQ2A0004*	1200	1400	500	2a	1050	240	1380	490	1630	100x45x1000	191	199	288	-
11L05BE2A0011*	1400	1900	500	2a	950	310	1430	605	1725	120x50x1000	227	243	397	-
11L05BE2A0012*	1400	1900	500	2a	1050	310	1530	605	1825	120x50x1000	227	238	413	-
11L05BE2A0020	1400	1900	500	2a	1150	540	2090	835	2385	120x50x1000	227	234	429	-
11L05BE2A0021	1400	1900	500	2a	1250	440	1990	735	2285	120x50x1000	227	233	434	-
11L05CG2A0009*	1700	2100	500	2a	950	310	1430	605	1725	120x50x1000	227	243	397	-
11L05CG2A0012*	1700	2100	500	2a	1050	310	1530	605	1825	120x50x1000	227	238	413	-
11L05CG2A0013*	1700	2100	500	2a	1050	240	1390	535	1685	120x50x1000	227	237	405	-
11L05D62A0001*	1900	2400	500	2a	1050	250	1450	590	1790	150x50x1000	227	220	430	-
11L05D62A0002	1900	2400	500	2a	1150	400	1850	740	2190	150x50x1000	227	216	445	-
11L05D62A0003*	1900	2400	500	2a	1150	200	1450	540	1790	150x50x1000	227	218	435	-
11L05D62A0004	1900	2400	500	2a	1250	500	2150	840	2490	150x50x1000	227	213	461	-
11L05D62A0005	1900	2400	500	2a	1350	600	2450	940	2790	150x50x1000	227	210	477	-
11L05EY3A0001*	2400	2900	500	3a	1050	250	1450	590	1790	150x50x1000	227	220	430	-
11L05EY3A0002	2400	2900	500	3a	1150	400	1850	740	2190	150x50x1000	227	216	445	-
11L05EY3A0003*	2400	2900	500	3a	1150	200	1450	540	1790	150x50x1000	227	218	435	-
11L05G03A0001	2700	3500	500	3a	1100	430	1800	790	2160	150x60x1000	274	236	578	-
11L05G03A0002	2700	3500	500	3a	1200	330	1700	690	2060	150x60x1000	274	232	604	-
11L05G03A0003	2700	3500	500	3a	1300	430	2000	790	2360	150x60x1000	274	230	622	-
11L05G03A0004	2700	3500	500	3a	1400	530	2300	890	2660	150x60x1000	274	226	658	-

\* Europallet handling models

Accessories on request

Accessories on request	€
SLI - Sideshifting Valve (requires an additional hydraulic function)	-
SLS - Semi-Integral Sideshift (requires an additional hydraulic function)	ISO 2 - ISO 3 -
Rotation of hydraulically controlled forks	-

### 474.131 Bale Clamp with thin blades



#### FEATURES

- Handling of Bales of any material (paper, carton, plastic, junk, other materials).
- Thin welded full penetration arms.
- Adjustable clamping force with hydraulic valve.
- Pressure Relief Valve.
- Non-return Valve.
- Regenerative Valve.

#### SPECIAL EQUIPMENT

- Custom made widths/openings.
- Custom made Blades.
- Load Backrest.
- Sideshifting Valve or Semi-Integral Sideshift.

ISO (L/min)	2	3	4
Clamping	20	25	30

Hydraulic Functions: 1  
Max working pressure: 175 Bar

Article	Attachment Capacity	Load Centre of Gravity	ISO	Frame Width	Opening Range		Blades	Thickness	Centre of Gravity	Weight	Price
N°	P (Kg)	CC (mm)	2328	A (mm)	C Min (mm)	C Max (mm)	GxHxL (mm)	S (mm)	CG (mm)	Q (Kg)	€
11L07AQ2A0002	1200	500	2	850	420	1460	21x350x900	109	221	290	-
11L07AQ2A0001	1200	500	2	950	520	1760	21x350x900	109	216	310	-
11L07AQ2A0003	1200	500	2	1050	620	2060	21x350x900	109	212	320	-
11L07BE2A0002	1400	500	2	950	420	1570	21x400x1000	137	254	460	-
11L07BE2A0003	1400	500	2	1050	520	1870	21x400x1000	137	248	480	-
11L07BE2A0004	1400	500	2	1150	620	2170	21x400x1000	137	243	500	-
11L07BE2A0005	1400	500	2	1250	520	2070	21x400x1000	137	241	464	-
11L07CG2A0001	1700	500	2	950	420	1570	21x400x1000	137	254	450	-
11L07CG2A0002	1700	500	2	1050	520	1870	21x400x1000	137	248	460	-
11L07D62A0003	1900	500	2	1050	420	1670	23x400x1000	137	249	505	-
11L07D62A0004	1900	500	2	1150	520	1970	23x400x1000	137	244	510	-
11L07D62A0005	1900	500	2	1250	620	2270	23x400x1000	137	239	480	-
11L07D62A0006	1900	500	2	1350	720	2570	23x400x1000	137	235	510	-
11L07EY3A0001	2400	500	3	1050	420	1670	23x400x1000	137	249	520	-
11L07EY3A0002	2400	500	3	1150	520	1970	23x400x1000	137	244	540	-
11L07G03A0001	2700	500	3	1100	550	1920	26x400x1000	157	271	720	-
11L07G03A0002	2700	500	3	1100	530	1900	26x400x1200	157	329	750	-
11L07G03A0003	2700	500	3	1200	450	1820	26x400x1000	157	266	730	-
11L07G03A0004	2700	500	3	1200	430	1800	26x400x1200	157	322	815	-
11L07G03A0005	2700	500	3	1300	540	2110	26x400x1000	157	261	756	-
11L07G03A0006	2700	500	3	1300	530	2100	26x400x1200	157	316	810	-
11L07G03A0007	2700	500	3	1400	640	2410	26x400x1000	157	257	800	-
11L07G03A0008	2700	500	3	1400	630	2400	26x400x1200	157	311	828	-
11L07HY3A0001	3500	500	3	1200	470	1880	29x500x1200	167	366	910	-
11L07HY3A0002	3500	500	3	1200	460	1870	29x500x1500	167	452	965	-
11L07HY3A0003	3500	500	3	1300	570	2180	29x500x1200	167	360	958	-
11L07HY3A0004	3500	500	3	1300	560	2170	29x500x1500	167	445	1015	-
11L07HY3A0005	3500	500	3	1400	680	2490	29x500x1200	167	354	978	-
11L07HY3A0006	3500	500	3	1400	660	2470	29x500x1500	167	438	1035	-
11L07KQ3A0012	4500	500	3	1200	670	2280	29x500x1200	172	366	910	-
11L07KQ3A0013	4500	500	3	1200	660	2270	29x500x1500	172	452	965	-
11L07KQ3A0014	4500	500	3	1400	680	2490	29x500x1200	172	362	975	-
11L07KQ3A0015	4500	500	3	1400	660	2470	29x500x1500	172	438	1035	-
11L07KQ4A0008	3800	600	4	1400	670	2480	29x500x1200	172	362	1115	-
11L07KQ4A0009	3800	600	4	1400	660	2460	29x500x1600	172	386	1190	-
11L07KQ4A0010	3800	600	4	1600	680	2680	29x500x1200	172	366	1210	-
11L07KQ4A0011	3800	600	4	1600	660	2660	29x500x1600	172	396	1260	-

#### Accessories on request

SLI - Sideshifting Valve (requires an additional hydraulic function)

SLS - Semi-Integral Sideshift (requires an additional hydraulic function)

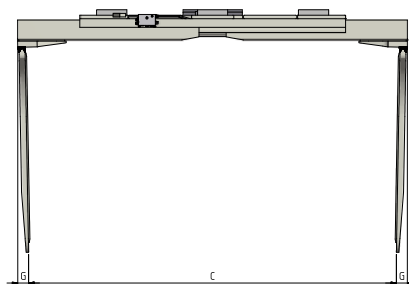
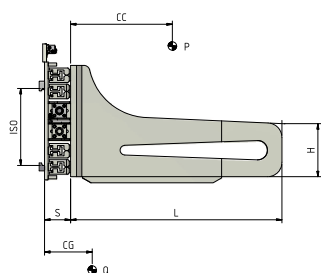
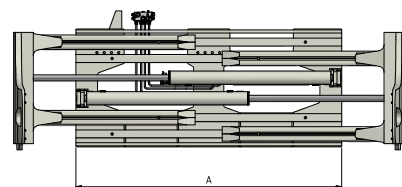
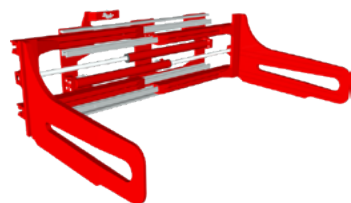
Wear-resistant Plates under the Frame

Wear-resistant Plates under the Blades

€

ISO 2  
ISO 3  
ISO 4

116.131 Bale Clamp with thin blades



FEATURES

- Handling of Bales of any material (paper, carton, plastic, junk, other materials).
- Thin welded full penetration arms.
- Adjustable clamping force with hydraulic valve.
- Pressure Relief Valve.
- Non-return Valve.
- Regenerative Valve.

SPECIAL EQUIPMENT

- Custom made widths/openings.
- Custom made Blades.
- Load Backrest.
- Sideshifting Valve or Semi-Integral Sideshift.

Hydraulic Functions: 1  
Max working pressure: 175 Bar

ISO (L/min)	3	4
Clamping	25	30

Accessories page 87

Article N°	Attachment Capacity P (Kg)	Load Centre of Gravity CC (mm)	ISO 2328	Frame Width A (mm)	Opening Range		Blades GxHxL (mm)	Thickness S (mm)	Centre of Gravity CG (mm)	Weight Q (Kg)	Price €
					C Min (mm)	C Max (mm)					
11G07KQ3A0005	4500	500	3	1400	630	2260	90x450x1200	185	210	1115	-
11G07KQ3A0006	4500	500	3	1400	620	2250	90x450x1400	185	230	1165	-
11G07KQ3A0007	4500	500	3	1400	610	2240	90x450x1600	185	250	1220	-
11G07KQ3A0008	4500	500	3	1700	630	2560	90x450x1200	185	200	1175	-
11G07KQ3A0009	4500	500	3	1700	620	2550	90x450x1400	185	220	1225	-
11G07KQ3A0010	4500	500	3	1700	610	2540	90x450x1600	185	240	1280	-
11G07LL4A0012	5000	600	4	1600	660	2500	90x450x1200	185	177	1340	-
11G07LL4A0013	5000	600	4	1600	650	2490	90x450x1400	185	195	1400	-
11G07LL4A0014	5000	600	4	1600	640	2480	90x450x1600	185	237	1450	-
11G07LL4A0015	5000	600	4	1700	760	2800	90x450x1200	185	158	1400	-
11G07LL4A0016	5000	600	4	1700	750	2790	90x450x1400	185	191	1450	-
11G07LL4A0017	5000	600	4	1700	740	2780	90x450x1600	185	215	1490	-
11G07NC4A0010	6000	600	4	1600	660	2500	90x450x1200	185	169	1400	-
11G07NC4A0011	6000	600	4	1600	650	2490	90x450x1400	185	197	1450	-
11G07NC4A0012	6000	600	4	1600	640	2480	90x450x1600	185	231	1500	-
11G07NC4A0013	6000	600	4	1700	760	2800	90x450x1200	185	149	1450	-
11G07NC4A0014	6000	600	4	1700	750	2790	90x450x1400	185	186	1500	-
11G07NC4A0015	6000	600	4	1700	740	2780	90x450x1600	185	209	1550	-
11G07Q44A0014	7000	600	4	1800	650	2690	95x450x1200	215	185	1675	-
11G07Q44A0015	7000	600	4	1800	640	2680	95x450x1400	215	199	1725	-
11G07Q44A0016	7000	600	4	1800	630	2670	95x450x1600	215	227	1775	-
11G07Q44A0017	7000	600	4	2000	850	3290	95x450x1200	215	158	1860	-
11G07Q44A0018	7000	600	4	2000	840	3280	95x450x1400	215	189	1910	-
11G07Q44A0019	7000	600	4	2000	830	3270	95x450x1600	215	217	1960	-
11G07QZ4A0009	8000	600	4	1800	650	2690	95x450x1200	215	172	1720	-
11G07QZ4A0010	8000	600	4	1800	640	2680	95x450x1400	215	199	1770	-
11G07QZ4A0011	8000	600	4	1800	630	2670	95x450x1600	215	228	1820	-
11G07QZ4A0012	8000	600	4	2000	850	3290	95x450x1200	215	152	1940	-
11G07QZ4A0013	8000	600	4	2000	840	3280	95x450x1400	215	189	1990	-
11G07QZ4A0014	8000	600	4	2000	830	3270	95x450x1600	215	213	2040	-

Accessories on request

SLI - Sideshifting Valve (requires an additional hydraulic function)

SLS - Semi-Integral Sideshift (requires an additional hydraulic function)

Wear-resistant Plates under the Frame

Wear-resistant Plates under the Blades

Additional single articulated arm L=1200

Additional single articulated arm L=1400

Additional single articulated arm L=1600

€

-

ISO 3  
ISO 4

-  
-

-

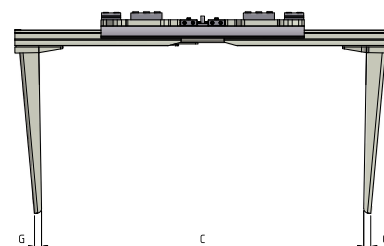
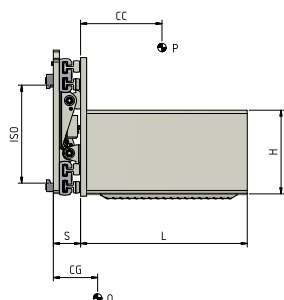
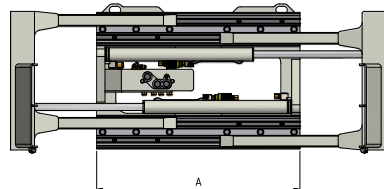
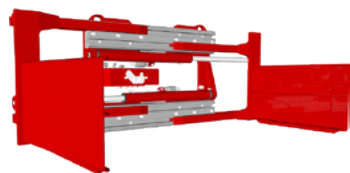
-

-

-

-

474.I30 Bale Clamp with wavy edged arms



FEATURES

- Handling of voluminous loads of any type.
- Adjustable clamping force with hydraulic valve.
- Pressure Relief Valve.
- Non-return Valve.
- Regenerative Valve.

SPECIAL EQUIPMENT

- Custom made widths/openings.
- Custom made Blades.
- Load Backrest.
- Sideshifting Valve or Semi-Integral Sideshift.

ISO (L/min)	2	3
Clamping	20	25

Hydraulic Functions: 1  
Max working pressure: 175 Bar

Accessories page 87

Article	Attachment Capacity	Load Centre of Gravity	ISO	Frame Width	Opening Range		Blades	Thickness	Centre of Gravity	Weight	Price
N°	P (Kg)	CC (mm)	2328	A (mm)	C Min (mm)	C Max (mm)	GxHxL (mm)	S (mm)	CG (mm)	Q (Kg)	€
11L08AQ2A0001	1200	500	2	850	300	1340	30x350x900	109	218	254	-
11L08AQ2A0002	1200	500	2	950	400	1640	30x350x900	109	214	263	-
11L08AQ2A0003	1200	500	2	1050	500	1940	30x350x900	109	214	270	-
11L08BE2A0001	1400	500	2	950	320	1470	40x400x1000	137	253	390	-
11L08BE2A0002	1400	500	2	1050	420	1770	40x400x1000	137	248	406	-
11L08BE2A0003	1400	500	2	1150	520	2070	40x400x1000	137	242	422	-
11L08BE2A0004	1400	500	2	1250	420	1970	40x400x1000	137	236	427	-
11L08CG2A0001	1700	500	2	950	320	1470	40x400x1000	137	253	390	-
11L08CG2A0002	1700	500	2	1050	420	1770	40x400x1000	137	248	430	-
11L08D62A0001	1900	500	2	1050	290	1540	40x400x1000	137	251	412	-
11L08D62A0002	1900	500	2	1150	390	1840	40x400x1000	137	247	426	-
11L08D62A0003	1900	500	2	1250	490	2140	40x400x1000	137	242	440	-
11L08D62A0004	1900	500	2	1350	590	2440	40x400x1000	137	238	454	-
11L08EY3A0001	2400	500	3	1050	290	1540	40x400x1000	137	251	420	-
11L08EY3A0002	2400	500	3	1150	390	1840	40x400x1000	137	247	426	-
11L08G03A0001	2700	500	3	1100	410	1780	40x400x1000	157	271	542	-
11L08G03A0002	2700	500	3	1100	400	1770	40x400x1200	157	334	588	-
11L08G03A0003	2700	500	3	1200	310	1680	40x400x1000	157	265	568	-
11L08G03A0004	2700	500	3	1200	300	1670	40x400x1200	157	321	614	-
11L08G03A0005	2700	500	3	1300	410	1980	40x400x1000	157	259	594	-
11L08G03A0006	2700	500	3	1300	400	1970	40x400x1200	157	316	640	-
11L08G03A0007	2700	500	3	1400	510	2280	40x400x1000	157	255	620	-
11L08G03A0008	2700	500	3	1400	500	2270	40x400x1200	157	310	668	-
11L08HY3A0001	3500	500	3	1200	300	1710	40x500x1200	167	368	758	-
11L08HY3A0002	3500	500	3	1200	290	1700	40x500x1500	167	453	855	-
11L08HY3A0003	3500	500	3	1300	400	2010	40x500x1200	167	361	784	-
11L08HY3A0004	3500	500	3	1300	390	2000	40x500x1500	167	447	881	-
11L08HY3A0005	3500	500	3	1400	500	2310	40x500x1200	167	354	810	-
11L08HY3A0006	3500	500	3	1400	490	2300	40x500x1500	167	438	907	-

Accessories on request

SLI - Sideshifting Valve (requires an additional hydraulic function)

SLS - Semi-Integral Sideshift (requires an additional hydraulic function)

Wear-resistant Plates under the Frame

Wear-resistant Plates under the Blades

€

-

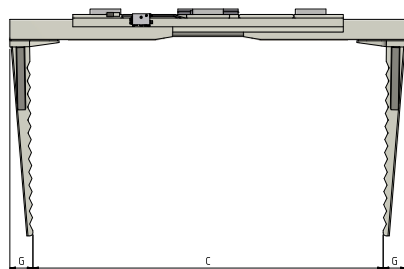
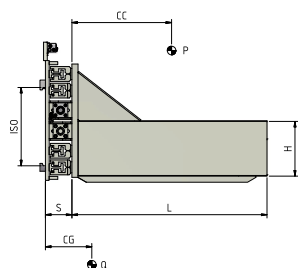
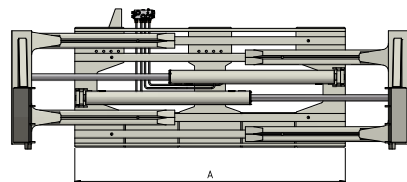
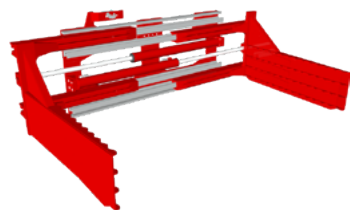
ISO 2 -

ISO 3 -

-

-

**116.130** Bale Clamp with wavy edged arms



**FEATURES**

- Handling of voluminous loads of any type.
- Adjustable clamping force with hydraulic valve.
- Pressure Relief Valve.
- Non-return Valve.
- Regenerative Valve.

**SPECIAL EQUIPMENT**

- Custom made widths/openings.
- Custom made Blades.
- Load Backrest.
- Sideshifting Valve or Semi-Integral Sideshift.

	ISO (L/min)	4
	Clamping	30

**Hydraulic Functions: 1**  
**Max working pressure: 175 Bar**

Article	Attachment Capacity	Load Centre of Gravity	ISO	Frame Width	Opening Range		Blades	Thickness	Centre of Gravity	Weight	Price
					C Min (mm)	C Max (mm)					
N°	P (Kg)	CC (mm)	2328	A (mm)	C Min (mm)	C Max (mm)	GxHxL (mm)	S (mm)	CG (mm)	Q (Kg)	€
11G08LL4A0001	5000	600	4	1600	500	2340	140x450x1200	165	172	1260	-
11G08LL4A0002	5000	600	4	1600	500	2340	140x450x1400	165	190	1310	-
11G08LL4A0003	5000	600	4	1600	500	2340	140x450x1600	165	230	1360	-
11G08LL4A0004	5000	600	4	1700	600	2640	140x450x1200	165	150	1310	-
11G08LL4A0005	5000	600	4	1700	600	2640	140x450x1400	165	185	1360	-
11G08LL4A0006	5000	600	4	1700	600	2640	140x450x1600	165	208	1410	-
11G08NC4A0001	6000	600	4	1600	500	2340	140x450x1200	170	165	1320	-
11G08NC4A0002	6000	600	4	1600	500	2340	140x450x1400	170	190	1370	-
11G08NC4A0003	6000	600	4	1600	500	2340	140x450x1600	170	226	1420	-
11G08NC4A0004	6000	600	4	1700	600	2640	140x450x1200	170	143	1370	-
11G08NC4A0005	6000	600	4	1700	600	2640	140x450x1400	170	178	1420	-
11G08NC4A0006	6000	600	4	1700	600	2640	140x450x1600	170	209	1470	-
11G08Q44A0001	7000	600	4	1800	480	2520	140x450x1200	198	178	1455	-
11G08Q44A0002	7000	600	4	1800	480	2520	140x450x1400	198	193	1505	-
11G08Q44A0003	7000	600	4	1800	480	2520	140x450x1600	198	218	1555	-
11G08Q44A0004	7000	600	4	2000	680	3120	140x450x1200	198	148	1645	-
11G08Q44A0005	7000	600	4	2000	680	3120	140x450x1400	198	180	1695	-
11G08Q44A0006	7000	600	4	2000	680	3120	140x450x1600	198	210	1745	-
11G08QZ4A0001	8000	600	4	1800	480	2520	150x450x1200	205	166	1505	-
11G08QZ4A0002	8000	600	4	1800	480	2520	150x450x1400	205	193	1555	-
11G08QZ4A0003	8000	600	4	1800	480	2520	150x450x1600	205	220	1605	-
11G08QZ4A0004	8000	600	4	2000	680	3120	150x450x1200	205	145	1725	-
11G08QZ4A0005	8000	600	4	2000	680	3120	150x450x1400	205	180	1775	-
11G08QZ4A0006	8000	600	4	2000	680	3120	150x450x1600	205	206	1825	-

**Accessories on request**

**SLI** - Sideshifting Valve (requires an additional hydraulic function)

**SLS** - Semi-Integral Sideshift (requires an additional hydraulic function)

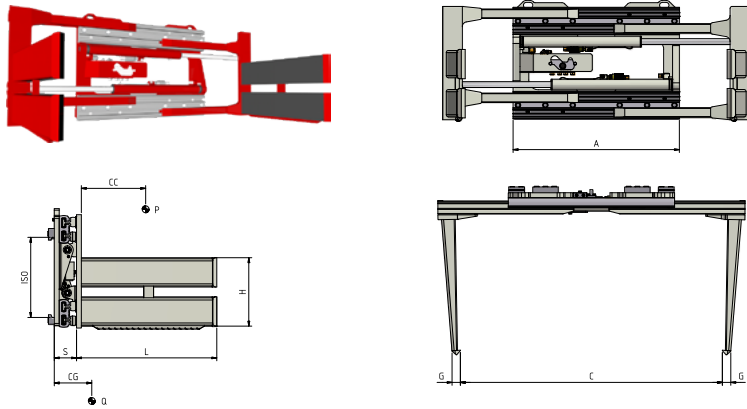
Wear-resistant Plates under the Frame

Wear-resistant Plates under the Blades

€

**ISO 4**

474.I37 Clamp with rubber covered arms



FEATURES

- Load handling without damaging the packaging. • Edged rubber covered Arms. • Adjustable clamping force with hydraulic valve. • Pressure Relief Valve. • Non-return Valve. • Regenerative Valve.

SPECIAL EQUIPMENT

- Custom made widths/openings. • Custom made Arms. • Load Backrest. • Sideshifting Valve or Semi-Integral Sideshift.

Article	Attachment Capacity	Load Centre of Gravity	ISO	Frame Width	Opening Range		Blades	Thickness	Centre of Gravity	Weight	Price
Nº	P (Kg)	CC (mm)	2328	A (mm)	C Min (mm)	C Max (mm)	GxHxL (mm)	S (mm)	CG (mm)	Q (Kg)	€
11L12AQ2A0001	1200	500	2	850	290	1330	40x350x900	109	171	250	-
11L12AQ2A0002	1200	500	2	950	390	1630	40x350x900	109	173	259	-
11L12AQ2A0003	1200	500	2	1050	490	1930	40x350x900	109	175	268	-
11L12BE2A0001	1400	500	2	950	310	1460	45x400x1000	137	187	367	-
11L12BE2A0002	1400	500	2	1050	410	1760	45x400x1000	137	187	383	-
11L12BE2A0003	1400	500	2	1150	510	2060	45x400x1000	137	184	399	-
11L12BE2A0004	1400	500	2	1250	610	2360	45x400x1000	137	183	411	-
11L12CG2A0001	1700	500	2	950	310	1460	45x400x1000	137	187	367	-
11L12CG2A0002	1700	500	2	1050	410	1760	45x400x1000	137	185	383	-
11L12D62A0001	1900	500	2	1050	280	1530	45x400x1000	137	181	396	-
11L12D62A0002	1900	500	2	1150	380	1830	45x400x1000	137	176	410	-
11L12D62A0003	1900	500	2	1250	480	2130	45x400x1000	137	173	422	-
11L12D62A0004	1900	500	2	1350	580	2430	45x400x1000	137	172	439	-
11L12EY2A0001	2400	500	3	1050	280	1530	45x400x1000	137	173	396	-
11L12EY2A0002	2400	500	3	1150	380	1830	45x400x1000	137	171	410	-

Accessories on request

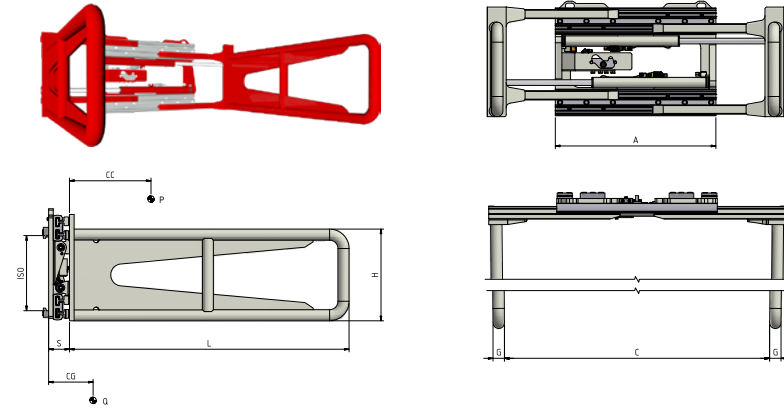
SLI - Sideshifting Valve (requires an additional hydraulic function)	€	-
SLS - Semi-Integral Sideshift (requires an additional hydraulic function)	ISO 2	-
	ISO 3	-

ISO (L/min)	2	3
Clamping	20	25

Hydraulic Functions: 1  
Max working pressure: 175 Bar

Accessories page 87

474.I95 Foam Clamp



FEATURES

- Handling of voluminous loads (foam and polyurethane blocks). • Tubular Arms. • Adjustable clamping force with hydraulic valve. • Pressure Relief Valve. • Non-return Valve. • Regenerative Valve.

SPECIAL EQUIPMENT

- Custom made widths/openings. • Custom made Arms. • Load Backrest. • Sideshifting Valve or Semi-Integral Sideshift.

Article	Attachment Capacity	Load Centre of Gravity	ISO	Frame Width	Opening Range		Blades	Thickness	Centre of Gravity	Weight	Price
Nº	P (Kg)	CC (mm)	2328	A (mm)	C Min (mm)	C Max (mm)	GxHxL (mm)	S (mm)	CG (mm)	Q (Kg)	€
11L27AQ2A0010	1200	500	2	1150	590	2150	65x500x1500	109	213	350	-
11L27AQ2A0011	1200	500	2	1150	580	2140	65x500x2000	109	232	400	-
11L27BE2A0009	1400	500	2	1150	580	2150	76x500x1500	137	246	433	-
11L27BE2A0010	1400	500	2	1150	570	2140	76x500x2000	137	273	472	-
11L27D62A0004	1900	500	2	1250	590	2260	76x500x1500	137	247	445	-
11L27D62A0005	1900	500	2	1250	580	2250	76x500x2000	137	271	500	-

Accessories on request

SLI - Sideshifting Valve (requires an additional hydraulic function)	€	-
SLS - Semi-Integral Sideshift (requires an additional hydraulic function)	ISO 2	-

ISO (L/min)	2
Clamping	20

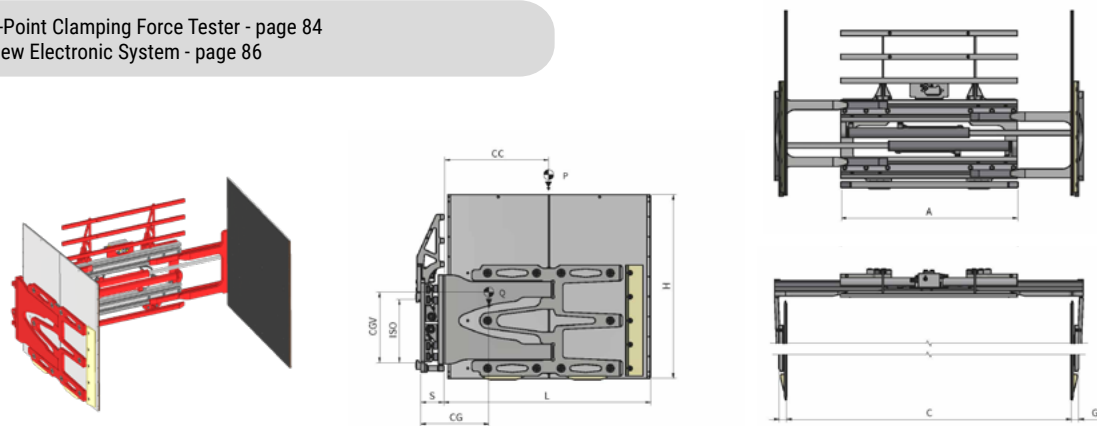
Hydraulic Functions: 1  
Max working pressure: 175 Bar

Accessories page 87

### 474.12.180 Box and Appliances Clamp with two pivoting arms

► Up to 12 Appliances or Cartons in one grab.

4-Point Clamping Force Tester - page 84  
New Electronic System - page 86



#### FEATURES

- Handling of Household Appliances and Cartons, arranged in double depth, on more rows/levels.
- Pivoting rubber covered Arms.
- Adjustable clamping force with hydraulic valve.
- Pressure Relief Valve.
- Non-return Valve.
- Regenerative Valve.
- Load backrest for clamps with arms exceeding 1000 mm in height.

#### SPECIAL EQUIPMENT

- Custom made widths/openings.
- Custom made Arms.
- Load backrest extensions and upper-blades restraint structures.
- Single or double wing.
- Mechanical block of the oscillation.
- Sideshifting Valve or Semi-Integral Sideshift.

Article	Attachment Capacity	Load Centre of Gravity	ISO	Frame Width	Opening Range		Blades	Thickness	Centre of Gravity	Vertical Centre of Gravity	Weight	Price
Nº	P (Kg)	CC (mm)	2328	A (mm)	C Min (mm)	C Max (mm)	GxHxL (mm)	S (mm)	CG (mm)	CGV (mm)	Q (Kg)	€
11L15AQ2A0039	1200	500	2	950	500	1740	51x1000x1000	149	385	297	328	-
11L15AQ2A0041	1200	650	2	950	500	1740	51x1000x1300	149	405	300	378	-
11L15AQ2A0043*	1200	675	2	950	500	1740	51x1200x1350	149	431	323	517	-
11L15AQ2A0045	1200	500	2	1050	500	1840	51x1000x1000	149	323	297	437	-
11L15AQ2A0047	1200	650	2	1050	500	1840	51x1000x1300	149	411	300	487	-
11L15AQ2A0049*	1200	675	2	1050	500	1840	51x1200x1350	149	437	322	523	-
11L15AQ2A0051	1200	500	2	1150	450	1850	51x1000x1000	149	332	298	425	-
11L15AQ2A0053	1200	650	2	1150	450	1850	51x1000x1300	149	421	301	475	-
11L15AQ2A0055*	1200	675	2	1150	450	1850	51x1200x1350	149	443	321	530	-

\* Split Contact Pads and Load Backrest on blade

#### Accessories on request

SLI - Sideshifting Valve (requires an additional hydraulic function)	€
SLS - Semi-Integral Sideshift (requires an additional hydraulic function)	ISO 2

ISO (L/min)	2
Clamping	20

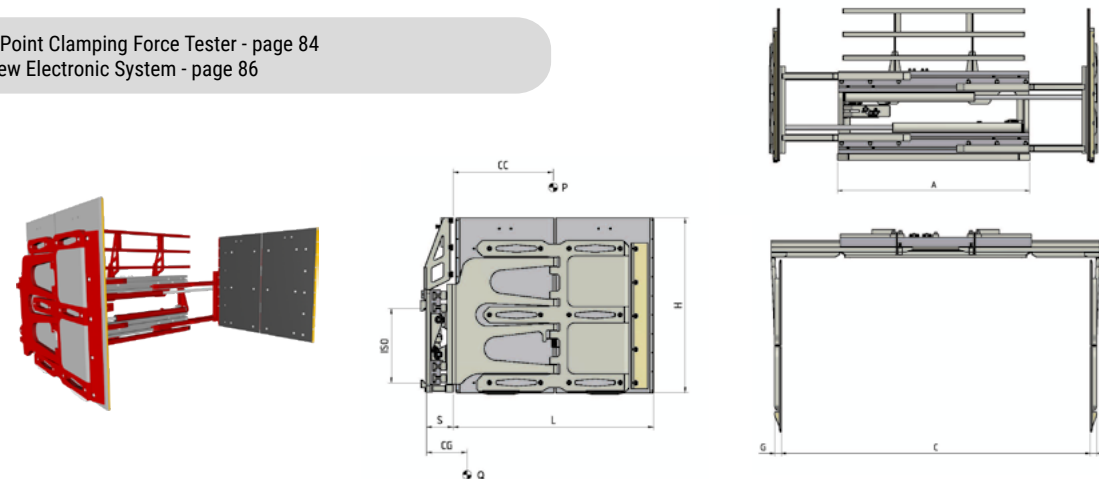
Hydraulic Functions: 1  
Max working pressure: 175 Bar

Accessories page 87

### 474.24.180 Box and Appliances Clamp with two pivoting arms

► Up to 24 Appliances or Cartons in one grab.

4-Point Clamping Force Tester - page 84  
New Electronic System - page 86



#### FEATURES

- Handling of Household Appliances and Cartons, arranged in double depth, on more rows/levels.
- Pivoting rubber covered Arms.
- Adjustable clamping force with hydraulic valve.
- Pressure Relief Valve.
- Non-return Valve.
- Regenerative Valve.
- Load backrest for clamps with arms exceeding 1000 mm in height.

#### SPECIAL EQUIPMENT

- Custom made widths/openings.
- Custom made Arms.
- Load backrest extensions and upper-blades restraint structures.
- Single or double wing.
- Mechanical block of the oscillation.
- Sideshifting Valve or Semi-Integral Sideshift.

Article	Attachment Capacity	Load Centre of Gravity	ISO	Frame Width	Opening Range		Blades	Thickness	Centre of Gravity	Weight	Price
Nº	P (Kg)	CC (mm)	2328	A (mm)	C Min (mm)	C Max (mm)	GxHxL (mm)	S (mm)	CG (mm)	Q (Kg)	€
11L15D62A0004*	1500	675	2	1380	420	2040	51x1200x1350	188	448	865	-
11L15D62A0005*	1500	675	2	1550	460	2260	51x1200x1350	188	436	875	-
11L15D63A0006*	1900	675	3	1850	560	2760	51x1200x1350	188	407	920	-
11L15D63A0007*	1900	675	3	2000	460	2710	51x1200x1350	188	402	930	-
11L15D63A0008*	2000	675	3	2050	420	2680	51x1200x1350	188	401	950	-

\* Split Contact Pads and Load Backrest on blade

#### Accessories on request

SLI - Sideshifting Valve (requires an additional hydraulic function)	€
SLS - Semi-Integral Sideshift (requires an additional hydraulic function)	ISO 2
	ISO 3

ISO (L/min)	2	3
Clamping	20	25

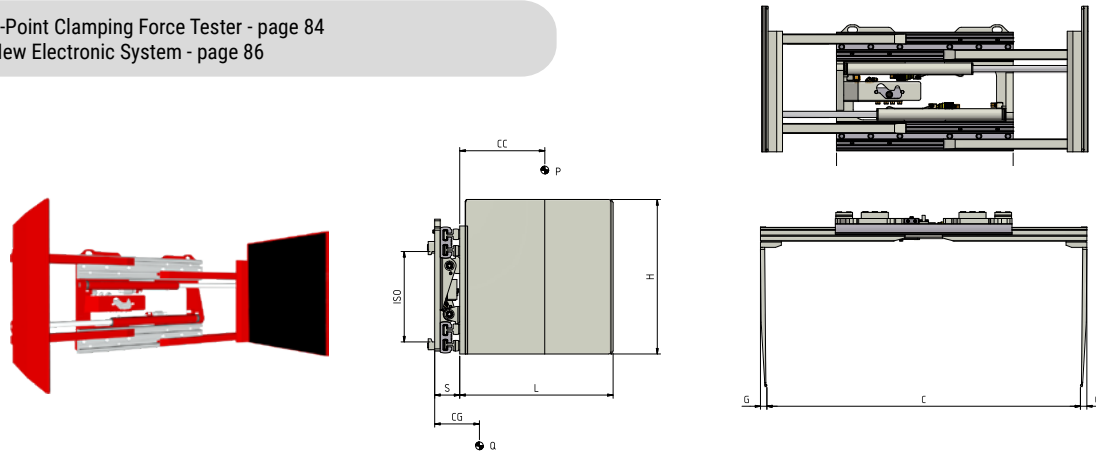
Hydraulic Functions: 1  
Max working pressure: 175 Bar

Accessories page 87



### 474.I81 Box and Appliances Clamp with fixed arms

4-Point Clamping Force Tester - page 84  
New Electronic System - page 86



#### FEATURES

- Handling of Household Appliances and Cartons, arranged in double depth, on more rows/levels.
- Fixed rubber covered Arms.
- Adjustable clamping force with hydraulic valve.
- Pressure Relief Valve.
- Non-return Valve.
- Regenerative Valve.
- Load backrest for clamps with arms exceeding 1000 mm in height.

#### SPECIAL EQUIPMENT

- Custom made widths/openings.
- Custom made Arms.
- Load Backrest.
- Sideshifting Valve or Semi-Integral Sideshift.

Article	Attachment Capacity	Load Centre of Gravity	ISO	Frame Width	Opening Range		Blades	Thickness	Centre of Gravity	Weight	Price
Nº	P (Kg)	CC (mm)	2328	A (mm)	C Min (mm)	C Max (mm)	GxHxL (mm)	S (mm)	CG (mm)	Q (Kg)	€
11L14AQ2A0001	1200	500	2	950	580	1820	30x600x650	134	188	320	-
11L14AQ2A0002	1200	500	2	950	580	1820	30x700x650	134	201	335	-
11L14AQ2A0003	1200	500	2	950	580	1820	30x600x750	134	220	335	-
11L14AQ2A0004	1200	500	2	950	580	1820	30x700x750	134	234	350	-
11L14AQ2A0005	1200	500	2	950	580	1820	30x600x850	134	253	355	-
11L14AQ2A0006	1200	500	2	950	580	1820	30x700x850	134	268	370	-
11L14BE2A0001	1400	500	2	1050	590	1940	30x600x650	162	188	455	-
11L14BE2A0002	1400	500	2	1050	590	1940	30x700x650	162	201	477	-
11L14BE2A0003	1400	500	2	1050	590	1940	30x600x750	162	218	470	-
11L14BE2A0004	1400	500	2	1050	590	1940	30x700x750	162	232	494	-
11L14BE2A0005	1400	500	2	1050	590	1940	30x600x850	162	250	498	-
11L14BE2A0006	1400	500	2	1050	590	1940	30x700x850	162	266	516	-

#### Accessories on request

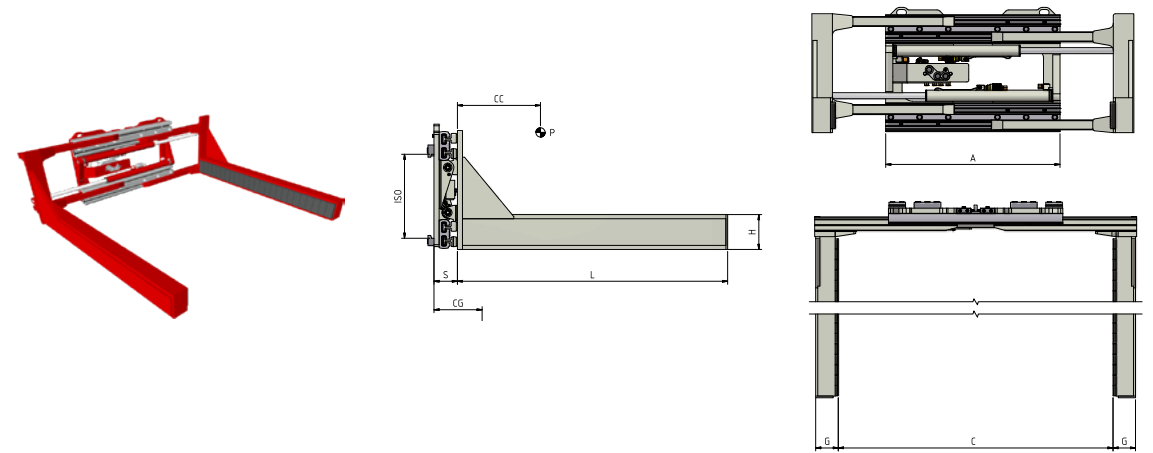
SLI - Sideshifting Valve (requires an additional hydraulic function)	€
SLS - Semi-Integral Sideshift (requires an additional hydraulic function)	ISO 2

ISO (L/min)	2
Clamping	20

Hydraulic Functions: 1  
Max working pressure: 175 Bar

Accessories page 87

### 474.I41 Block Clamp with compensating arms



#### FEATURES

- Handling of concrete blocks and building materials by clamping.
- Compensating Arms.
- Adjustable clamping force with hydraulic valve.
- Pressure Relief Valve.
- Non-return Valve.
- Regenerative Valve.

#### SPECIAL EQUIPMENT

- Custom made widths/openings.
- Custom made Arms.
- Load Backrest.
- Sideshifting Valve or Semi-Integral Sideshift.

Article	Attachment Capacity	Load Centre of Gravity	ISO	Frame Width	Opening Range		Blades	Thickness	Centre of Gravity	Weight	Price
Nº	P (Kg)	CC (mm)	2328	A (mm)	C Min (mm)	C Max (mm)	GxHxL (mm)	S (mm)	CG (mm)	Q (Kg)	€
11L20BE2A0001	1400	500	2	1050	400	1750	120x150x1095	137	252	405	-
11L20BE2A0002	1400	500	2	1050	400	1750	120x150x1295	137	306	422	-
11L20CG2A0001	1700	500	2	1050	400	1750	120x150x1095	137	252	405	-
11L20CG2A0002	1700	500	2	1050	400	1750	120x150x1295	137	306	422	-
11L20D62A0001	1900	500	2	1150	370	1820	125x170x1100	137	268	500	-
11L20D62A0002	1900	500	2	1150	370	1820	125x170x1300	137	327	493	-
11L20EY2A0001	2400	500	2	1150	370	1820	125x170x1100	137	268	465	-
11L20EY2A0002	2400	500	2	1150	370	1820	125x170x1300	137	327	493	-
11L20G03A0001	2700	500	3	1100	390	1760	125x170x1100	157	260	547	-
11L20G03A0002	2700	500	3	1100	390	1760	125x170x1300	157	311	573	-

#### Accessories on request

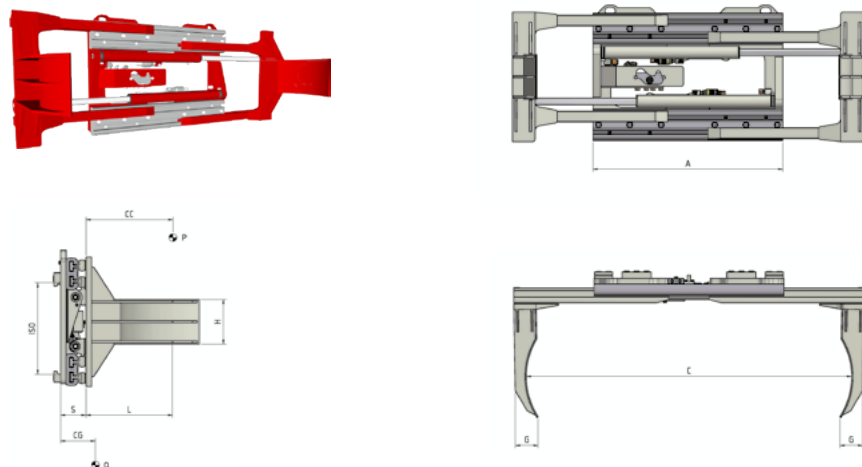
SLI - Sideshifting Valve (requires an additional hydraulic function)	€
SLS - Semi-Integral Sideshift (requires an additional hydraulic function)	ISO 2
	ISO 3

ISO (L/min)	2	3
Clamping	20	25

Hydraulic Functions: 1  
Max working pressure: 175 Bar

Accessories page 87

### 474.160 Drum Clamp for one or two Drums



#### FEATURES

- Handling of 1 or 2 Drums at once. • Adjustable clamping force with hydraulic valve. • Pressure Relief Valve. • Non-return Valve. • Regenerative Valve.

#### SPECIAL EQUIPMENT

- Custom made widths/openings. • Custom made Blades. • Load Backrest. • "V" shaped Plates for gripping drums with different diameters. • Sideshifting Valve or Semi-Integral Sideshift.

Article	Attachment Capacity	Load Centre of Gravity	ISO	Frame Width	Opening Range		Blades	Thickness	Centre of Gravity	Weight	Price
Nº	P (Kg)	CC (mm)	2328	A (mm)	C Min (mm)	C Max (mm)	GxHxL (mm)	S (mm)	CG (mm)	Q (Kg)	€
11L23AQ2C0001	1200	500	2	950	490	1730	100x200x330	109	102	230	-
11L23BE2C0001	1400	500	2	950	450	1600	100x200x330	137	109	316	-

#### Accessories on request

SLI - Sideshifting Valve (requires an additional hydraulic function)

SLS - Semi-Integral Sideshift (requires an additional hydraulic function)

€

-

ISO 2

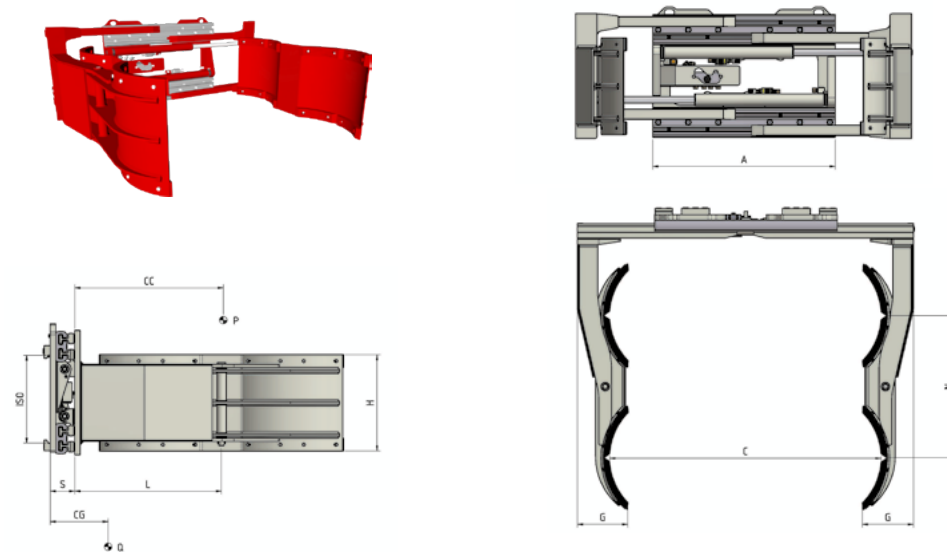
-

	ISO (L/min)	2
	Clamping	20

Hydraulic Functions: 1  
Max working pressure: 175 Bar

Accessories page 87

### 474.190 Drum Clamp for two or four Drums



#### FEATURES

- Handling of 2 or 4 Drums at once. • Adjustable clamping force with hydraulic valve. • Pressure Relief Valve. • Non-return Valve. • Regenerative Valve.

#### SPECIAL EQUIPMENT

- Custom made widths/openings. • Custom made Blades. • Load Backrest. • "V" shaped Plates for gripping drums with different diameters. • Sideshifting Valve or Semi-Integral Sideshift.

Article	Attachment Capacity	Load Centre of Gravity	ISO	Frame Width	Opening Range		Blades	Distance	Thickness	Centre of Gravity	Weight	Price
Nº	P (Kg)	CC (mm)	2328	A (mm)	C Min (mm)	C Max (mm)	GxHxL (mm)	N (mm)	S (mm)	CG (mm)	Q (Kg)	€
11L24AQ2C0001	1200	500	2	950	340	1340	236x450x690	660	109	360	340	-
11L24D62C0001	1900	500	2	1050	270	1520	238x450x700	660	137	321	510	-

#### Accessories on request

SLI - Sideshifting Valve (requires an additional hydraulic function)

SLS - Semi-Integral Sideshift (requires an additional hydraulic function)

€

-

ISO 2

-

	ISO (L/min)	2
	Clamping	20

Hydraulic Functions: 1  
Max working pressure: 175 Bar

Accessories page 87

# 4-Point Clamping Force Tester

## Boxes and Appliances Clamp Fittings

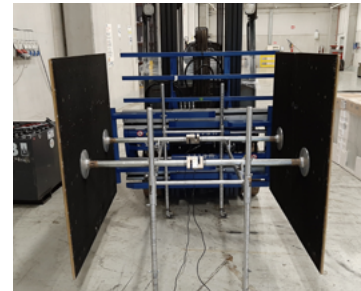


The proper distribution of the clamping force of our Boxes and Appliances Clamp on the surface of the rubber-covered blades is a key factor to ensure the most appropriate handling of White Goods and high-tech, thus avoiding the products from damage by preserving their packaging. All ATIB Material Handling Boxes and Appliances Clamps are tested at the end of the production line with the 4-point dynamometer, carefully designed by our Engineering to ensure the correct default settings and to allow the customer the right recalibration of the clamps after a certain period of use.

The Tester, based on load cell technology, can measure both the force acting on each point, and calculate the total tightening developed on the entire surface of the rubber-covered blades, providing a precise indication on the distribution of the force in percentage and always ensuring complete safety in handling operations.

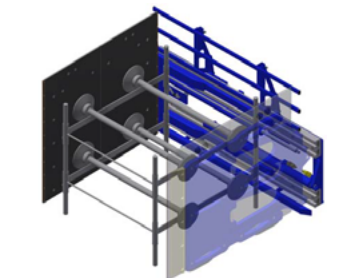
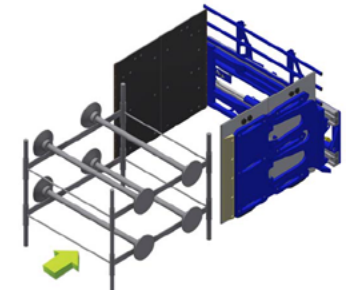
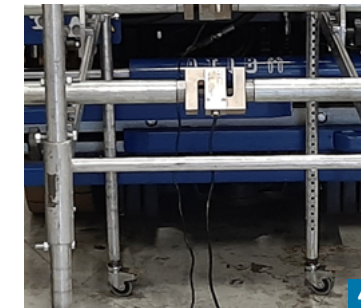
In addition to that, since the positions of the measuring points are adjustable, the system can be adapted to the various dimensions of the rubber-covered blades.

ATIB Material Handling 4-point Tester is equipped with a display device that allows you to enter the grip pressure (displayed as Kg applied to the load), and then eventually print the report.



### Features

- Load cell arms for grip force detection in 2 or 4 contact points.
- Control unit, including:
  - ATIB Material Handling customized software with a multilingual communication system (ITA-ENG-DEU-FRA-ESP), and the possibility of entering the custom identification number (attachment, forklift, operator, product, and so on).
  - Display showing the measured values, the set clamping pressure and the detected force on 2 or 4 points (B1 | B2 | B3 | B4).
  - Print button of the detected values.
  - Shockproof Case.
- Modular aluminium frame with a very robust design and high-strength polyurethane wheels (2 of them with brakes). Easy to install and light-weight.



R. T. I. B. SRL	
20/04/22 11:49	
SUP. /POST.	319.5kg
INF. /POST.	420.0kg
SUP. /RNT.	374.0kg
INF. /RNT.	346.5kg
*****	
TOTALE	1460.0kg
PT	0.8kg
NETTO	1460.0kg
*****	
SUP. /POST.	21.9%
INF. /POST.	28.8%
SUP. /RNT.	25.6%
INF. /RNT.	23.7%

### Legend

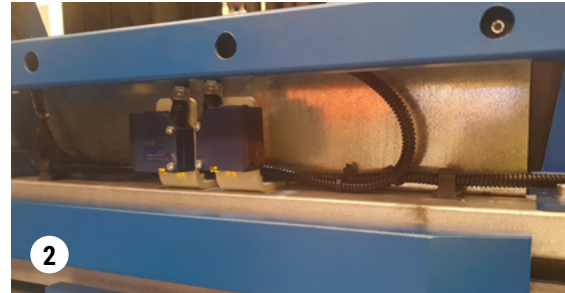
1. Arm with load cells. - 2. Assembled structure. - 3. Example of measuring with clamp. - 4. Single load cell. - 5. Multiple load cell. - 6. Control unit. - 7. Printing of the detected values.

# Logic System AUTOMATA

## Appliances Clamp

The clamp is equipped with:

1. Load detection sensors.
2. Opening detection sensors.
3. Wireless control unit.
4. Display (6"/8"/10").



Price on request



**Accessories on request**

	€
Hoses and Fitting Kit (for each hydraulic function)	-
Hoses and quick-release Couplings Kit (for each hydraulic function)	-
Pressure Gauge	-
Bronze Wear Pads	-
Quick-release Hooks	-
Solenoid valve two functions with Electric Kit	-
3 positions pressure relief valve	-
Manual Pressure-Relief Panel with Pressure Gauge and Indicator Lamp	-
Electronic Pressure-Relief Panel with Keyboard and Indicator Lamp	-
Automatic Pressure-Relief System	-
Automatic Greasing System for Semi Integral Sideshift	-
Cylinder protection Plate	-

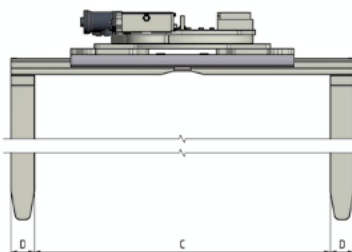
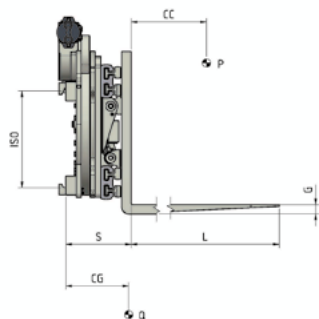
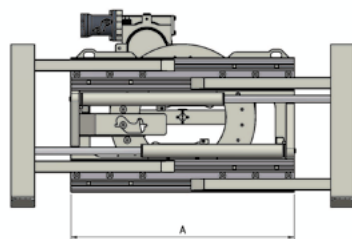
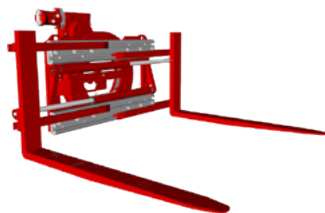
# 07 ROTATING CLAMPS

<b>301.474.170</b> 360° Rotating Fork Clamp	<b>90</b>
<b>301.474.150</b> 360° Rotating Clamp with Rotating Forks	<b>92</b>
<b>301.474.4</b> 360° Rotating Clamp with 4 Forks	<b>94</b>
<b>301.474.131</b> 360° Rotating Bale Clamp with thin blades	<b>96</b>
<b>301.474.160</b> 360° Rotating Drum Clamp for one or two Drums	<b>98</b>
<b>301.474.190</b> 360° Rotating Drum Clamp for two or four Drums	<b>99</b>
<b>636</b> 360° Rotating Drum Clamp for one Drum	<b>100</b>

Accessories

101

301.474.170 360° Rotating Fork Clamp



FEATURES

- Handling goods on pallets or by clamping and rotation of the load.
- Adjustable clamping force with hydraulic valve.
- Pressure Relief Valve.
- Non-return Valve.
- Regenerative Valve.

SPECIAL EQUIPMENT

- Custom made widths/openings.
- Custom made Forks.
- Load Backrest.
- Flat slip-on arms/Slip-on arms for drums/Slip-on arms with 90° or 180° hydraulic rotation.
- Sideshifting Valve or Semi-Integral Sideshift.

ISO (L/min)	2	3	4
Clamping	25	25	30
Rotation	20	25	30

Hydraulic Functions: 2  
Max working pressure: 175 Bar

Article	Clamping Capacity	Capacity on Forks	Load Centre of Gravity	ISO	Frame Width	Opening Range Between Forks	Forks	Thickness	Centre of Gravity	Weight	Price	
N°	PS (Kg)	PF (Kg)	CC (mm)	2328	A (mm)	C Min (mm)	C Max (mm)	DxGxL (mm)	S (mm)	CG (mm)	Q (Kg)	€
11M03AQ2A0006*	1200	1400	500	2a	850	340	1380	100x40x1200	279	159	388	-
11M03AQ2A0008	1200	1400	500	2a	950	440	1680	100x40x1200	279	161	397	-
11M03AQ2A0010	1200	1400	500	2a	1050	540	1980	100x40x1200	279	162	406	-
11M03BE2A0006*	1400	1900	500	2a	950	360	1510	100x40x1200	317	178	540	-
11M03BE2A0012	1400	1900	500	2a	1050	460	1810	100x40x1200	317	179	560	-
11M03BE2A0013	1400	1900	500	2a	1150	560	2110	100x40x1200	317	181	580	-
11M03BE2A0014	1400	1900	500	2a	1250	460	2010	100x40x1200	317	182	602	-
11M03CG2A0001*	1700	2100	500	2a	950	360	1510	100x40x1200	317	178	545	-
11M03CG2A0008	1700	2100	500	2a	1050	460	1810	100x40x1200	317	179	570	-
11M03D62A0015*	1900	2400	500	2a	1050	330	1580	120x45x1200	317	202	590	-
11M03D62A0020	1900	2400	500	2a	1150	430	1880	120x45x1200	317	204	632	-
11M03D62A0021	1900	2400	500	2a	1250	530	2180	120x45x1200	317	206	667	-
11M03D62A0022	1900	2400	500	2a	1350	630	2480	120x45x1200	317	207	691	-
11M03EY3A0020*	2400	2900	500	3a	1050	330	1580	120x45x1200	317	207	660	-
11M03EY3A0040	2400	2900	500	3a	1150	430	1880	120x45x1200	317	209	680	-
11M03G03A0025	2700	3600	500	3a	1100	470	1840	120x50x1200	350	217	840	-
11M03G03A0015*	2700	3600	500	3a	1200	320	1640	120x50x1200	350	228	830	-
11M03G03A0023	2700	3600	500	3a	1300	470	2040	120x50x1200	350	222	900	-
11M03G03A0026	2700	3600	500	3a	1400	570	2340	120x50x1200	350	224	930	-
11M03HY3A0009	3500	4500	500	3a	1200	350	1760	150x50x1200	360	250	890	-
11M03HY3A0022	3500	4500	500	3a	1300	450	2060	150x50x1200	360	236	970	-
11M03HY3A0023	3500	4500	500	3a	1400	550	2360	150x50x1200	360	239	1010	-
11M03KQ3A0001*	4500	5000	500	3a	1400	260	1790	150x60x1200	385	226	1235	-
11M03KQ3A0002*	4500	5000	500	3a	1600	260	1990	150x60x1200	385	228	1250	-
11M03KQ4A0002*	3800	4500	600	4a	1500	260	1890	150x60x1200	385	228	1270	-
11M03KQ4A0003*	3800	4500	600	4a	1600	260	1990	150x60x1200	385	230	1285	-
11M03LM4A0001*	5000	6000	600	4a	1500	260	1890	150x65x1200	390	233	1310	-
11M03LM4A0002*	5000	6000	600	4a	1700	260	2090	150x65x1200	390	263	1325	-
11M03ND4A0001*	6000	7000	600	4a	1500	260	1890	150x70x1200	440	257	1545	-
11M03ND4A0002*	6000	7000	600	4a	1700	260	2090	150x70x1200	440	260	1565	-
11M03Q54A0001*	7000	8000	600	4a	1750	160	2040	200x70x1200	455	282	1700	-
11M03Q54A0002*	7000	8000	600	4a	2000	160	2290	200x70x1200	455	296	1730	-

\* Europallet handling models

Accessories on request

SLI - Sideshifting Valve (requires an additional hydraulic function)

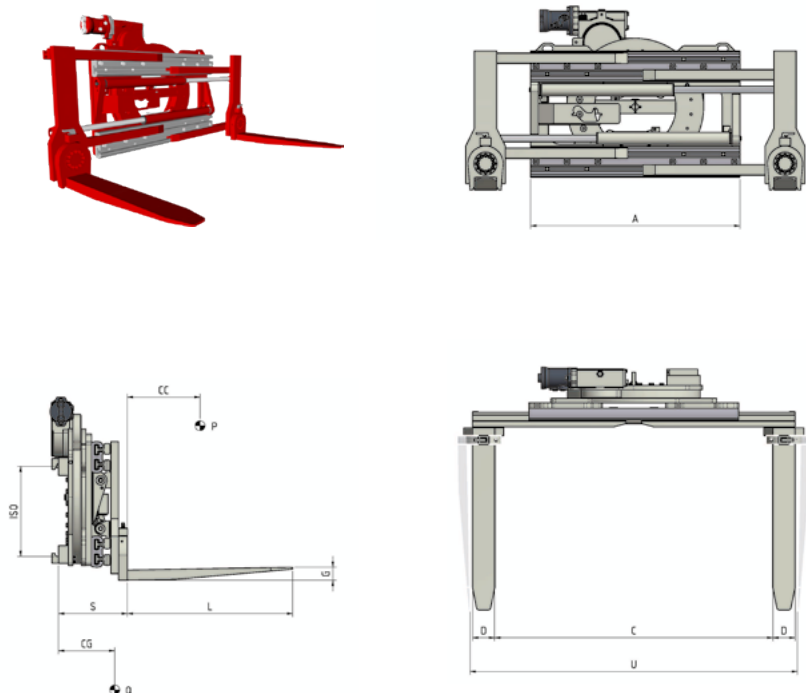
SLS - Semi-Integral Sideshift (requires an additional hydraulic function)

Bolt-on Forks

€

ISO 2	-
ISO 3	-
ISO 4	-
ISO 2	-
ISO 3	-
ISO 4	-

301.474.IS0 360° Rotating Clamp with Rotating Forks



FEATURES

- Handling goods on pallets or by clamping and rotation of the load.
- Adjustable clamping force with hydraulic valve.
- Pressure Relief Valve.
- Non-return Valve.
- Regenerative Valve.
- Manual Fork rotation or by means of cylinders actuated by a hydraulic function of the Forklift.

ISO (L/min)	2	3
Clamping	25	25
Rotation	20	25

SPECIAL EQUIPMENT

- Custom made widths/openings.
- Custom made Forks.
- Load Backrest.
- Sideshifting Valve or Semi- Integral Sideshift.

Hydraulic Functions: 2  
Max working pressure: 175 Bar

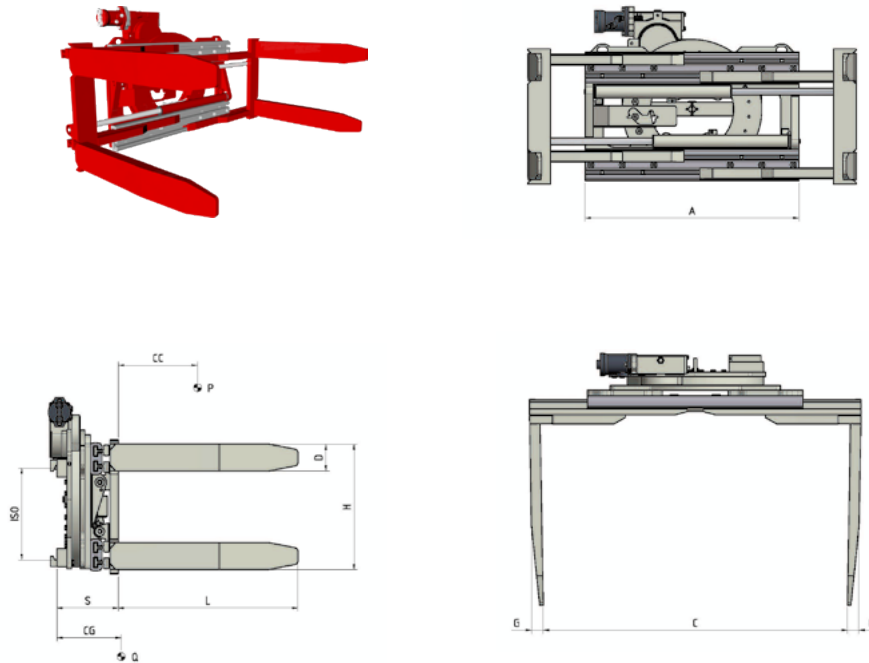
Article	Clamping Capacity	Capacity on Forks	Load Centre of Gravity	ISO	Frame Width	Opening Range Between Forks		Opening Range Between 90° Rotated Forks		Forks	Thickness	Centre of Gravity	Weight	Price
						C Min (mm)	C Max (mm)	U Min (mm)	U Max (mm)					
N°	PS (Kg)	PF (Kg)	CC (mm)	2328	A (mm)	C Min (mm)	C Max (mm)	U Min (mm)	U Max (mm)	DxGxL (mm)	S (mm)	CG (mm)	Q (Kg)	€
11M05AQ2A0005*	1200	1400	500	2a	850	340	1380	590	1630	100x45x1000	321	228	433	-
11M05AQ2A0006	1200	1400	500	2a	950	440	1680	690	1930	100x45x1000	321	226	442	-
11M05AQ2A0001	1200	1400	500	2a	1050	540	1980	790	2230	100x45x1000	321	224	451	-
11M05AQ2A0007*	1200	1400	500	2a	1050	240	1380	490	1630	100x45x1000	321	229	448	-
11M05BE2A0013*	1400	1900	500	2a	950	310	1430	605	1725	120x50x1000	357	273	557	-
11M05BE2A0004*	1400	1900	500	2a	1050	310	1530	605	1825	120x50x1000	357	268	573	-
11M05BE2A0003	1400	1900	500	2a	1150	540	2090	835	2380	120x50x1000	357	264	589	-
11M05BE2A0014	1400	1900	500	2a	1250	440	1990	735	2285	120x50x1000	357	263	594	-
11M05CG2A0005*	1700	2100	500	2a	950	310	1430	605	1725	120x50x1000	357	273	557	-
11M05CG2A0006*	1700	2100	500	2a	1050	310	1530	605	1825	120x50x1000	357	268	573	-
11M05CG2A0007*	1700	2100	500	2a	1050	240	1390	535	1685	120x50x1000	357	261	565	-
11M05D62A0002*	1900	2400	500	2a	1050	250	1450	590	1790	150x50x1000	357	250	590	-
11M05D62A0008	1900	2400	500	2a	1150	400	1850	740	2190	150x50x1000	357	246	595	-
11M05D62A0009*	1900	2400	500	2a	1150	200	1450	540	1790	150x50x1000	357	248	595	-
11M05D62A0010	1900	2400	500	2a	1250	500	2150	840	2490	150x50x1000	357	243	621	-
11M05D62A0011	1900	2400	500	2a	1350	600	2450	940	2790	150x50x1000	357	240	637	-
11M05EY3A0002*	2400	2900	500	3a	1050	250	1450	590	1790	150x50x1000	357	250	630	-
11M05EY3A0009	2400	2900	500	3a	1150	400	1850	740	2190	150x50x1000	357	246	645	-
11M05EY3A0010*	2400	2900	500	3a	1150	200	1450	540	1790	150x50x1000	357	248	635	-
11M05G03A0006	2700	3500	500	3a	1100	430	1800	790	2160	150x60x1000	409	266	828	-
11M05G03A0007	2700	3500	500	3a	1200	330	1700	690	2060	150x60x1000	409	263	854	-
11M05G03A0008	2700	3500	500	3a	1300	430	2000	790	2360	150x60x1000	409	260	872	-
11M05G03A0009	2700	3500	500	3a	1400	530	2300	890	2660	150x60x1000	409	256	908	-

\* Europallet handling models

Accessories on request €

SLI - Sideshifting Valve (requires an additional hydraulic function)	-
SLS - Semi-Integral Sideshift (requires an additional hydraulic function)	ISO 2 - ISO 3 -
Rotation of hydraulically controlled forks	-

### 301.474.4 360° Rotating Clamp with 4 Forks



#### FEATURES

- Handling goods on pallets or by clamping and rotation of the load.
- Overturning of the load to replace pallets, thanks to the couple of welded forks on each profile.
- Adjustable clamping force with hydraulic valve.
- Pressure Relief Valve.
- Non-return Valve.
- Regenerative Valve.

#### SPECIAL EQUIPMENT

- Custom made widths/openings.
- Custom made Forks.
- Load Backrest.
- Sideshifting Valve or Semi- Integral Sideshift.

	ISO (L/min)	2	3
	<b>Clamping</b>	25	25
	<b>Rotation</b>	20	25

**Hydraulic Functions: 2**  
**Max working pressure: 175 Bar**

Article	Attachment Capacity	Load Centre of Gravity	ISO	Frame Width	Opening Range		Forks	Distance	Thickness	Centre of Gravity	Weight	Price
					C Min (mm)	C Max (mm)						
N°	P (Kg)	CC (mm)	2328	A (mm)	C Min (mm)	C Max (mm)	DxGxL (mm)	H (mm)	S (mm)	CG (mm)	Q (Kg)	€
11M33AQ2A0008	1200	500	2	850	420	1460	120x45x800	560	274	142	387	-
11M33AQ2A0009	1200	500	2	950	520	1760	120x45x800	560	274	147	394	-
11M33AQ2A0010	1200	500	2	1050	620	2060	120x45x800	560	274	158	403	-
11M33BE2A0014	1400	500	2	950	420	1570	120x50x1000	560	307	281	588	-
11M33BE2A0015	1400	500	2	1050	520	1870	120x50x1000	560	307	301	608	-
11M33BE2A0016	1400	500	2	1150	620	2170	120x50x1000	560	307	301	632	-
11M33BE2A0017	1400	500	2	1250	520	2070	120x50x1000	560	307	312	662	-
11M33CG2A0006	1700	500	2	950	420	1570	120x50x1000	560	307	281	588	-
11M33CG2A0007	1700	500	2	1050	520	1870	120x50x1000	560	307	291	604	-
11M33D62A0001	1900	500	2	1050	430	1680	150x50x1000	560	312	303	608	-
11M33D62A0002	1900	500	2	1150	530	1980	150x50x1000	560	312	316	624	-
11M33D62A0003	1900	500	2	1250	630	2280	150x50x1000	560	312	329	640	-
11M33EY3A0001	2400	500	3	1050	430	1680	150x50x1150	560	312	303	681	-
11M33EY3A0002	2400	500	3	1150	530	1980	150x50x1150	560	312	316	705	-
11M33G03A0001	2700	500	3	1100	570	1940	180x50x1150	560	350	356	874	-
11M33G03A0002	2700	500	3	1200	470	1840	180x50x1150	560	350	364	904	-
11M33G03A0003	2700	500	3	1300	570	2140	180x50x1150	560	350	373	941	-
11M33G03A0004	2700	500	3	1400	670	2440	180x50x1150	560	350	394	980	-
11M33HY3A0001	3500	500	3	1200	490	1900	200x60x1200	560	360	375	949	-
11M33HY3A0002	3500	500	3	1300	590	2100	200x60x1200	560	360	382	974	-
11M33HY3A0003	3500	500	3	1400	690	2500	200x60x1200	560	360	389	998	-

#### Accessories on request

**SLI** - Sideshifting Valve (requires an additional hydraulic function)

**SLS** - Semi-Integral Sideshift (requires an additional hydraulic function)

Side wall for load containment fixed version

Side wall for load containment hydraulic version of 150 mm (requires an additional hydraulic function)

€

-

-

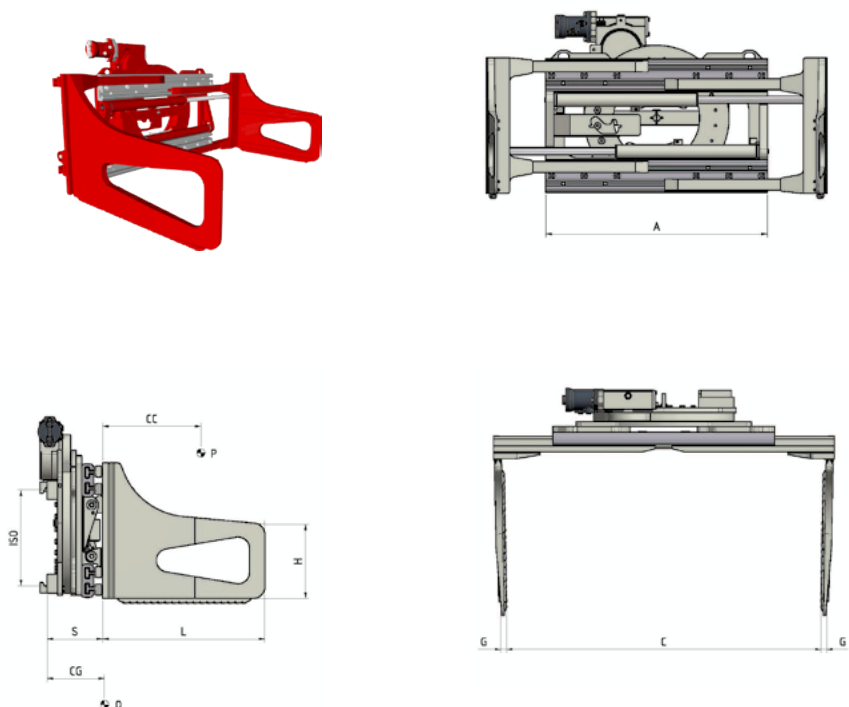
-

-

-



301.474.IB1 360° Rotating Bale Clamp with thin blades



**FEATURES**

- Thin welded full penetration arms.
- Handling of Bales of paper, carton, plastic, junk, other materials.
- Handling goods by clamping and rotation.
- Adjustable clamping force with hydraulic valve.
- Pressure Relief Valve.
- Non-return Valve.
- Regenerative Valve.

	ISO (L/min)	2	3
+	<b>Clamping</b>	25	25
↻	<b>Rotation</b>	20	25

**SPECIAL EQUIPMENT**

- Custom made widths/openings.
- Custom made Blades.
- Load Backrest.
- Sideshifting Valve or Semi-Integral Sideshift.

**Hydraulic Functions: 2**  
**Max working pressure: 175 Bar**

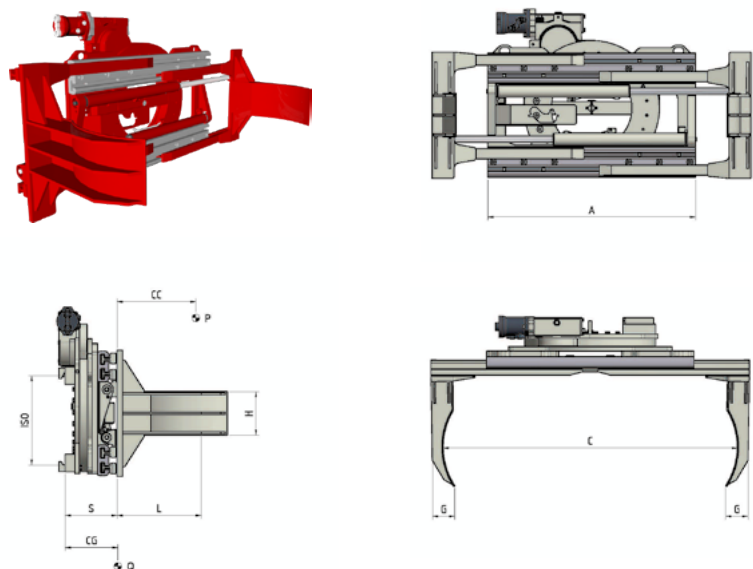
Accessories page 101

Article	Attachment Capacity	Load Centre of Gravity	ISO	Frame Width	Opening Range		Blades	Thickness	Centre of Gravity	Weight	Price
					C Min (mm)	C Max (mm)					
N°	P (Kg)	CC (mm)	2328	A (mm)	C Min (mm)	C Max (mm)	GxHxL (mm)	S (mm)	CG (mm)	Q (Kg)	€
11M07AQ2A0001	1200	500	2	850	420	1460	21x350x900	234	220	450	-
11M07AQ2A0002	1200	500	2	950	520	1760	21x350x900	234	218	453	-
11M07AQ2A0003	1200	500	2	1050	620	2060	21x350x900	234	217	468	-
11M07BE2A0003	1400	500	2	950	420	1570	21x400x1000	267	263	588	-
11M07BE2A0002	1400	500	2	1050	520	1870	21x400x1000	267	261	608	-
11M07BE2A0004	1400	500	2	1150	620	2170	21x400x1000	267	259	620	-
11M07BE2A0005	1400	500	2	1250	520	2070	21x400x1000	267	257	636	-
11M07CG2A0003	1700	500	2	950	420	1570	21x400x1000	267	263	588	-
11M07CG2A0001	1700	500	2	1050	520	1870	21x400x1000	267	261	604	-
11M07D62A0002	1900	500	2	1050	420	1670	23x400x1000	267	268	609	-
11M07D62A0004	1900	500	2	1150	520	1970	23x400x1000	267	266	625	-
11M07D62A0005	1900	500	2	1250	620	2270	23x400x1000	267	263	641	-
11M07D62A0006	1900	500	2	1350	720	2570	23x400x1000	267	261	657	-
11M07EY3A0002	2400	500	3	1050	420	1670	23x400x1000	267	249	680	-
11M07EY3A0003	2400	500	3	1150	520	1970	23x400x1000	267	244	694	-
11M07G03A0004	2700	500	3	1100	540	1910	26x400x1000	292	290	940	-
11M07G03A0005	2700	500	3	1100	530	1900	26x400x1200	292	348	984	-
11M07G03A0006	2700	500	3	1200	440	1810	26x400x1000	292	285	964	-
11M07G03A0007	2700	500	3	1200	430	1800	26x400x1200	292	370	1010	-
11M07G03A0008	2700	500	3	1300	540	2110	26x400x1000	292	280	990	-
11M07G03A0003	2700	500	3	1300	530	2100	26x400x1200	292	338	1035	-
11M07G03A0009	2700	500	3	1400	640	2410	26x400x1000	292	275	1015	-
11M07G03A0010	2700	500	3	1400	630	2400	26x400x1200	292	334	1060	-
11M07HY3A0001	3500	500	3	1200	470	1880	29x500x1200	302	378	1150	-
11M07HY3A0002	3500	500	3	1200	460	1870	29x500x1500	302	462	1270	-
11M07HY3A0003	3500	500	3	1300	570	2180	29x500x1200	302	382	1190	-
11M07HY3A0004	3500	500	3	1300	560	2170	29x500x1500	302	458	1290	-
11M07HY3A0005	3500	500	3	1400	670	2480	29x500x1200	302	379	1200	-
11M07HY3A0006	3500	500	3	1400	660	2470	29x500x1500	302	454	1310	-

**Accessories on request** €

SLI - Sideshifting Valve (requires an additional hydraulic function)	-
SLS - Semi-Integral Sideshift (requires an additional hydraulic function)	ISO 2 - ISO 3 -
Wear-resistant Plates under the Frame	-
Wear-resistant Plates under the Blades	-

**301.474.160** 360° Rotating Drum Clamp for one or two Drums



**FEATURES**

- Clamping and rotation of 1 or 2 Drums at once. • Adjustable clamping force with hydraulic valve. • Pressure Relief Valve. • Non-return Valve. • Regenerative Valve.

**SPECIAL EQUIPMENT**

- Custom made widths/openings. • Custom made Blades. • Load Backrest. • "V" shaped Plates for gripping drums with different diameters. • Sideshifting Valve or Semi-Integral Sideshift.

Article	Attachment Capacity	Load Centre of Gravity	ISO	Frame Width	Opening Range		Blades	Thickness	Centre of Gravity	Weight	Price
Nº	P (Kg)	CC (mm)	2328	A (mm)	C Min (mm)	C Max (mm)	GxHxL (mm)	S (mm)	CG (mm)	Q (Kg)	€
11M23AQ2A0001	1200	330	2	950	490	1730	100x200x330	234	132	390	-
11M23BE2A0001	1400	330	2	950	450	1600	100x200x330	267	146	476	-

**Accessories on request** €

**SLI** - Sideshifting Valve (requires an additional hydraulic function) -

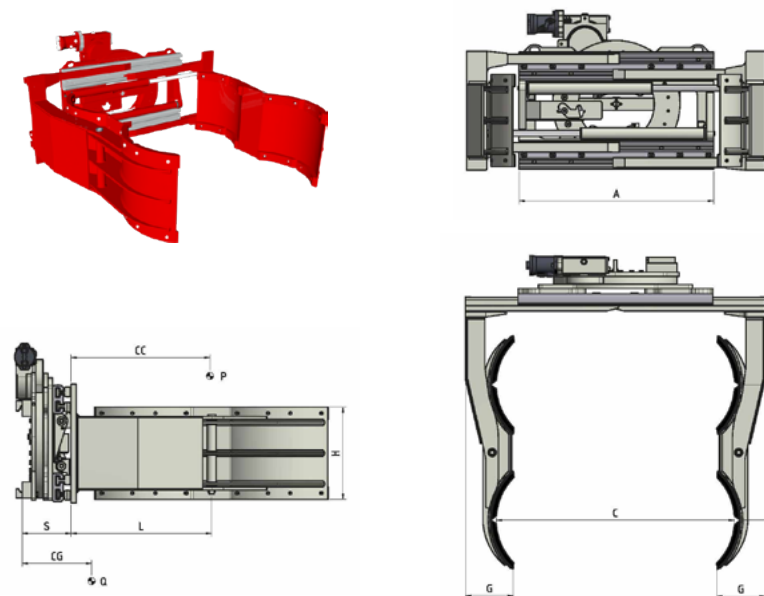
**SLS** - Semi-Integral Sideshift (requires an additional hydraulic function) **ISO 2** -

ISO (L/min)	2
Clamping	25
Rotation	20

**Hydraulic Functions: 2**  
**Max working pressure: 175 Bar**

Accessories page **101**

**301.474.190** 360° Rotating Drum Clamp for two or four Drums



**FEATURES**

- Clamping and rotation of 2 or 4 Drums at once. • Adjustable clamping force with hydraulic valve. • Pressure Relief Valve. • Non-return Valve. • Regenerative Valve.

**SPECIAL EQUIPMENT**

- Custom made widths/openings. • Custom made Blades. • Load Backrest. • "V" shaped Plates for gripping drums with different diameters. • Sideshifting Valve or Semi-Integral Sideshift.

Article	Attachment Capacity	Load Centre of Gravity	ISO	Frame Width	Opening Range		Blades	Distance	Thickness	Centre of Gravity	Weight	Price
Nº	P (Kg)	CC (mm)	2328	A (mm)	C Min (mm)	C Max (mm)	GxHxL (mm)	H (mm)	S (mm)	CG (mm)	Q (Kg)	€
11M24AQ2A0001	1200	670	2	950	340	1340	236x450x690	660	234	371	442	-
11M24D62A0001	1900	675	2	1050	270	1520	238x450x700	660	267	305	700	-

**Accessories on request** €

**SLI** - Sideshifting Valve (requires an additional hydraulic function) -

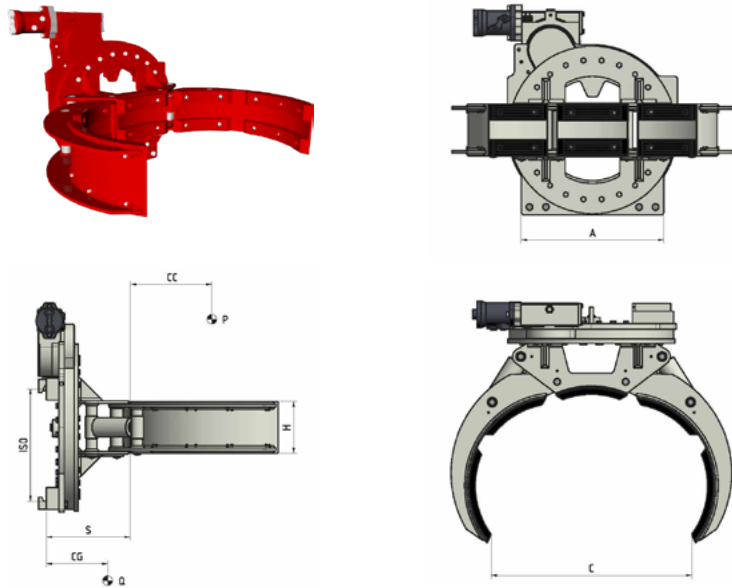
**SLS** - Semi-Integral Sideshift (requires an additional hydraulic function) **ISO 2** -

ISO (L/min)	2
Clamping	25
Rotation	20

**Hydraulic Functions: 2**  
**Max working pressure: 175 Bar**

Accessories page **101**

**636** 360° Rotating Drum Clamp for one Drum



**FEATURES**

- Clamping and rotation of a single drum. • Adjustable clamping force with hydraulic valve. • Pressure Relief Valve. • Non-return Valve. • Regenerative Valve.

**SPECIAL EQUIPMENT**

- Custom made widths/openings. • Custom made Blades. • Load Backrest. • Semi-Integral Sideshift.

Article	Attachment Capacity	Load Centre of Gravity	ISO	Frame Width	Drums Diameter		Blades Height	Thickness	Centre of Gravity	Weight	Price
Nº	P (Kg)	CC (mm)	2328	A (mm)	C Min (mm)	C Max (mm)	H (mm)	S (mm)	CG (mm)	Q (Kg)	€
<b>49H2C0001</b>	300	335	2	800	600	700	190	315	153	240	-

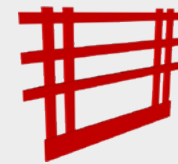
**Accessories on request**

**SLS** - Semi-Integral Sideshift (requires an additional hydraulic function)

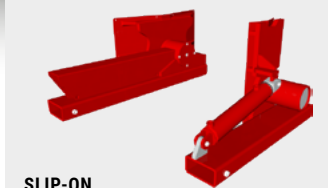
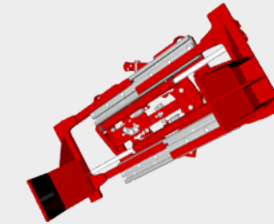
**ISO 2**

Icon	ISO (L/min)	Value
⬆️	<b>Clamping</b>	20
↻	<b>Rotation</b>	20

**Hydraulic Functions: 2**  
**Max working pressure: 175 Bar**



**LOAD BACKREST**



**SLIP-ON ARMS**

**Accessories on request**

Hoses and Fitting Kit (for each hydraulic function)	-
Hoses and quick-release Couplings Kit (for each hydraulic function)	-
Pressure Gauge	-
Bronze Wear Pads	-
Quick-release Hooks	-
Solenoid valve two functions with Electric Kit	-
3 positions pressure relief valve	-
Manual Pressure-Relief Panel with Pressure Gauge and Indicator Lamp	-
Electronic Pressure-Relief Panel with Keyboard and Indicator Lamp	-
Automatic Pressure-Relief System	-
Mechanical block of the rotation	-
Automatic Greasing System for Semi Integral Sideshift	-
Cylinder protection Plate	-

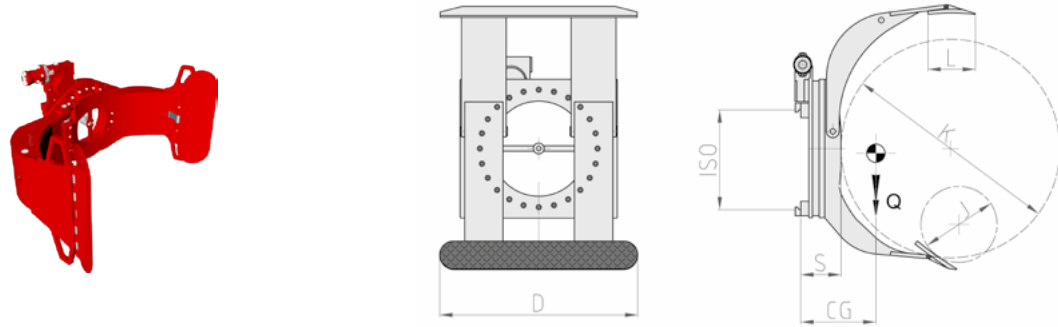
## 08

ROLL AND  
TYRES CLAMPS

<b>340 SF</b> 360° Rotating Roll Clamp with short fixed arm	104
<b>340 SM</b> 360° Rotating Roll Clamp with adjustable arms	105
<b>340 DF</b> 360° Rotating Roll Clamp with short fixed arm and long split arm	106
<b>340 DM</b> 360° Rotating Roll Clamp with adjustable arms and long split arm	107
<b>340 TF</b> 360° Rotating TISSUE Roll Clamp with short fixed arm	108
<b>340 TM</b> 360° Rotating TISSUE Roll Clamp with adjustable arms	109
<b>342 SF</b> 360° Rotating Roll Clamp with 90° forward tipping and short fixed arm	110
<b>342 SM</b> 360° Rotating Roll Clamp with 90° forward tipping and adjustable arms	111
<b>343 SF</b> Roll Clamp with 90° forward tipping and short fixed arm	112
<b>343 SM</b> Roll Clamp with 90° forward tipping and adjustable arms	113
<b>364</b> Roll Clamp with reduced heights	114
<b>340 PN</b> Tyres Clamp	115

Accessories	117
-------------	-----

**340 SF** 360° Rotating Roll Clamp with short fixed arm



**FEATURES**

- Clamping and rotation of one or more overlapping rolls of the same diameter.
- Short fixed arm and long entire arm.
- 360° or 180° rotation with mechanical block.

**SPECIAL EQUIPMENT**

- Custom made capacities/openings.
- Custom made Contact Pads.
- Rotating or Fixed Clamp with parallel arms with reduced dimensions for container loading/unloading operations.

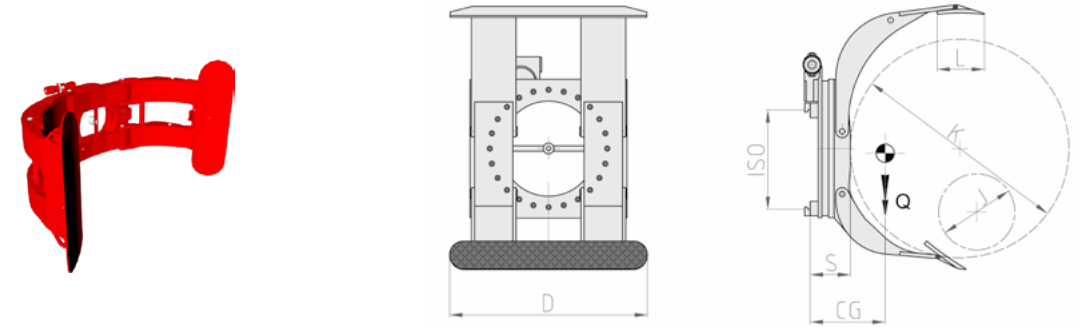
Article N°	Attachment Capacity P (Kg)	ISO	Rolls Diameter		Contact Pads DxL (mm)	Thickness S (mm)	Centre of Gravity CG (mm)	Weight Q (Kg)	Price €
			J (mm)	K (mm)					
21G002G2C0001	900	2	350	1100	700x200	178	200	400	-
21G002G2C0002	900	2	350	1400	700x200	178	205	480	-
21G002Q2C0001	1300	2	400	1150	750x250	186	220	520	-
21G002Q2C0002	1300	2	400	1300	750x250	186	230	525	-
21G00342C0003	2000	2	400	1300	850x250	202	235	620	-
21G00343C0002	2000	3	400	1300	850x250	202	235	750	-
21G00343C0003	2000	3	400	1600	850x250	202	240	820	-
21G003G3C0004	2600	3	550	1300	900x250	215	245	870	-
21G003G3C0005	2600	3	750	1600	900x250	215	255	940	-
21G003Q3C0003	3000	3	400	1300	1015x300	225	260	990	-
21G003W4C0001	3600	4	750	1800	1050x300	255	275	1440	-

	ISO (L/min)	2	3	4
☞☜	<b>Clamping</b>	25	30	35
↻	<b>Rotation</b>	25	25	35

**Hydraulic Functions: 2**  
Max working pressure: 175 Bar

Accessories page 117

**340 SM** 360° Rotating Roll Clamp with adjustable arms



**FEATURES**

- Clamping and rotation of one or more overlapping rolls of the same diameter.
- Short adjustable arm and long entire arm.
- 360° or 180° rotation with mechanical block.

**SPECIAL EQUIPMENT**

- Custom made capacities/openings.
- Custom made Contact Pads.
- Rotating or Fixed Clamp with parallel arms with reduced dimensions for container loading/unloading operations.

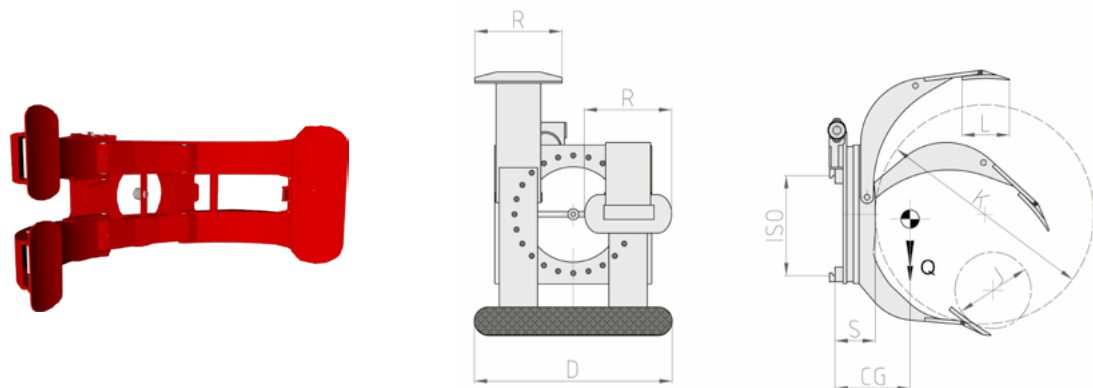
Article N°	Attachment Capacity P (Kg)	ISO	Rolls Diameter		Contact Pads DxL (mm)	Thickness S (mm)	Centre of Gravity CG (mm)	Weight Q (Kg)	Price €
			J (mm)	K (mm)					
21G012G2C0001	900	2	250	1100	700x200	178	205	460	-
21G012G2C0002	900	2	250	1400	700x200	178	210	520	-
21G012Q2C0001	1300	2	250	1150	750x250	186	225	550	-
21G012Q2C0002	1300	2	250	1300	750x250	186	235	575	-
21G01342C0001	2000	2	250	1300	850x250	202	240	670	-
21G01343C0002	2000	3	250	1300	850x250	202	240	790	-
21G01343C0003	2000	3	250	1600	850x250	202	245	960	-
21G013G3C0004	2600	3	300	1300	900x250	215	250	860	-
21G013G3C0005	2600	3	480	1600	900x250	215	260	995	-
21G013Q3C0001	3000	3	250	1300	1015x300	225	265	1060	-
21G013W4C0001	3600	4	480	1800	1050x300	255	270	1495	-

	ISO (L/min)	2	3	4
☞☜	<b>Clamping</b>	25	30	35
↻	<b>Rotation</b>	25	25	35

**Hydraulic Functions: 2**  
Max working pressure: 175 Bar

Accessories page 117

**340 DF** 360° Rotating Roll Clamp with short fixed arm and long split arm



**FEATURES**

- Clamping and rotation of one or more overlapping rolls of different diameters.
- Short fixed arm and long split arm.
- 360° or 180° rotation with mechanical block.

**SPECIAL EQUIPMENT**

- Custom made capacities/openings.
- Custom made Contact Pads.
- Rotating or Fixed Clamp with parallel arms with reduced dimensions for container loading/unloading operations.

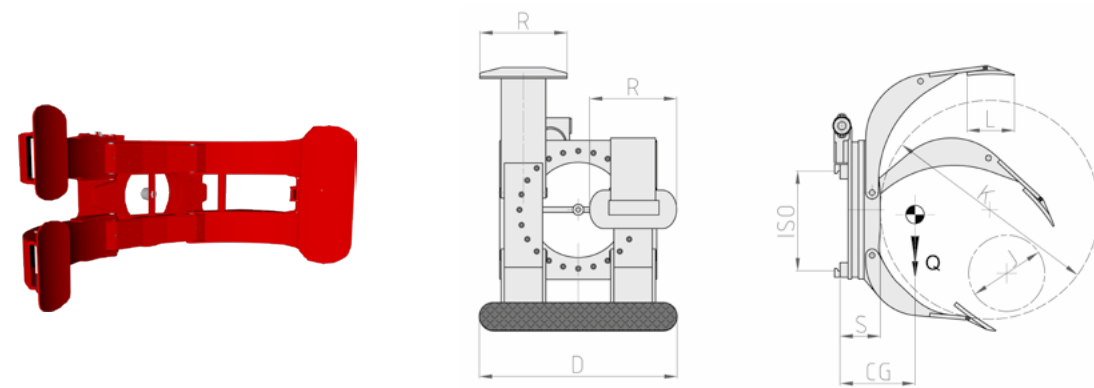
Article N°	Attachment Capacity P (Kg)	ISO 2328	Rolls Diameter		Short Arm Contact Pad DxL (mm)	Long Arm Contact Pads RxL (mm)	Thickness S (mm)	Centre of Gravity CG (mm)	Weight Q (Kg)	Price €
			J (mm)	K (mm)						
21G022G2C0001	900	2	350	1100	700x200	310x200	178	200	420	-
21G022G2C0002	900	2	350	1400	700x200	310x200	178	205	470	-
21G022Q2C0001	1300	2	400	1150	750x250	315x250	186	220	480	-
21G022Q2C0002	1300	2	400	1300	750x250	315x250	186	230	515	-
21G02342C0001	2000	2	400	1300	850x250	365x250	202	235	605	-
21G02343C0001	2000	3	400	1300	850x250	365x250	202	235	735	-
21G02343C0003	2000	3	400	1600	850x250	365x250	202	240	805	-
21G023G3C0003	2600	3	550	1300	900x250	390x250	215	245	855	-
21G023G3C0004	2600	3	750	1600	900x250	390x250	215	255	915	-
21G023Q3C0001	3000	3	400	1300	1015x300	445x300	225	260	970	-
21G023W4C0001	3600	4	750	1800	1050x300	465x300	255	275	1410	-

	ISO (L/min)	2	3	4
+	<b>Clamping</b>	25	30	35
↻	<b>Rotation</b>	25	25	35

**Hydraulic Functions: 2**  
**Max working pressure: 175 Bar**

Accessories page 117

**340 DM** 360° Rotating Roll Clamp with adjustable arms and long split arm



**FEATURES**

- Clamping and rotation of one or more overlapping rolls of different diameters.
- Short adjustable arm and long split arm.
- 360° or 180° rotation with mechanical block.

**SPECIAL EQUIPMENT**

- Custom made capacities/openings.
- Custom made Contact Pads.
- Rotating or Fixed Clamp with parallel arms with reduced dimensions for container loading/unloading operations.

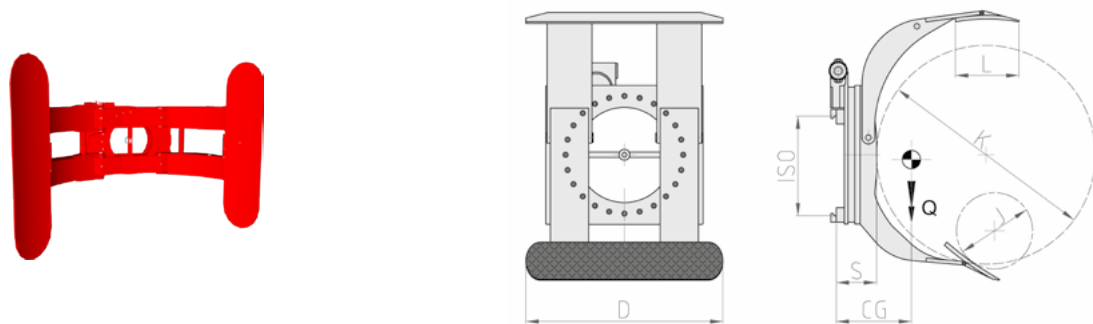
Article N°	Attachment Capacity P (Kg)	ISO 2328	Rolls Diameter		Short Arm Contact Pad DxL (mm)	Long Arm Contact Pads RxL (mm)	Thickness S (mm)	Centre of Gravity CG (mm)	Weight Q (Kg)	Price €
			J (mm)	K (mm)						
21G032G2C0001	900	2	250	1100	700x200	310x200	178	205	445	-
21G032G2C0002	900	2	250	1400	700x200	310x200	178	210	505	-
21G032Q2C0001	1300	2	250	1150	750x250	315x250	186	225	540	-
21G032Q2C0002	1300	2	250	1300	750x250	315x250	186	235	560	-
21G03342C0001	2000	2	250	1300	850x250	365x250	202	240	650	-
21G03343C0001	2000	3	250	1300	850x250	365x250	202	240	770	-
21G03343C0002	2000	3	250	1600	850x250	365x250	202	245	840	-
21G033G3C0003	2600	3	300	1300	900x250	390x250	215	250	910	-
21G033G3C0004	2600	3	480	1600	900x250	390x250	215	260	975	-
21G033Q3C0001	3000	3	250	1300	1015x300	445x300	225	265	1030	-
21G033W4C0001	3600	4	480	1800	1050x300	465x300	255	270	1465	-

	ISO (L/min)	2	3	4
+	<b>Clamping</b>	25	30	35
↻	<b>Rotation</b>	25	25	35

**Hydraulic Functions: 2**  
**Max working pressure: 175 Bar**

Accessories page 117

**340 TF** 360° Rotating TISSUE Roll Clamp with short fixed arm



**FEATURES**

- Clamping and rotation of one or more overlapping rolls of the same diameter.
- Short fixed arm and long entire arm.
- 360° or 180° rotation with mechanical block.

**SPECIAL EQUIPMENT**

- Custom made capacities/openings.
- Custom made Contact Pads.
- Rotating or Fixed Clamp with parallel arms with reduced dimensions for container loading/unloading operations.

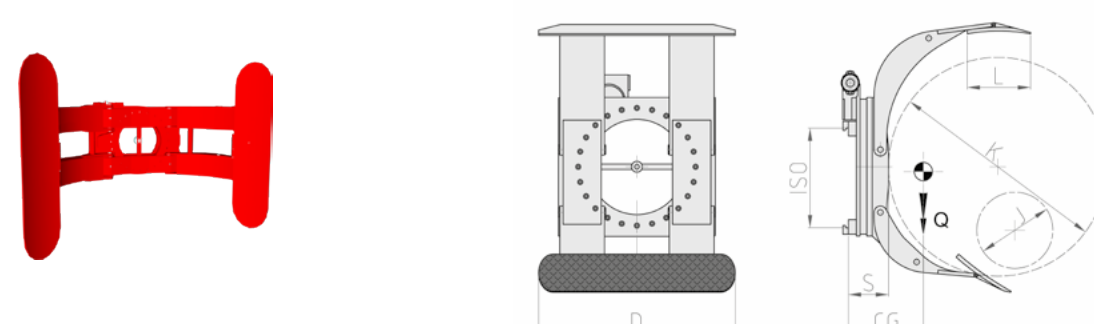
Article N°	Attachment Capacity P (Kg)	ISO	Rolls Diameter		Contact Pads DxL (mm)	Thickness S (mm)	Centre of Gravity CG (mm)	Weight Q (Kg)	Price €
			J (mm)	K (mm)					
21G042G2C0001	900	2	350	1400	850x300	178	215	495	-
21G042Q2C0001	1300	2	400	1600	1300x350	186	250	620	-
21G04343C0001	2000	3	400	1600	1400x350	202	260	835	-
21G043G3C0001	2600	3	750	1800	1400x350	215	275	1350	-
21G043G4C0007	2600	4	1000	2400	1400x350	270	285	1870	-

	ISO (L/min)	2	3	4
+	<b>Clamping</b>	25	30	30
↻	<b>Rotation</b>	25	25	30

Hydraulic Functions: 2  
Max working pressure: 175 Bar

Accessories page 117

**340 TM** 360° Rotating TISSUE Roll Clamp with adjustable arms



**FEATURES**

- Clamping and rotation of one or more overlapping rolls of the same diameter.
- Short adjustable arm and long entire arm.
- 360° or 180° rotation with mechanical block.

**SPECIAL EQUIPMENT**

- Custom made capacities/openings.
- Custom made Contact Pads.
- Rotating or Fixed Clamp with parallel arms with reduced dimensions for container loading/unloading operations.

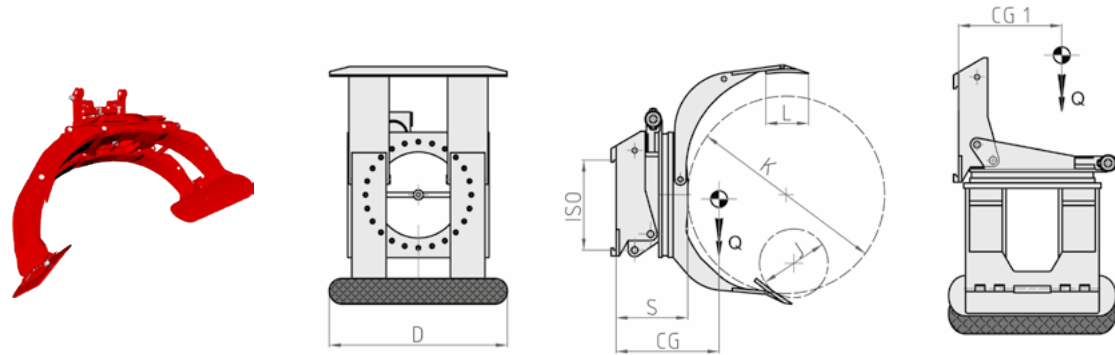
Article N°	Attachment Capacity P (Kg)	ISO	Rolls Diameter		Contact Pads DxL (mm)	Thickness S (mm)	Centre of Gravity CG (mm)	Weight Q (Kg)	Price €
			J (mm)	K (mm)					
21G052G2C0001	900	2	250	1400	850x300	178	220	525	-
21G052Q2C0001	1300	2	250	1600	1300x350	186	255	650	-
21G05343C0001	2000	3	250	1600	1400x350	202	265	1025	-
21G053G3C0001	2600	3	480	1800	1400x350	215	280	1140	-
21G053G4C0005	2600	4	480	2400	1400x350	270	285	1980	-

	ISO (L/min)	2	3	4
+	<b>Clamping</b>	25	30	30
↻	<b>Rotation</b>	25	25	30

Hydraulic Functions: 2  
Max working pressure: 175 Bar

Accessories page 117

**342 SF** 360° Rotating Roll Clamp with 90° forward tipping and short fixed arm



**FEATURES**

- Clamping and rotation of one or more overlapping rolls of the same diameter.
- Short fixed arm and long entire arm.
- 360° or 180° rotation with mechanical block.
- 90° frontal tipping to take rolls lying perpendicularly to the Forklift.

**SPECIAL EQUIPMENT**

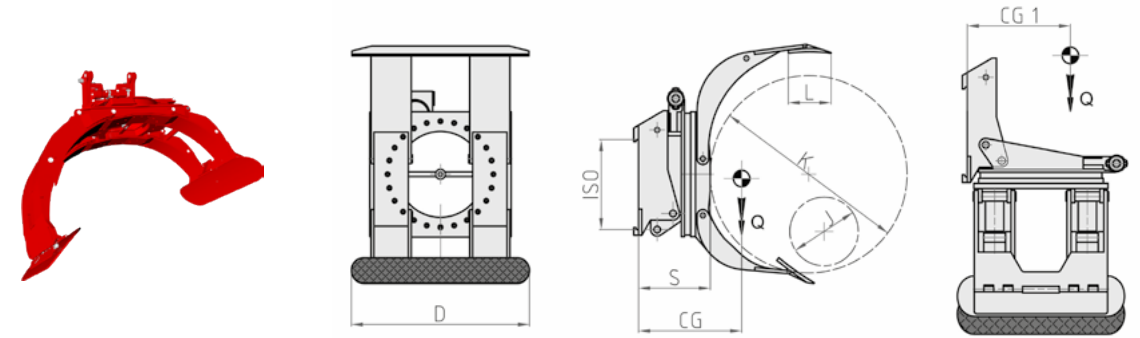
- Custom made capacities/openings.
- Custom made Contact Pads.
- Rotating or Fixed Clamp with parallel arms with reduced dimensions for container loading/unloading operations.

Article	Attachment Capacity	ISO	Rolls Diameter		Contact Pads	Thickness	Centre of Gravity	Centre of Gravity	Weight	Price
			J (mm)	K (mm)						
Nº	P (Kg)	2328	J (mm)	K (mm)	DxL (mm)	S (mm)	CG (mm)	CG1 (mm)	Q (Kg)	€
21J002G2C0001	900	2	350	1100	700x200	295	265	390	640	-
21J002G2C0002	900	2	350	1400	700x200	295	270	410	690	-
21J002Q2C0001	1300	2	400	1150	750x250	295	285	430	705	-
21J002Q2C0002	1300	2	400	1300	750x250	295	290	440	740	-
21J00342C0001	2000	2	400	1300	850x250	310	300	470	820	-
21J00343C0001	2000	3	400	1300	850x250	335	300	470	1020	-
21J00343C0002	2000	3	400	1600	850x250	335	305	490	1090	-
21J003G3C0001	2600	3	550	1300	900x250	370	310	500	1195	-
21J003G3C0002	2600	3	750	1600	900x250	370	320	530	1260	-
21J003Q3C0001	3000	3	400	1300	1015x300	380	325	525	1510	-
21J003W4C0001	3600	4	750	1800	1050x300	420	330	575	1840	-

ISO (L/min)	2	3	4
Clamping	25	30	35
Rotation	25	25	35
Tipping	20	20	25

Hydraulic Functions: 3  
Max working pressure: 175 Bar

**342 SM** 360° Rotating Roll Clamp with 90° forward tipping and adjustable arms



**FEATURES**

- Clamping and rotation of one or more overlapping rolls of the same diameter.
- Short adjustable arm and long entire arm.
- 360° or 180° rotation with mechanical block.
- 90° frontal tipping to take rolls lying perpendicularly to the Forklift.

**SPECIAL EQUIPMENT**

- Custom made capacities/openings.
- Custom made Contact Pads.
- Rotating or Fixed Clamp with parallel arms with reduced dimensions for container loading/unloading operations.

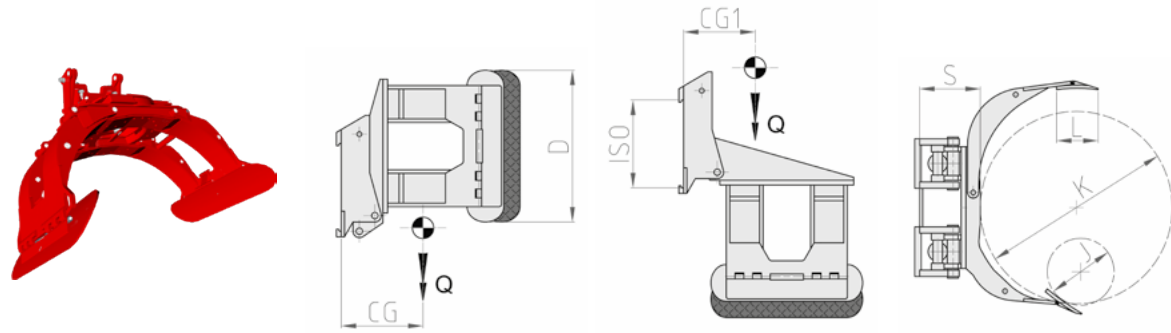
Article	Attachment Capacity	ISO	Rolls Diameter		Contact Pads	Thickness	Centre of Gravity	Centre of Gravity	Weight	Price
			J (mm)	K (mm)						
Nº	P (Kg)	2328	J (mm)	K (mm)	DxL (mm)	S (mm)	CG (mm)	CG1 (mm)	Q (Kg)	€
21J012G2C0001	900	2	250	1100	700x200	295	270	395	700	-
21J012G2C0002	900	2	250	1400	700x200	295	275	415	740	-
21J012Q2C0001	1300	2	250	1150	750x250	295	290	435	760	-
21J012Q2C0002	1300	2	250	1300	750x250	295	295	445	790	-
21J01342C0001	2000	2	250	1300	850x250	310	305	475	890	-
21J01343C0001	2000	3	250	1300	850x250	335	305	475	1080	-
21J01343C0002	2000	3	250	1600	850x250	335	310	495	1150	-
21J013G3C0001	2600	3	300	1300	900x250	370	315	505	1265	-
21J013G3C0002	2600	3	480	1600	900x250	370	325	535	1320	-
21J013Q3C0001	3000	3	250	1300	1015x300	380	330	530	1580	-
21J013W4C0001	3600	4	480	1800	1050x300	420	335	580	1920	-

ISO (L/min)	2	3	4
Clamping	25	30	35
Rotation	25	25	35
Tipping	20	20	25

Hydraulic Functions: 3  
Max working pressure: 175 Bar



**343 SF** Roll Clamp with 90° forward tipping and short fixed arm



**FEATURES**

- Short fixed arm and long entire arm. • 90° frontal tipping to take rolls lying perpendicularly to the Forklift.

**SPECIAL EQUIPMENT**

- Custom made capacities/openings. • Custom made Contact Pads. • Rotating or Fixed Clamp with parallel arms with reduced dimensions for container loading/unloading operations.

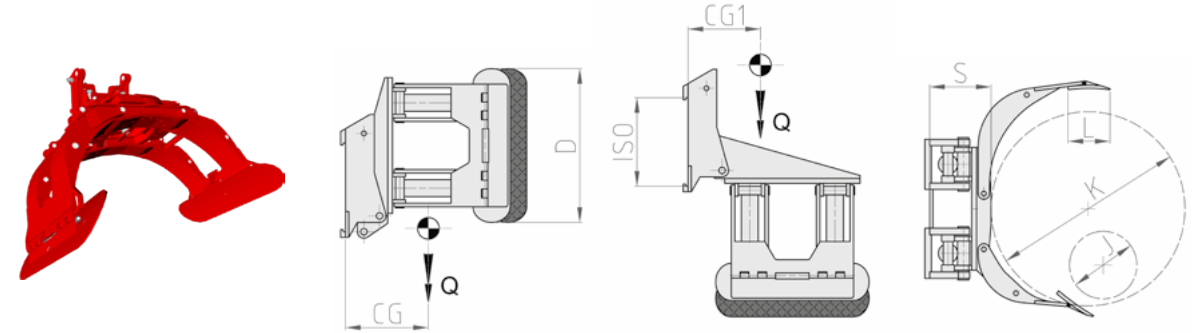
Article N°	Attachment Capacity P (Kg)	ISO 2328	Rolls Diameter		Contact Pads DxL (mm)	Thickness S (mm)	Centre of Gravity CG (mm)	Centre of Gravity CG1 (mm)	Weight Q (Kg)	Price €
			J (mm)	K (mm)						
21K002G2C0001	900	2	350	1100	700x200	235	215	320	510	-
21K002G2C0002	900	2	350	1400	700x200	235	220	340	560	-
21K002Q2C0001	1300	2	400	1150	750x250	235	235	360	590	-
21K002Q2C0002	1300	2	400	1300	750x250	235	240	370	615	-
21K00342C0001	2000	2	400	1300	850x250	250	250	400	730	-
21K00343C0001	2000	3	400	1300	850x250	265	250	400	800	-
21K00343C0002	2000	3	400	1600	850x250	265	255	420	850	-
21K003G3C0001	2600	3	550	1300	900x250	300	260	430	990	-
21K003G3C0002	2600	3	750	1600	900x250	300	270	460	1040	-
21K003Q3C0001	3000	3	400	1300	1015x300	310	275	455	1070	-
21K003W4C0001	3600	4	750	1800	1050x300	320	280	505	1495	-

ISO (L/min)	2	3	4
Clamping	25	30	35
Tipping	20	20	25

Hydraulic Functions: 2  
Max working pressure: 175 Bar

Accessories page 117

**343 SM** Roll Clamp with 90° forward tipping and adjustable arms



**FEATURES**

- Short adjustable arm and long entire arm. • 90° frontal tipping to take rolls lying perpendicularly to the Forklift.

**SPECIAL EQUIPMENT**

- Custom made capacities/openings. • Custom made Contact Pads. • Rotating or Fixed Clamp with parallel arms with reduced dimensions for container loading/unloading operations.

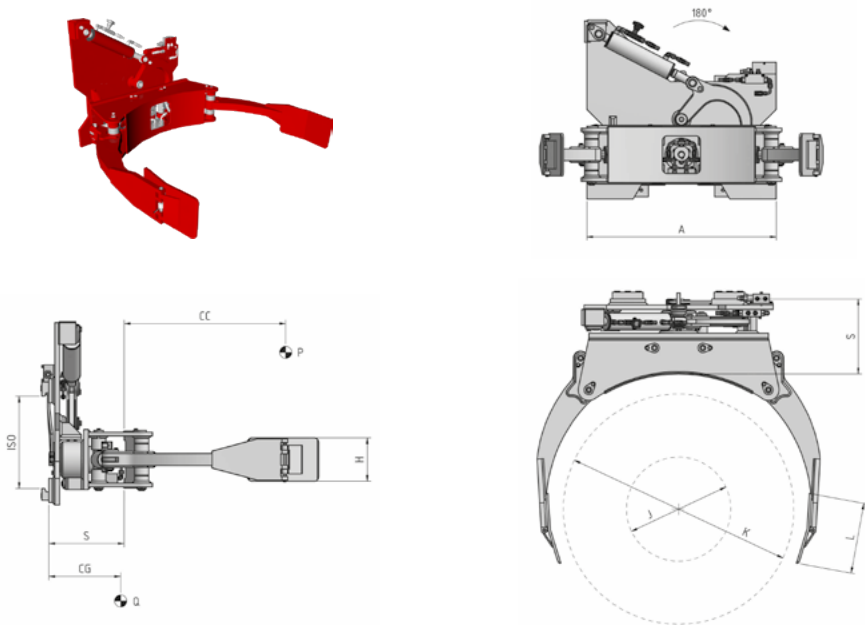
Article N°	Attachment Capacity P (Kg)	ISO 2328	Rolls Diameter		Contact Pads DxL (mm)	Thickness S (mm)	Centre of Gravity CG (mm)	Centre of Gravity CG1 (mm)	Weight Q (Kg)	Price €
			J (mm)	K (mm)						
21K012G2C0001	900	2	250	1100	700x200	235	220	325	560	-
21K012G2C0002	900	2	250	1400	700x200	235	225	345	610	-
21K012Q2C0001	1300	2	250	1150	750x250	235	240	365	640	-
21K012Q2C0002	1300	2	250	1300	750x250	235	245	375	665	-
21K01342C0001	2000	2	250	1300	850x250	250	255	405	780	-
21K01343C0001	2000	3	250	1300	850x250	265	255	405	850	-
21K01343C0002	2000	3	250	1600	850x250	265	260	425	900	-
21K013G3C0001	2600	3	300	1300	900x250	300	265	435	1040	-
21K013G3C0002	2600	3	480	1600	900x250	300	275	465	1095	-
21K013Q3C0001	3000	3	250	1300	1015x300	310	280	460	1120	-
21K013W4C0001	3600	4	480	1800	1050x300	320	285	510	1545	-

ISO (L/min)	2	3	4
Clamping	25	30	35
Tipping	20	20	25

Hydraulic Functions: 2  
Max working pressure: 175 Bar

Accessories page 117

### 364 Roll Clamp with reduced heights



#### FEATURES

- Handling of Rolls with reduced heights (rolls of tape, sticky labels and packaging cartons for Food Industry).
- 90°/180°/360° rotation.

#### SPECIAL EQUIPMENT

- Custom made capacities/openings.
- Custom made Contact Pads.
- Rotating or Fixed Clamp with parallel arms with reduced dimensions for container loading/unloading operations.

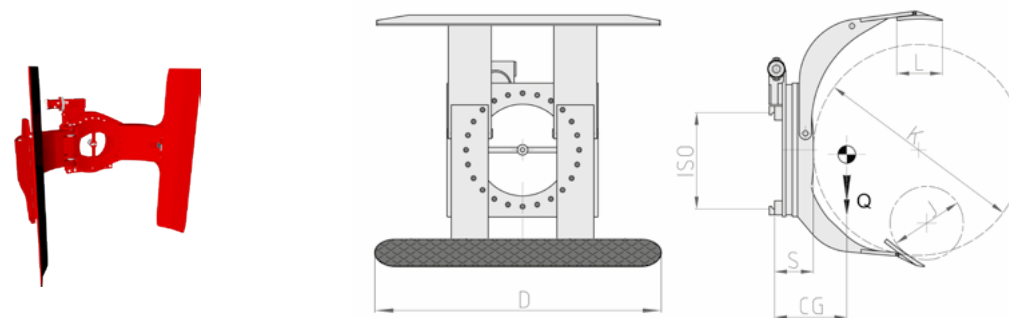
Article	Attachment Capacity	Load Centre of Gravity	ISO	Rotation	Carriage Width	Rolls Diameter	Contact Pads	Thickness	Centre of Gravity	Weight	Price
N°	P (Kg)	CC (mm)	2328	R (n°)	A (mm)	J (mm)	HxL (mm)	S (mm)	CG (mm)	Q (Kg)	€
73AF022	400	625	2	90	800	300	1250	350	236	295	-
73AF023	400	625	2	180	800	300	1250	350	236	300	-
73AF029	500	600	2	360	620	300	1200	310	260	330	-

ISO (L/min)	2
Clamping	25
Rotation	15

Hydraulic Functions: 2  
Max working pressure: 175 Bar

Accessories page 117

### 340 PN Tyres Clamp



#### FEATURES

- Clamping and rotation of more overlapping tyres of the same diameter.
- Short fixed arm or both adjustable arms (depending on the range of gripping diameters).
- 360° or 180° rotation with mechanical block.

#### SPECIAL EQUIPMENT

- Custom made capacities/openings.
- Custom made Contact Pads.
- Rotating or Fixed Clamp with parallel arms with reduced dimensions for container loading/unloading operations.

Article	Attachment Capacity	ISO	Tyres Diameter		Contact Pads	Thickness	Centre of Gravity	Weight	Price
N°	P (Kg)	2328	J (mm)	K (mm)	DxL (mm)	S (mm)	CG (mm)	Q (Kg)	€
21G042Q2C0002	1300	2	400	1300	1800x350	186	255	535	-
21G052Q2C0002	1300	2	250	1300	1800x350	186	235	520	-
21G002Q2C0023	1300	2	400	1300	2050x350	230	235	650	-
21G042Q2C0004	1300	2	400	1600	1800x350	186	305	585	-
21G052Q3C0001	1300	3	500	1600	1800x350	210	255	690	-
21G042Q3C0002	1400	3	500	1800	1800x350	210	260	915	-
21G00343C0005	2000	3	700	2000	1930x300	215	265	945	-

ISO (L/min)	2	3
Clamping	25	30
Rotation	25	25

Hydraulic Functions: 2  
Max working pressure: 175 Bar

Accessories page 117





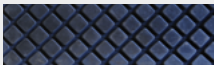

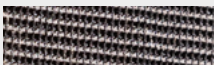
**Accessories on request**

€

Hoses and Fitting Kit (for each hydraulic function)	-
Hoses and quick-release Couplings Kit (for each hydraulic function)	-
Pressure Gauge	-
Quick-release Hooks	-
Solenoid valve two functions with Electric Kit	-
3 positions pressure relief valve	-
Manual Pressure-Relief Panel with Pressure Gauge and Indicator Lamp	-
Electronic Pressure-Relief Panel with Keyboard and Indicator Lamp	-
Automatic Pressure-Relief System	-
	<b>ISO 2</b>
<b>SLS - Semi-Integral Sideshift</b>	-
	<b>ISO 3</b>
	-
	<b>ISO 4</b>
	-
Automatic Greasing System for Semi Integral Sideshift	-
Mechanical block of the rotation	-

**Contact Pads**

€

Contact Plates with corundum coating		-
Milled Contact Plates		-
Contact Plates with standard rubber coating		-
Contact Plates with smooth rubber coating		-
Contact Plates with honeycomb rubber coating		-

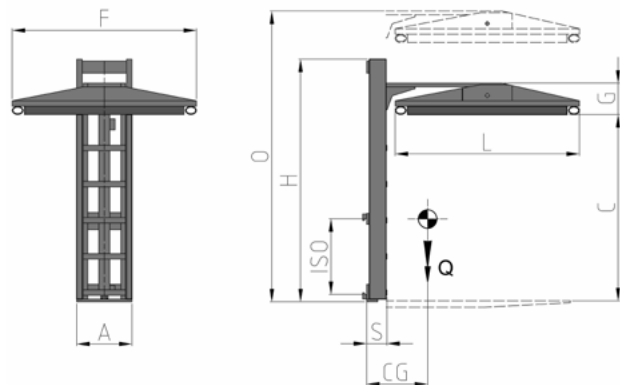
## 09

HYDRAULIC & MECHANICAL  
ATTACHMENTS

<b>951</b> Load Stabilizer	120
<b>490</b> Load Push	121
<b>505</b> Sideshifting Push-Pull with Sheet Retention	122
<b>505i</b> Fork mounted Push-Pull with Sheet Retention	123
<b>600</b> Load Extender	124
<b>965</b> Hydraulic Bucket	125
<b>971</b> Fork mounted Hydraulic Bucket	126
<b>968</b> Fork mounted Mechanical Bucket	127
<b>980</b> Crane Jib	128
<b>975</b> Crane Jib with extending arm	129
<b>976</b> Fork mounted Crane Jib with extending arm	130
<b>940</b> Boom	131

Accessories	133
-------------	-----

### 951 Load Stabilizer



#### FEATURES

- Stabilization of unstable/voluminous/overlapping loads on pallets.
- It can be installed on: the original Fork Carriage of the Forklift/ Sideshifts/Double or Triple Sideshifts/Fork Positioners/Clamps/Rotators.

#### SPECIAL EQUIPMENT

- Custom made openings, also available with double cylinder.
- Custom made Plate dimensions.

Article	ISO	Opening Range		Frame			Plate Dimensions			Thickness	Centre of Gravity	Weight	Price	
		Nº	2328	C Min (mm)	C Max (mm)	A (mm)	H (mm)	O (mm)	F (mm)					L (mm)
29F52A061	2		1000	1900	300	1300	2035	1000	1000	150	120	255	220	-
29F52A053	2		1000	1900	300	1300	2035	1000	1150	150	120	270	225	-
29F52A049*	2		1000	2300	300	1700	2500	1000	1000	150	120	255	245	-
29F52A035*	2		1000	2300	300	1700	2500	1000	1150	150	120	270	250	-
29F52A062	2		1100	2200	300	1500	2485	1000	1000	150	120	255	230	-
29F52A063	2		1100	2200	300	1500	2485	1000	1150	150	120	270	235	-
29F52A064	2		1200	2100	300	1425	2235	1000	1000	150	120	255	225	-
29F52A065	2		1200	2100	300	1425	2235	1000	1150	150	120	270	230	-
29F52A066	2		1200	2200	300	1425	2425	1000	1000	150	120	255	225	-
29F52A067	2		1200	2200	300	1425	2425	1000	1150	150	120	270	230	-
29F52A068	2		1200	2300	300	1430	2430	1000	1000	150	120	255	230	-
29F52A046	2		1200	2300	300	1430	2430	1000	1150	150	120	270	235	-
29F52A069	2		1300	2200	300	1500	2400	1000	1000	150	120	255	235	-
29F52A070	2		1300	2200	300	1500	2400	1000	1150	150	120	270	240	-

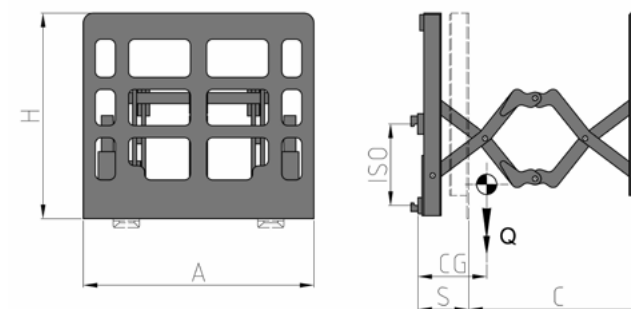
\* Double Cylinder models

	ISO (L/min)	2
	Vertical Clamping	15

Hydraulic Functions: 1  
Max working pressure: 175 Bar

Accessories page 133

### 490 Load Push



#### FEATURES

- Handling of non-palletized goods/positioning of non-palletized goods in double depth.
- The elimination of the pallet reduces the packing costs and the encumbrances in the warehouses, and increases the volume of the transportable goods.

#### SPECIAL EQUIPMENT

- Custom made capacities/strokes.

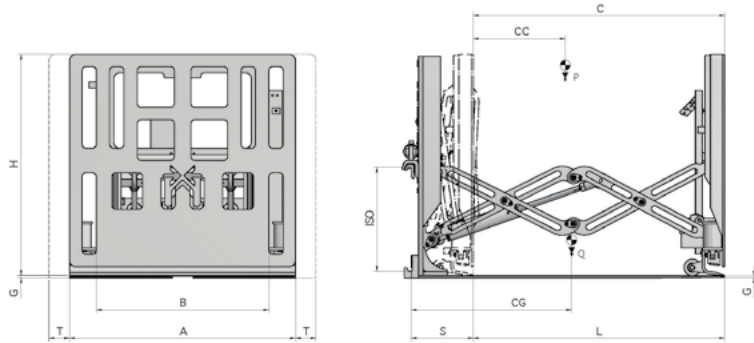
Article	Attachment Capacity	ISO	Width	Height	Stroke	Thickness	Centre of Gravity	Weight	Price
35A2J2A0001	1500	2	1200	1070	820	230	145	325	-
35A2J2A0002	1500	2	1200	1070	1070	230	145	335	-
35A2J2A0003	1500	2	1200	1170	1220	230	145	350	-
35A2U2A0001	2500	2*	1200	1070	820	235	150	350	-
35A2U2A0002	2500	2*	1200	1070	1070	235	150	360	-
35A2U2A0003	2500	2*	1200	1170	1220	235	150	380	-

	ISO (L/min)	2
	Opening/Closing	20/30*

Hydraulic Functions: 1  
Max working pressure: 175 Bar

Accessories page 133

505 Sideshifting Push-Pull with Sheet Retention



FEATURES

- Handling of non-palletized goods.
- Allows to recover sheets of paper, cardboard, or plastic.
- The elimination of the pallet reduces the packing costs and the encumbrances in the warehouses, and increases the volume of the transportable goods.

SPECIAL EQUIPMENT

- Custom made capacities/strokes.
- Models with no Sideshift/Sheet Retention are available.

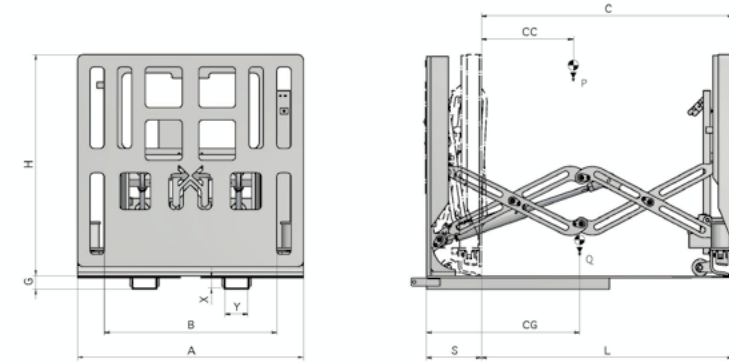
Article	Attachment Capacity	Load Centre of Gravity	ISO	Stroke	Height	Load Platform			Thickness	Centre of Gravity	Weight	Price
Nº	P (Kg)	CC (mm)	2328	C (mm)	H (mm)	A (mm)	L (mm)	G (mm)	S (mm)	CG (mm)	Q (Kg)	€
33B2J2A2001	1000	550	2	1120	1000	1200	1070	20	270	235	620	-
33B2J2A2002	1000	650	2	1270	1100	1200	1220	20	270	245	685	-
33B2U2A2001	1500	550	2	1120	1000	1250	1070	25	275	240	720	-
33B2U3A2002	1500	650	3	1270	1100	1250	1220	25	275	250	790	-
33B343A2001	2000	550	3	1120	1000	1250	1070	30	300	270	830	-
33B343A2002	2000	650	3	1270	1100	1250	1220	30	300	280	920	-

ISO (L/min)	2	3	
↔	Shifting	10	15
↔	Opening/Closing	15	20
+	Clamping	10	15

Hydraulic Functions: 2  
Electrical functions: 1  
Max working pressure: 175 Bar

Accessories page 133

505i Fork mounted Push-Pull with Sheet Retention



FEATURES

- Fork mounted attachment.
- Handling of non-palletized goods.
- Allows to recover sheets of paper, cardboard, or plastic.
- The elimination of the pallet reduces the packing costs and the encumbrances in the warehouses, and increases the volume of the transportable goods.

SPECIAL EQUIPMENT

- Custom made capacities/strokes.
- Models with no Sheet Retention are available.

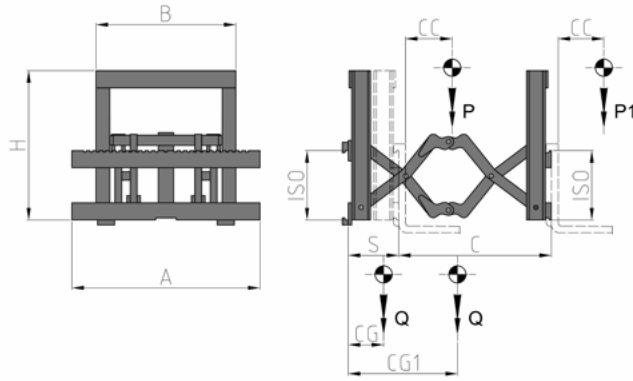
Article	Attachment Capacity	Load Centre of Gravity	Forks Mounting Section	Stroke	Height	Load Platform			Thickness	Centre of Gravity	Weight	Price
Nº	P (Kg)	CC (mm)	YxX (mm)	C (mm)	H (mm)	A (mm)	L (mm)	G (mm)	S (mm)	CG (mm)	Q (Kg)	€
33B2J6D0001	1000	550	117x45	1120	1000	1200	1070	55	270	235	585	-
33B2J6D0002	1000	650	117x45	1270	1100	1200	1220	55	270	245	650	-
33B2U6D0001	1500	550	142x45	1120	1000	1250	1070	55	275	240	690	-
33B2U6D0002	1500	650	142x45	1270	1100	1250	1220	55	275	250	760	-
33B346D0001	2000	550	142x45	1120	1000	1250	1070	70	300	270	790	-
33B346D0002	2000	650	142x45	1270	1100	1250	1220	70	300	280	890	-

ISO (L/min)	1000-1500	2000	
↔	Opening/Closing	15	20
+	Clamping	10	15

Hydraulic Functions: 1  
Electrical functions: 1  
Max working pressure: 175 Bar

Accessories page 133

600 Load Extender



FEATURES

- Positioning of palletized goods in double depth.
- For double row storage or truck loading from one side only.
- Useful in narrow spaces that do not allow large manoeuvres.

SPECIAL EQUIPMENT

- Custom made capacities/strokes.

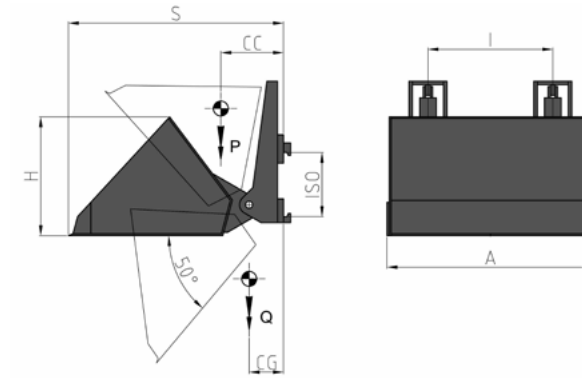
Article	Closed Attachment Capacity	Open Attachment Capacity	Load Centre of Gravity	Back ISO	Front ISO	Stroke	Frame Dimensions	Carriage Width	Thickness	Closed Centre of Gravity	Open Centre of Gravity	Weight	Price
N°	P (Kg)	P1 (Kg)	CC (mm)	2328	2328	C (mm)	BxH (mm)	A (mm)	S (mm)	CG (mm)	CG1 (mm)	Q (Kg)	€
37ABS2C0002	1500	800	500	2	2	950	800x1000	980	320	165	645	580	-
37ABS2C0003	1500	800	500	2	2	1200	800x1000	980	320	165	770	580	-
37ABS2C0004	1500	800	500	2	2	950	800x1000	1100	320	170	650	600	-
37ABS2C0005	1500	800	500	2	2	1200	800x1000	1100	320	170	775	600	-
37AFA7C0001	2500	1300	500	3	2*	950	800x1000	1100	330	170	650	615	-
37AFA7C0002	2500	1300	500	3	2*	1200	800x1000	1100	330	170	780	615	-
37AFA7C0003	2500	1300	500	3	2*	950	800x1000	1300	330	175	670	650	-
37AFA7C0004	2500	1300	500	3	2*	1200	800x1000	1300	330	175	795	650	-
37AJU3C0006	4000	2000	500	3	3	950	800x1000	1300	350	185	675	640	-
37AJU3C0007	4000	2000	500	3	3	1200	800x1000	1300	350	185	800	910	-
37AJU3C0008	4000	2000	500	3	3	950	800x1000	1650	350	200	685	960	-
37AJU3C0009	4000	2000	500	3	3	1200	800x1000	1650	350	200	810	960	-

ISO (L/min)	2	3
Opening/Closing	20/30*	30

Hydraulic Functions: 1  
Max working pressure: 175 Bar

Accessories page 133

965 Hydraulic Bucket



FEATURES

- Materials loading/unloading operations for Building Industry (sand, gravel, concrete, terrain).
- Can also be used in Agriculture.

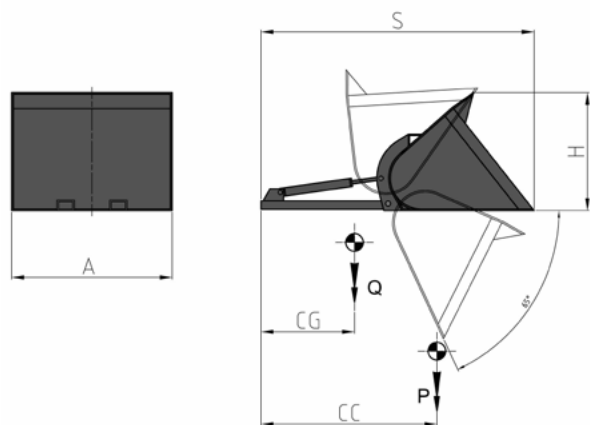
Article	Attachment Capacity	Load Centre of Gravity	ISO	Load Capacity	Bucket Dimensions			Thickness	Centre of Gravity	Weight	Price
N°	P (Kg)	CC (mm)	2328	PC (m³)	A (mm)	H (mm)	I (mm)	S (mm)	CG (mm)	Q (Kg)	€
41A082A006	930	450	2	0.52	1000	704	580	1415	320	320	-
41A0A2A002	1110	450	2	0.62	1200	704	580	1415	340	340	-
41A0D2A001	1310	450	2	0.73	1400	704	580	1415	360	360	-
41A0E2A002	1530	480	2	0.85	1200	925	600	1540	360	480	-
41A0E3A002	1530	480	3	0.85	1200	925	600	1540	360	500	-
41A0J2A004	1760	480	2	0.98	1400	925	600	1540	390	510	-
41A0J3A004	1760	480	3	0.98	1400	925	600	1540	390	510	-
41A0L2A002	2010	480	2	1.12	1600	925	600	1540	410	540	-
41A0L3A002	2010	480	3	1.12	1600	925	600	1540	410	540	-
41A0P3A002	2610	520	3	1.45	1600	1205	800	1960	400	670	-
41A0P4A002	2610	520	4	1.45	1600	1205	800	1960	400	670	-
41A0Q3A001	2920	520	3	1.62	1800	1205	800	1960	430	700	-
41A0Q4A001	2920	520	4	1.62	1800	1205	800	1960	430	700	-
41A0S3A001	3240	520	3	1.80	2000	1205	800	1960	450	730	-
41A0S4A001	3240	520	4	1.80	2000	1205	800	1960	450	730	-

ISO (L/min)	2	3	4
Tipping	15	25	30

Hydraulic Functions: 1  
Max working pressure: 175 Bar

Accessories page 133

### 971 Fork mounted Hydraulic Bucket



#### FEATURES

• Fork mounted attachment. • Materials loading/unloading operations for Building Industry (sand, gravel, concrete, terrain). • Can also be used in Agriculture. • Suitable for occasional/seasonal work.

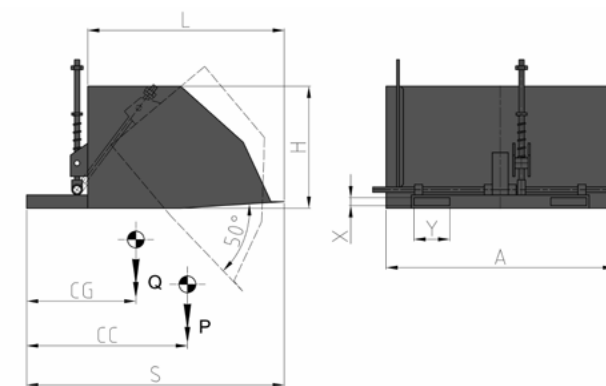
Article	Attachment Capacity	Load Centre of Gravity	Load Capacity	Bucket Dimensions		Thickness	Centre of Gravity	Weight	Price
				Nº	P (Kg)				
41D086D002	930	950	0.52	1000	799	2075	820	280	-
41D0A6D002	1110	950	0.62	1200	799	2075	850	300	-
41D0D6D003	1310	950	0.73	1400	799	2075	880	400	-
41D0E6D001	1530	980	0.85	1200	952	2330	890	430	-
41D0J6D001	1760	980	0.98	1400	952	2330	930	460	-
41D0K6D001	2010	980	1.12	1600	952	2330	960	490	-

	ISO (L/min)	
	Tipping	20

Hydraulic Functions: 1  
Max working pressure: 175 Bar

Accessories page 133

### 968 Fork mounted Mechanical Bucket



#### FEATURES

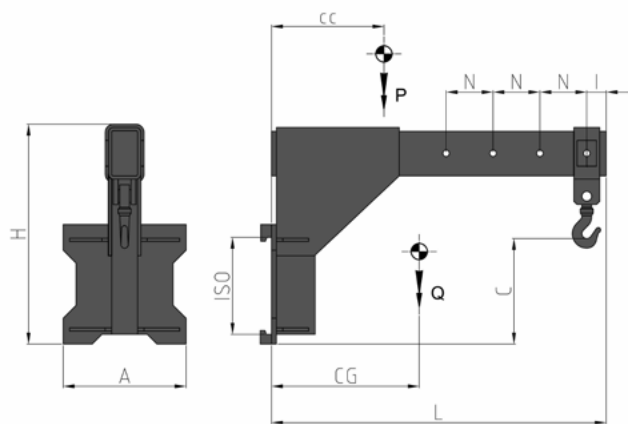
• Fork mounted attachment. • Materials loading/unloading operations for Building Industry (sand, gravel, concrete, terrain). • Can also be used in Agriculture. • Suitable for occasional/seasonal work.

Article	Attachment Capacity	Load Centre of Gravity	Load Capacity	Bucket Dimensions			Forks Mounting Section	Thickness	Centre of Gravity	Weight	Price
				Nº	P (Kg)	CC (mm)					
41C086D001	800	450	0.5	1000	500	1100	175x55	1595	745	206	-
41C0D6D001	1000	550	0.7	1200	500	1300	175x55	1795	849	243	-
41C0J6D001	1500	600	1	1400	600	1400	175x55	1895	931	293	-
41C0L6D001	1800	600	1.2	1600	600	1400	215x55	1895	925	324	-
41C0P6D001	2000	625	1.5	1800	600	1500	215x55	1995	978	350	-
41C0U6D001	2500	725	2	2000	650	1600	215x55	2095	1042	393	-

Accessories page 131



### 980 Crane Jib



#### FEATURES

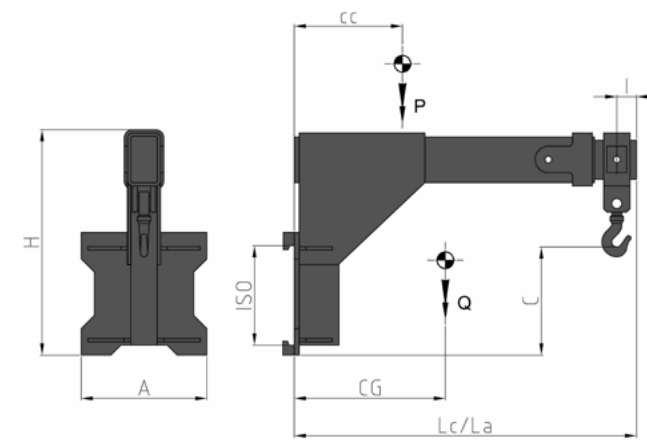
- Handling suspended loads. • Use of Belts or Chains.

Article	Attachment Capacity	Load Centre of Gravity	ISO	Width	Height	Length	Hole Distance	Axis-Centre Distance	Hook Height	Centre of Gravity	Weight	Price
Nº	P (Kg)	CC (mm)	2328	A (mm)	H (mm)	L (mm)	I (mm)	N (mm)	C (mm)	CG (mm)	Q (Kg)	€
45LS2C003	1500	500	2	480	900	1276	76	200	200	340	130	-
45LFA2C009	2500	500	2	480	900	1376	76	200	200	390	160	-
45LHY3C007	3500	500	3	480	1035	1476	76	200	200	410	230	-
45LLL3C001	5000	500	3	480	1035	1476	76	200	200	430	260	-
45LR04C001	8000	600	4	560	1305	1686	86	200	200	490	440	-

#### NOTE

The forklift on which the Crane Jib is mounted must be approved. The Crane Jib supply does not include the documentation required for approval.

### 975 Crane Jib with extending arm



#### FEATURES

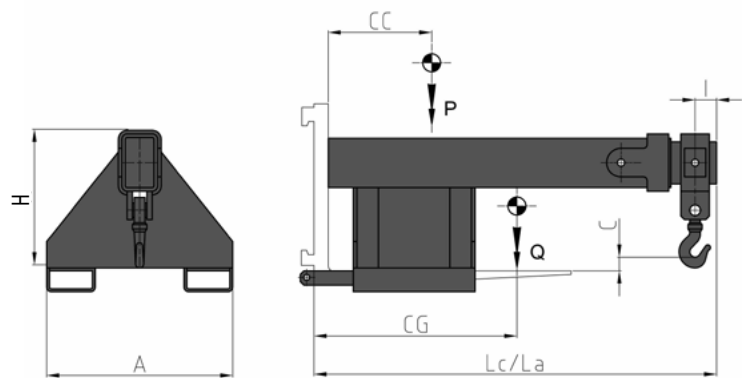
- Handling suspended loads. • Use of Belts or Chains.

Article	Attachment Capacity	Load Centre of Gravity	ISO	Width	Height	Closed Arm Length	Open Arm Length	Hole Distance	Hook Height	Centre of Gravity	Weight	Price
Nº	P (Kg)	CC (mm)	2328	A (mm)	H (mm)	Lc (mm)	La (mm)	I (mm)	C (mm)	CG (mm)	Q (Kg)	€
45JFA2C001	2500	500	2	480	912	1376	1976	76	499	460	180	-
45JHY3C001	3500	500	3	480	1050	1376	1976	76	555	480	260	-
45JLL3C001	5000	500	3	480	1050	1376	1976	76	555	500	300	-
45JR04C001	8000	600	4	560	1345	1486	2086	86	695	510	580	-

#### NOTE

The forklift on which the Crane Jib is mounted must be approved. The Crane Jib supply does not include the documentation required for approval.

### 976 Fork mounted Crane Jib with extending arm



#### FEATURES

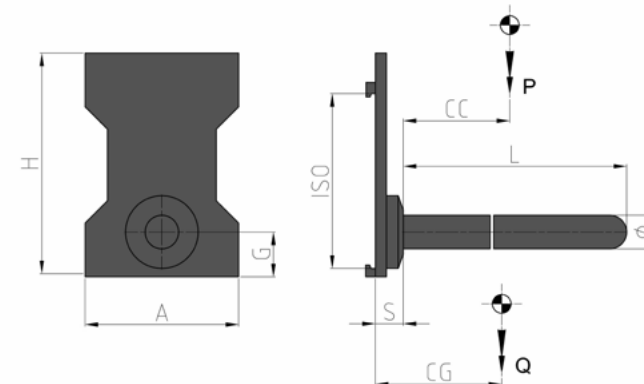
- Fork mounted attachment.
- Handling suspended loads.
- Use of Belts or Chains.

Article	Attachment Capacity	Load Centre of Gravity	Width	Height	Closed Arm Length	Open Arm Length	Hole Distance	Hook Height	Centre of Gravity	Weight	Price
Nº	P (Kg)	CC (mm)	A (mm)	H (mm)	Lc (mm)	La (mm)	I (mm)	C (mm)	CG (mm)	Q (Kg)	€
45MFA6D001	2500	500	620	481	1376	1976	76	15	540	170	-
45MHY6D001	3500	500	720	580	1376	1976	76	20	250	250	-
45MLL6D001	5000	500	720	580	1376	1976	76	20	580	280	-
45MR04C001	8000	600	830	730	1486	2086	86	20	590	530	-

#### NOTE

The forklift on which the Crane Jib is mounted must be approved. The Crane Jib supply does not include the documentation required for approval.

### 940 Boom



#### FEATURES

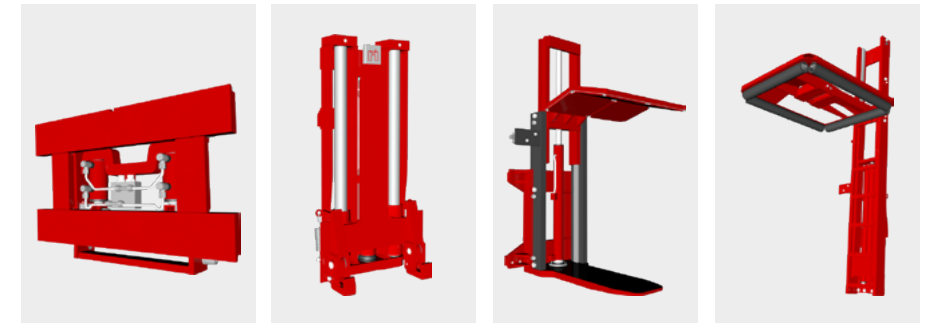
- Grip of tubular loads lying longitudinally to the forklift (paper rolls, carpets, moquette, pipes of plastic, concrete or iron, wire rod rolls).
- It can be easily installed on the original Fork Carriage of the Forklift.

#### SPECIAL EQUIPMENT

- Custom made diameters/lengths.

Article	Attachment Capacity	Load Centre of Gravity	ISO	Diameter	Rear Plate			Boom Length	Thickness	Centre of Gravity	Weight	Price
Nº	P (Kg)	CC (mm)	2328	Ø (mm)	A (mm)	H (mm)	G (mm)	L (mm)	S (mm)	CG (mm)	Q (Kg)	€
47A8L1C001	550	500	1	50	320	430	100	1000	75	163	66	-
47AA01C001	1000	500	1	60	320	430	100	1000	75	207	75	-
47AA02C001	1000	500	2	60	360	500	100	1000	90	155	100	-
47ABS2C001	1500	500	2	70	360	500	100	1000	90	188	108	-
47ABS2C002	1500	500	2	70	360	500	100	1500	90	335	120	-
47ABS2C003	1500	500	2	70	360	500	100	3200	90	971	177	-
47AFA2C001	2500	500	2	80	360	500	100	1200	90	283	125	-
47AFA2C002	2500	500	2	80	360	500	100	3600	90	1256	225	-
47AHY3C001	3500	500	3	100	400	610	180	1200	130	276	215	-
47AKQ3C001	4500	500	3	110	400	610	180	1500	130	411	248	-
47ALM4C001	5000	600	4	120	550	760	200	1500	140	328	395	-
47AP94C001	6500	600	4	140	550	760	200	1800	140	495	490	-
47ASS6C001	13000	600	*	220	*	*	300	1200	220	370	980	-

\* Pin-Type models



**Accessories on request**

€

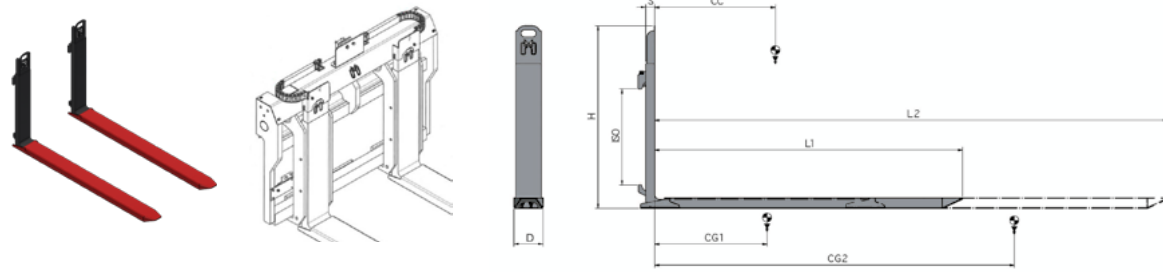
Hoses and Fitting Kit (for each hydraulic function)	-
Hoses and quick-release Couplings Kit (for each hydraulic function)	-
Pressure Gauge	-
Quick-release Hooks	-
Solenoid valve two functions with Electric Kit	-
Pressure relief valve	-
3 positions pressure relief valve	-
<b>SLS - Semi-Integral Sideshift</b>	<b>ISO 2 -</b>
	<b>ISO 3 -</b>
	<b>ISO 4 -</b>
Automatic Greasing System for Semi Integral Sideshift	-



# 10 FORKS

<b>61</b> Telescopic Forks	<b>136</b>
<b>870</b> Lift Drop Fork	<b>137</b>
Forks	<b>138</b>
Forks Extensions	<b>138</b>

## 61 Telescopic Forks



### FEATURES

- Hydraulic attachments.
- Handling of palletized goods in double depth.
- Reduced dimensions to facilitate manoeuvres in confined spaces.
- A single cylinder allows the use of smaller section forks and higher push/pull strength.
- Flow divider to regulate the synchronism between the two forks.
- Flow divider valve.
- Stop-pallet.

### SPECIAL EQUIPMENT

- Custom made Forks.
- Custom made Stop-pallet with/without Load Backrests.

Article	Capacity per Pair	Load Centre of Gravity	ISO	Fork Section		Height	Length		Thickness	Centre of Gravity		Weight per Pair	Price Per Pair
N°	P (Kg)	CC (mm)	2328	D (mm)	G (mm)	H (mm)	L1 (mm)	L2 (mm)	S (mm)	CG1 (mm)	CG2 (mm)	Q (Kg)	€
53UFA2A150	1700	600	2a	128	41	725	1200	2000	35+5	360	498	119	-
53UFA2A143	1700	600	2a	128	41	725	1350	2350	35+5	428	608	128	-
53UFA2A139	2500	600	2a	133	58	725	1000	1650	53	349	481	151	-
53UFA2A133	2500	600	2a	133	58	725	1150	1950	53	402	560	163	-
53UFA2A126	2500	600	2a	133	58	725	1250	2150	53	447	629	174	-
53UFA2A119	2500	600	2a	133	58	725	1350	2350	53	493	699	183	-
53UKQ3A039	4500	600	3a	163	58	850	1150	1950	53	375	511	218	-
53UKQ3A028	4500	600	3a	163	58	850	1250	2150	53	418	575	232	-
53UKQ3A033	4500	600	3a	163	58	850	1350	2350	53	462	641	247	-

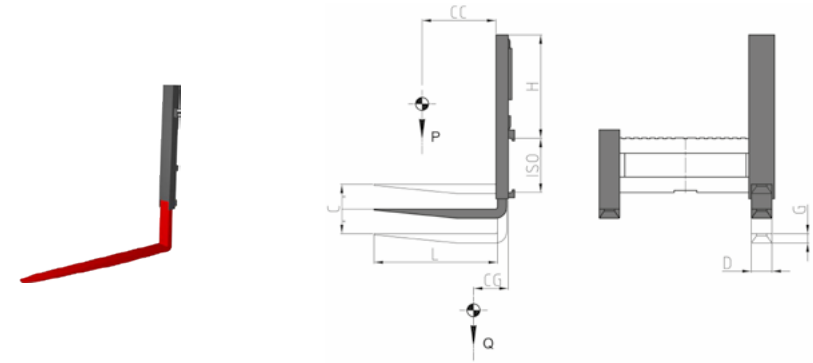
### Accessories on request

	€
Hoses and Fitting Kit	-
Hoses and quick-release Couplings Kit	-
Hydraulic System Kit for mounting on Fork Positioners	-
Hydraulic System Kit with chain for mounting on Fork Positioners	-
Stop-pallet	-

ISO (L/min)	2	3
Opening/Closing	20	20

Hydraulic Functions: 1  
Max working pressure: 175 Bar

## 870 Lift Drop Fork



### FEATURES

- System mounted on standard ISO forks.
- It allows the lifting of the fork for handling loads not aligned/arranged on inclined surfaces.

### SPECIAL EQUIPMENT

- Custom made Forks.

Article	Capacity per Pair	Load Centre of Gravity	ISO	Fork Section			Height	Stroke	Centre of Gravity	Weight	Price
N°	P (Kg)	CC (mm)	2328	D (mm)	G (mm)	L (mm)	H (mm)	C (mm)	CG (mm)	Q (Kg)	€
55ABS2A2001	1500	500	2a	100	35	1000	650	200	180	98	-
55AFA2A2001	2500	500	2a	130	40	1000	650	200	190	129	-
55AHY3A4001	3500	500	3a	130	45	1000	650	300	210	161	-
55AKQ3A4001	4500	500	3a	150	50	1000	650	300	220	184	-
55AP94A6001	6500	600	4a	200	60	1200	750	400	250	305	-

The price includes, in addition to the Lift Drop Fork, a pair of forks with features as shown in the table above.

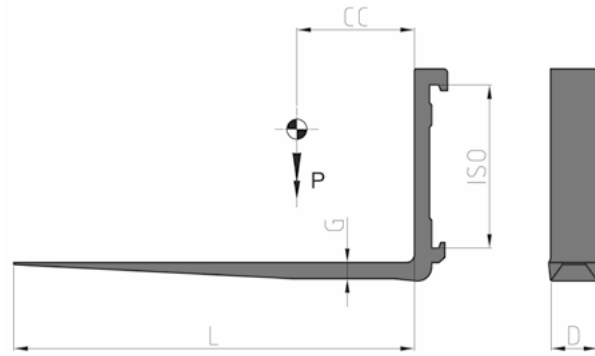
### Accessories on request

	€
Hoses and Fitting Kit	-
Hoses and quick-release Couplings Kit	-

ISO (L/min)	2	3	4
Lift	20	20	20

Hydraulic Functions: 1  
Max working pressure: 175 Bar

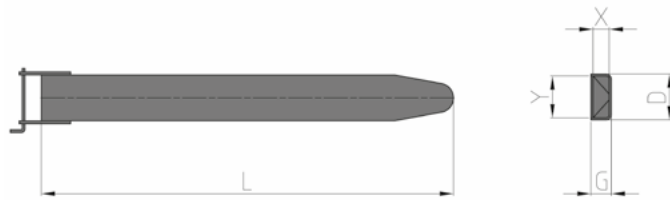
Forks



**NOTE**

Available on all ISO classes (A or B).  
On request we offer Pin Type or special forks in any section or length, suitable for any type of Forklift.

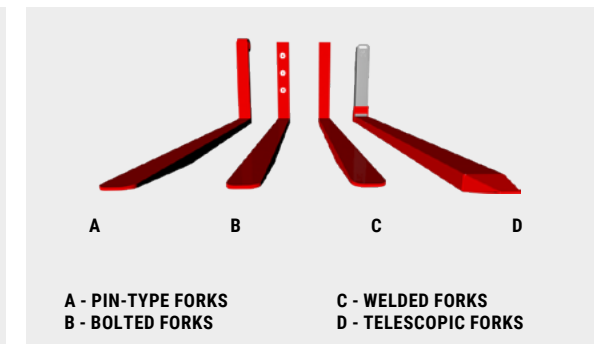
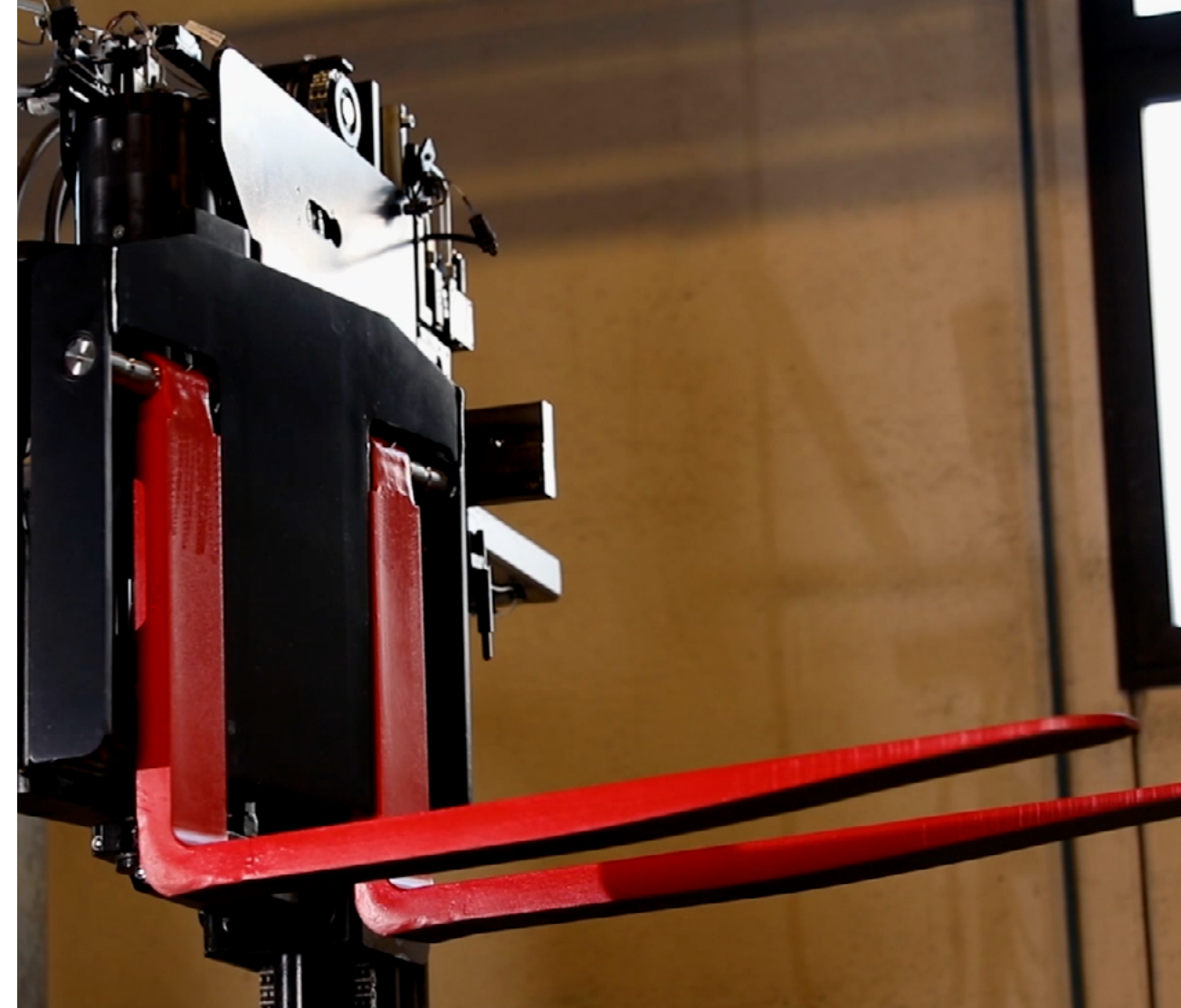
Forks Extensions




**NOTE**

For all ISO classes and available in any section and length (forks length must be at least 60% of the extensions length). Suitable for any type of Forklift.

Net price list available on request.





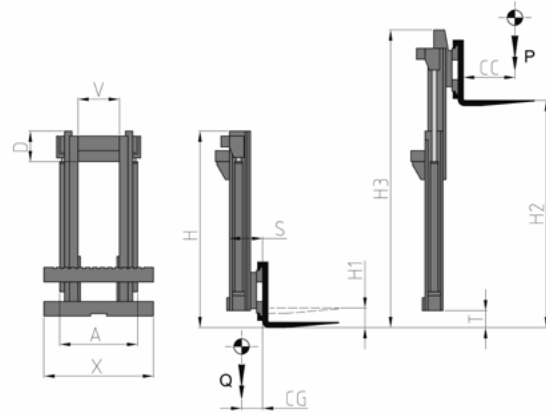
# MASTS & HYDRAULIC KITS

<b>828</b> Simplex Mast without free lift	142
<b>810.838</b> Duplex Mast full free lift	142
<b>808.809</b> Triplex Mast full free lift	143
<b>848</b> Quadruplex Mast full free lift	143
Hose Reel Kit	144
4 Core Electric Cable Reel	144

**828** Simplex Mast without free lift

**FEATURES**

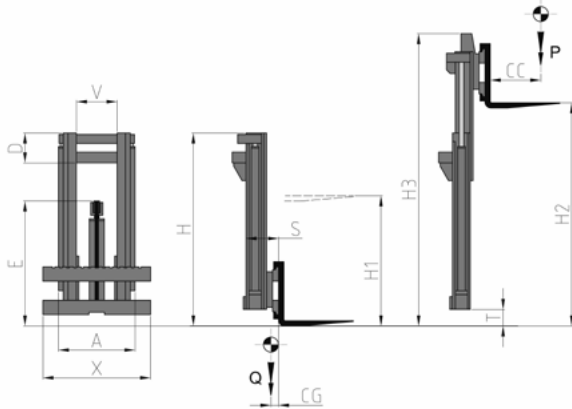
- Range from 1t to 52t. • For small capacity forklifts, laser guided shuttles, naval applications. • For high-capacity forklifts handling full or empty containers, to be stacked up to the eighth row.



**810.838** Duplex Mast full free lift

**FEATURES**

- Range from 1t to 52t. • For small capacity forklifts, laser guided shuttles, naval applications. • For high-capacity forklifts handling full or empty containers, to be stacked up to the eighth row. • Full free lift of the forklift carriage. • To work in spaces of reduced height and with the need to overlap more pallets.



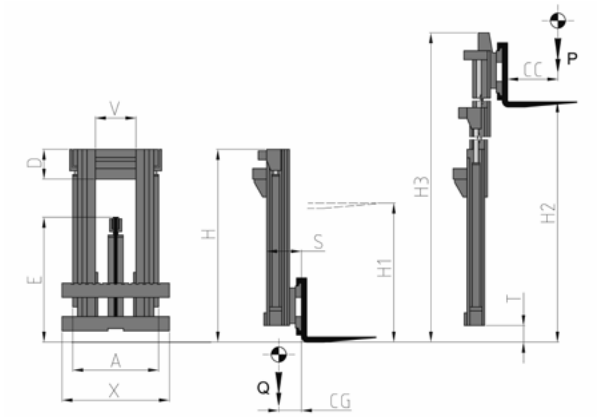
**NOTE**

Hydraulic/Electric Systems, Sideshifts, Fork Positioners, and specific handling attachments can be supplied for each type of Mast.

**808.809** Triplex Mast full free lift

**FEATURES**

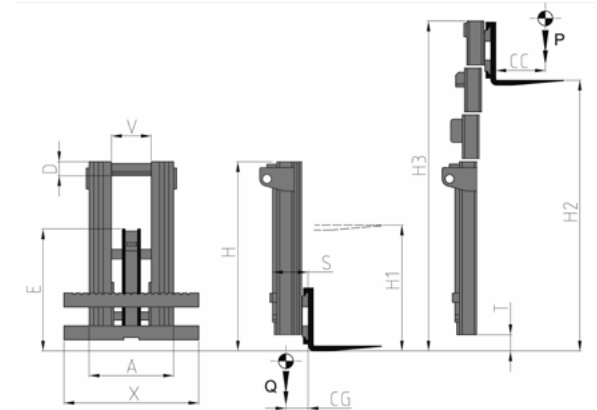
- Range from 1t to 52t. • For all types of counterbalanced forklifts/AGV/fixed workstations. • It allows large lift ups with reduced height and full free lift-up of the forklift carriage.



**848** Quadruplex Mast full free lift

**FEATURES**

- For all types of counterbalanced forklifts/AGV/fixed workstations. • It allows large lift-ups with reduced height and full free lift-up of the forklift carriage (with a greater reduction in space when the mast is closed and increased elevations compared to the Triplex).

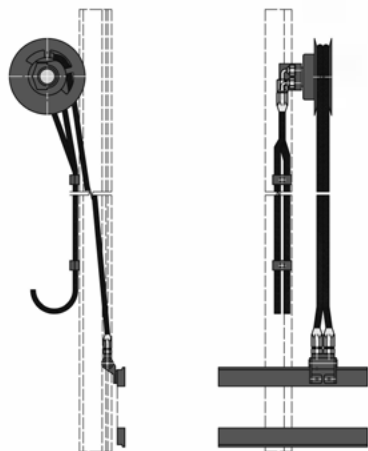


**NOTE**

Hydraulic/Electric Systems, Sideshifts, Fork Positioners, and specific handling attachments can be supplied for each type of Mast.



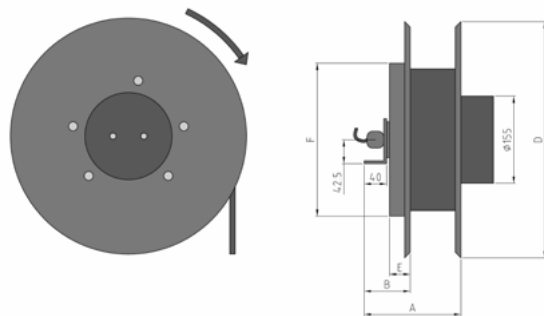
### Hose Reel Kit



#### FEATURES

- System installed on Mast. • It brings the hydraulic functions from the forklift distributor to the forklift carriage.

### 4 Core Electric Cable Reel



#### FEATURES

- System installed on Mast. • It brings the electrical functions from the forklift control unit to the forklift carriage.

N°	ØC (mm)	L (m)	A (mm)	B (mm)	D (mm)	E (mm)	F (mm)	€
D0010113	9.3	5	161	82	235	30	228	-
D0010109	9.3	10	161	82	295	37	272	-
D0010114	9.3	15	161	82	370	37	322	-

#### NOTE

Custom made Hose Reel and Electric Cable Reel are also available upon request.

### Hose Reel Kit

Article	Hose	Hose Diameter	Carriage Fitting	Cable Reel Diameter	Hose Length	Position	Price
N°	T	ØT	G	ØA (mm)	L (mm)	Z	€
67NP2A01	SAE 100 R7	1/4"	SWIVEL	270	4000	RIGHT	-
67NP3A01	SAE 100 R7	5/16"	SWIVEL	270	3200	RIGHT	-
67RP2A01	SAE 100 R7	1/4"	TURN DOWN, CLAMP	270	4000	RIGHT	-
67RP3A01	SAE 100 R7	5/16"	TURN DOWN, CLAMP	270	3200	RIGHT	-
67NP2J01	SAE 100 R7	1/4"	SWIVEL	270	4000	LEFT	-
67NP3J01	SAE 100 R7	5/16"	SWIVEL	270	3200	LEFT	-
67RP2J01	SAE 100 R7	1/4"	TURN DOWN, CLAMP	270	4000	LEFT	-
67RP3J01	SAE 100 R7	5/16"	TURN DOWN, CLAMP	270	3200	LEFT	-
67NP2A02	SAE 100 R7	1/4"	SWIVEL	295	4700	RIGHT	-
67NP3A02	SAE 100 R7	5/16"	SWIVEL	295	4200	RIGHT	-
67NP4A01	SAE 100 R7	3/8"	SWIVEL	295	3600	RIGHT	-
67RP2A02	SAE 100 R7	1/4"	TURN DOWN, CLAMP	295	4700	RIGHT	-
67RP3A02	SAE 100 R7	5/16"	TURN DOWN, CLAMP	295	4200	RIGHT	-
67NP2J02	SAE 100 R7	1/4"	SWIVEL	295	4700	LEFT	-
67NP3J02	SAE 100 R7	5/16"	SWIVEL	295	4200	LEFT	-
67NP4J01	SAE 100 R7	3/8"	SWIVEL	295	3600	LEFT	-
67RP2J02	SAE 100 R7	1/4"	TURN DOWN, CLAMP	295	4700	LEFT	-
67RP3J02	SAE 100 R7	5/16"	TURN DOWN, CLAMP	295	4200	LEFT	-
67NP2A05	SAE 100 R7	1/4"	SWIVEL	320	5500	RIGHT	-
67NP3A05	SAE 100 R7	5/16"	SWIVEL	320	5000	RIGHT	-
67NP4A03	SAE 100 R7	3/8"	SWIVEL	320	4500	RIGHT	-
67RP2A05	SAE 100 R7	1/4"	TURN DOWN, CLAMP	320	5500	RIGHT	-
67RP3A05	SAE 100 R7	5/16"	TURN DOWN, CLAMP	320	5000	RIGHT	-
67NP2J05	SAE 100 R7	1/4"	SWIVEL	320	5500	LEFT	-
67NP3J05	SAE 100 R7	5/16"	SWIVEL	320	5000	LEFT	-
67NP4J03	SAE 100 R7	3/8"	SWIVEL	320	4500	LEFT	-
67RP2J05	SAE 100 R7	1/4"	TURN DOWN, CLAMP	320	5500	LEFT	-
67RP3J05	SAE 100 R7	5/16"	TURN DOWN, CLAMP	320	5000	LEFT	-
67NP2A04	SAE 100 R7	1/4"	SWIVEL	370	7000	RIGHT	-
67NP3A04	SAE 100 R7	5/16"	SWIVEL	370	6500	RIGHT	-
67NP4A02	SAE 100 R7	3/8"	SWIVEL	370	5500	RIGHT	-
67RP2A04	SAE 100 R7	1/4"	TURN DOWN, CLAMP	370	7000	RIGHT	-
67RP3A04	SAE 100 R7	5/16"	TURN DOWN, CLAMP	370	6500	RIGHT	-
67NP2J04	SAE 100 R7	1/4"	SWIVEL	370	7000	LEFT	-
67NP3J04	SAE 100 R7	5/16"	SWIVEL	370	6500	LEFT	-
67NP4J02	SAE 100 R7	3/8"	SWIVEL	370	5500	LEFT	-
67RP2J04	SAE 100 R7	1/4"	TURN DOWN, CLAMP	370	7000	LEFT	-
67RP3J04	SAE 100 R7	5/16"	TURN DOWN, CLAMP	370	6500	LEFT	-

# 12

## SPECIAL OR CUSTOMISED PRODUCTS

Integrated Fork Positioner with Articulated Arm for Telehandlers

IMG. 1

Rotating Ladle Emptying

IMG. 2

Tires Clamp with 90° Tipping Forward Arms

IMG. 3

Wide opening Fork Positioner for for side/multi-directional Forklifts

IMG. 4

Trilateral Attachment with Pantograph

IMG. 5

Wide Opening Fork Positioner with 4 Forks

IMG. 6

Triplex Mast with Double Fork Positioner for AGV Machines

IMG. 7

Duplex Mast with Coils Clamp for AGV Machines

IMG. 8

Rotating Clamp with Special Forks

IMG. 9

Wire Rod Reel Clamp

IMG. 10

Clamp with 90° Rotating Forks and Slip-on Smooths Arms

IMG. 11



IMG. 1



IMG. 4



IMG. 2



IMG. 3



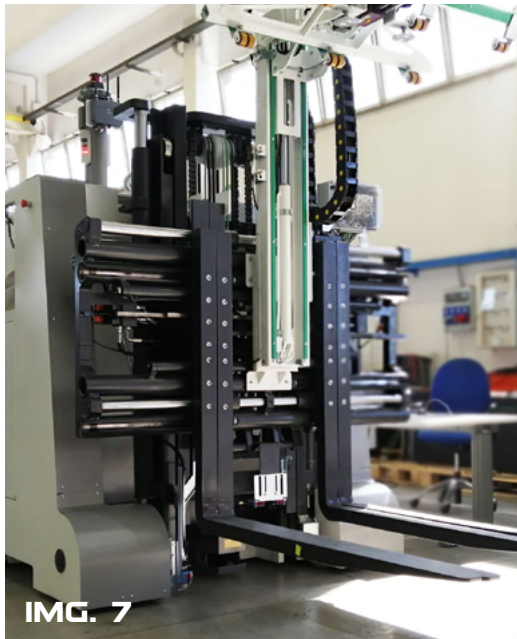
IMG. 5



IMG. 6



IMG. 9



IMG. 7



IMG. 8



IMG. 10



IMG. 11



**IB**  
**RENTAL**  
**ATTACHMENTS**

## Advantages & Benefits

### PEAK PERFORMANCE

Every attachment available for hire is exclusively produced, tested and overhauled by **ATIB Material Handling**.

### FLEXIBILITY

Rental availability in short, medium or long term, from 1 month, up to 1 year and over.

### PRICE

Our rental rates differ according to the type of attachment and the rental period, and include the standard preventive maintenance for failures and unforeseen issues..



## Guaranteed Maintenance, Repairing & Inspection

Overhaul, maintenance, repairing and inspection will be carried out on all ATIB Material Handling Attachments at the end of each rental.



A.T.I.B. S.r.l.

Via Quinzanese snc, 25020 Dello (BS) - ITALY

+39 030 977 17 11

[info@atib.com](mailto:info@atib.com)

[atib.com](http://atib.com)

MADE IN ITALY



seguici su



A.T.I.B. FRANCE S.A.R.L.

Z.A. La Cray - Rue de la Cray 15, 25420 Voujeaucourt - FRANCE

+33 381 90 51 61 - [info@atibfrance.com](mailto:info@atibfrance.com) - [atibfrance.com](http://atibfrance.com)



A.T.I.B. POLSKA SP z.o.o.

Ul. Pniewska 33, 60-446 Poznań - POLAND

+48 517 088 885 - [rafal.bachanek@atib.com](mailto:rafal.bachanek@atib.com)