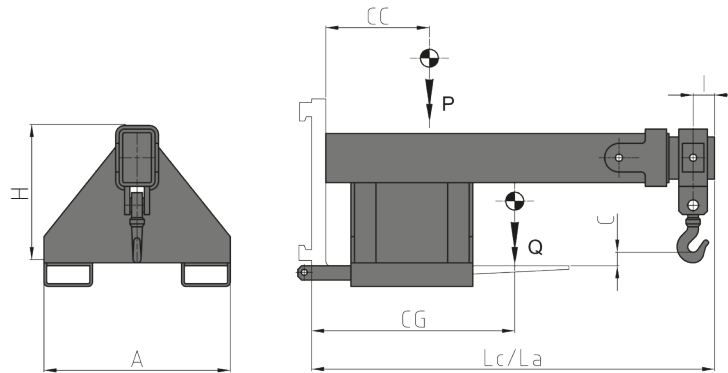


**976 Fork mounted Crane Jib with extending arm**



**Features:**

- Fork mounted attachment.
- Handling suspended loads.
- Use of Belts or Chains.

Article	Attachment Capacity	Load Centre of Gravity	Width	Height	Closed Arm Length	Open Arm Length	Hole Distance	Hook Height	Centre of Gravity	Weight
N°	P (kg)	CC (mm)	A (mm)	H (mm)	Lc (mm)	La (mm)	I (mm)	C (mm)	CG (mm)	Q (kg)
45MFA6D001	2500	500	620	481	1376	1976	76	15	540	170
45MHY6D001	3500	500	720	580	1376	1976	76	20	250	250
45MLL6D001	5000	500	720	580	1376	1976	76	20	580	280
45MR04C001	8000	600	830	730	1486	2086	86	20	590	530

**NOTE**

The forklift on which the Crane Jib is mounted on must be approved. The supply of the Crane Jib does not include the documentation required for the approval.

Please refer to our catalogue for further Special Equipment