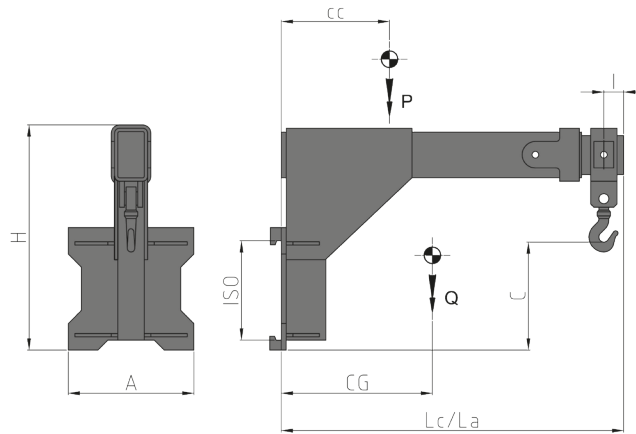


975 Crane Jib with extending arm



Features:

- Handling suspended loads.
- Use of Belts or Chains.

Article	Attachment Capacity	Load Centre of Gravity	ISO	Width	Height	Closed Arm Length	Open Arm Length	Hole Distance	Hook Height	Centre of Gravity	Weight
N°	P (kg)	CC (mm)	2328	A (mm)	H (mm)	Lc (mm)	La (mm)	I (mm)	C (mm)	CG (mm)	Q (kg)
45JFA2C001	2500	500	2	480	912	1376	1976	76	499	460	180
45JHY3C001	3500	500	3	480	1050	1376	1976	76	555	480	260
45JLL3C001	5000	500	3	480	1050	1376	1976	76	555	500	300
45JR04C001	8000	600	4	560	1345	1486	2086	86	695	510	580

NOTE

The forklift on which the Crane Jib is mounted on must be approved. The supply of the Crane Jib does not include the documentation required for the approval.

Please refer to our catalogue for further Special Equipment