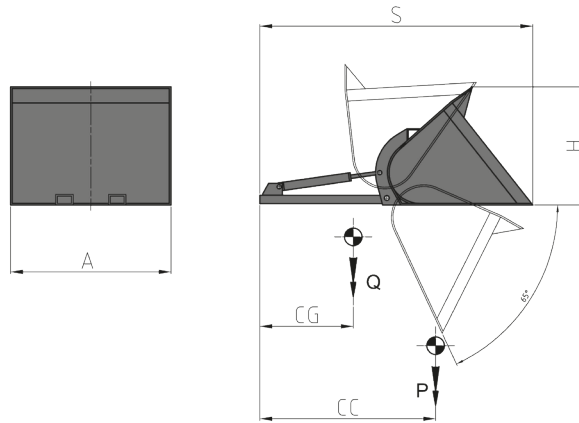


971 Fork mounted Hydraulic Bucket



Hydraulic functions: 1 | Max working pressure: 175 Bar

Features:

- Fork mounted attachment.
- Materials loading/unloading operations for Building Industry (sand, gravel, concrete, terrain).
- Can also be used in Agriculture.
- Suitable for occasional/seasonal work.

| Article | Attachment Capacity | Load Centre of Gravity | Load Capacity | Bucket Dimensions | | Thickness | Centre of Gravity | Weight |
|------------|---------------------|------------------------|----------------------|-------------------|--------|-----------|-------------------|--------|
| N° | P (kg) | CC (mm) | PC (m ²) | A (mm) | H (mm) | S (mm) | CG (mm) | Q (kg) |
| 41D086D002 | 930 | 950 | 0.52 | 1000 | 799 | 2075 | 820 | 280 |
| 41D0A6D002 | 1110 | 950 | 0.62 | 1200 | 799 | 2075 | 850 | 300 |
| 41D0D6D003 | 1310 | 950 | 0.73 | 1400 | 799 | 2075 | 880 | 400 |
| 41D0E6D001 | 1530 | 980 | 0.85 | 1200 | 952 | 2330 | 890 | 430 |
| 41D0J6D001 | 1760 | 980 | 0.98 | 1400 | 952 | 2330 | 930 | 460 |
| 41D0K6D001 | 2010 | 980 | 1.12 | 1600 | 952 | 2330 | 960 | 490 |

| Oil flow rate |
|---------------|
| (L/min) |
| 20 |

 Tipping

Please refer to our catalogue for further Special Equipment