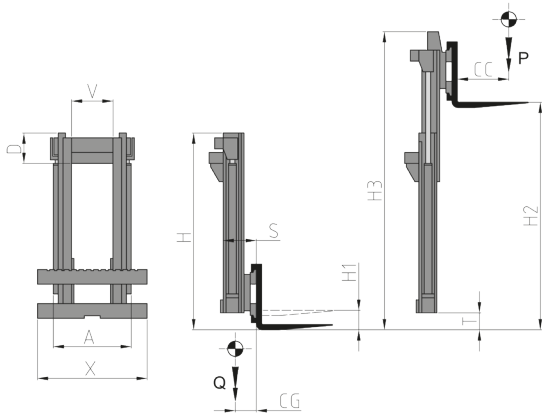


## 828 Simplex Mast without free lift

### Features:

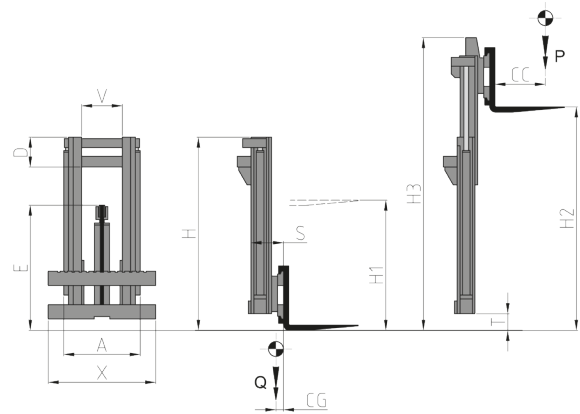
- Range from 1t to 52t. • For small capacity forklifts, laser guided shuttles, naval applications. • For high-capacity forklifts handling full or empty containers, to be stacked up to the eighth row.



## 810.838 Duplex Mast full free lift

### Features:

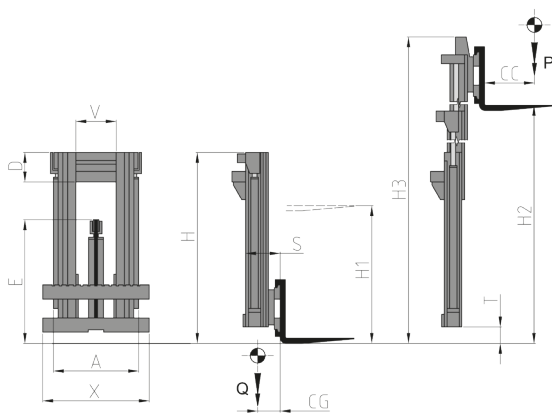
- Range from 1t to 52t. • For small capacity forklifts, laser guided shuttles, naval applications. • For high-capacity forklifts handling full or empty containers, to be stacked up to the eighth row. • Full free lift of the forklift carriage. • To work in spaces of reduced height and with the need to overlap more pallets.



## 808.809 Triplex Mast full free lift

### Features:

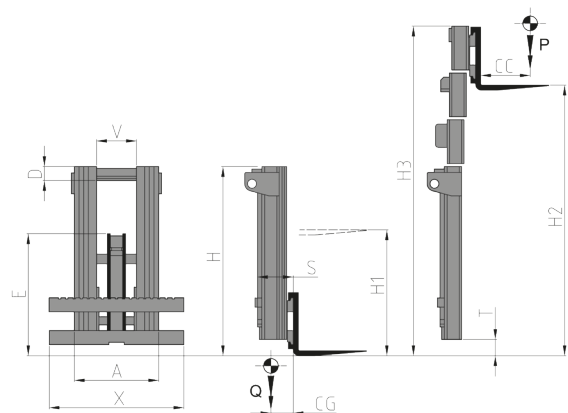
- Range from 1t to 52t. • For all types of counterbalanced forklifts/AGV/ fixed workstations. • It allows large liftups with reduced height and full free lift-up of the forklift carriage.



## 848 Quadruplex Mast full free lift

### Features:

- For all types of counterbalanced forklifts/AGV/ fixed workstations. • It allows large lift-ups with reduced height and full free lift-up of the forklift carriage (with a greater reduction in space when the mast is closed and increased elevations compared to the Triplex).



### NOTE

Hydraulic/Electric Systems, Sideshifts, Fork Positioners, and specific handling attachments can be supplied for each type of Mast.