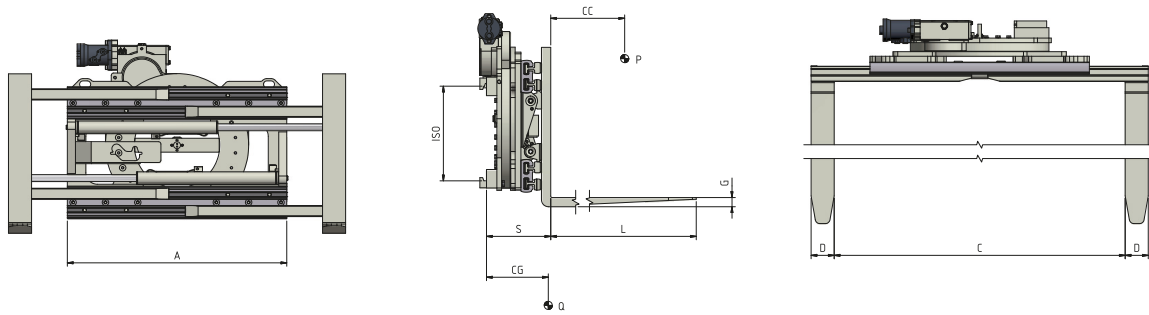


30I.474.I70 360° Rotating Fork Clamp



Hydraulic functions: 2 | Max working pressure: 175 Bar

Features:

- Handling goods on pallets or by clamping and rotation of the load. • Adjustable clamping force with hydraulic valve. • Pressure Relief Valve. • Non-return Valve. • Regenerative Valve

Special Equipment:

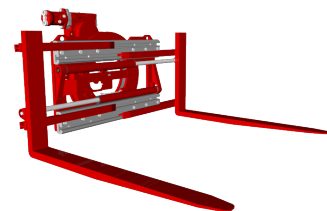
- Custom made widths/openings. • Custom made Forks. • Load Backrest. • Flat slip-on arms/Slip-on arms for drums/Slip-on arms with 90° or 180° hydraulic rotation. • Sideshifting Valve or Semi-Integral Sideshift.

Article	Clamping Capacity	Capacity On Forks	Load Centre of Gravity	ISO	Frame Width	Opening Range Between Forks		Forks	Thickness	Centre of Gravity	Weight
N°	PS (kg)	PF (kg)	CC (mm)	2328	A (mm)	C Min (mm)	C Max (mm)	DxGxL (mm)	S (mm)	CG (mm)	Q (kg)
11M03AQ2A0006*	1200	1400	500	2a	850	340	1380	100x40x1200	279	159	388
11M03AQ2A0008	1200	1400	500	2a	950	440	1680	100x40x1200	279	161	397
11M03AQ2A0010	1200	1400	500	2a	1050	540	1980	100x40x1200	279	162	406
11M03BE2A0006*	1400	1900	500	2a	950	360	1510	100x40x1200	317	178	540
11M03BE2A0012	1400	1900	500	2a	1050	460	1810	100x40x1200	317	179	560
11M03BE2A0013	1400	1900	500	2a	1150	560	2110	100x40x1200	317	181	580
11M03BE2A0014	1400	1900	500	2a	1250	460	2010	100x40x1200	317	182	602
11M03CG2A0001*	1700	2100	500	2a	950	360	1510	100x40x1200	317	178	545
11M03CG2A0008	1700	2100	500	2a	1050	460	1810	100x40x1200	317	179	570
11M03D62A0015*	1900	2400	500	2a	1050	330	1580	120x45x1200	317	202	590
11M03D62A0020	1900	2400	500	2a	1150	430	1880	120x45x1200	317	204	632
11M03D62A0021	1900	2400	500	2a	1250	530	2180	120x45x1200	317	206	667
11M03D62A0022	1900	2400	500	2a	1350	630	2480	120x45x1200	317	207	691
11M03EY3A0020*	2400	2900	500	3a	1050	330	1580	120x45x1200	317	207	660
11M03EY3A0040	2400	2900	500	3a	1150	430	1880	120x45x1200	317	209	680
11M03G03A0025	2700	3600	500	3a	1100	470	1840	120x50x1200	350	217	840
11M03G03A0015*	2700	3600	500	3a	1200	320	1640	120x50x1200	350	219	870
11M03G03A0023	2700	3600	500	3a	1300	470	2040	120x50x1200	350	222	900
11M03G03A0026	2700	3600	500	3a	1400	570	2340	120x50x1200	350	224	930
11M03HY3A0009	3500	4500	500	3a	1200	350	1760	150x50x1200	360	233	799
11M03HY3A0022	3500	4500	500	3a	1300	450	2060	150x50x1200	360	236	970
11M03HY3A0023	3500	4500	500	3a	1400	550	2360	150x50x1200	360	239	1010
11M03KQ3A0001*	4500	5000	500	3a	1400	260	1790	150x60x1200	385	226	1235
11M03KQ3A0002*	4500	5000	500	3a	1600	260	1990	150x60x1200	385	228	1250
11M03KQ4A0002*	3800	4500	600	4a	1500	260	1890	150x60x1200	385	228	1270
11M03KQ4A0003*	3800	4500	600	4a	1600	260	1990	150x60x1200	385	230	1285
11M03LM4A0001*	5000	6000	600	4a	1500	260	1890	150x65x1200	390	233	1310
11M03LM4A0002*	5000	6000	600	4a	1700	260	2090	150x65x1200	390	263	1325
11M03ND4A0001*	6000	7000	600	4a	1500	260	1890	150x70x1200	440	257	1545
11M03ND4A0002*	6000	7000	600	4a	1700	260	2090	150x70x1200	440	260	1565
11M03Q54A0001*	7000	8000	600	4a	1750	160	2040	200x70x1200	455	282	1700
11M03Q54A0002*	7000	8000	600	4a	2000	160	2290	200x70x1200	455	296	1730

* Europallet handling models

Oil flow rate		
ISO	(L/min)	
	→ ←	↻
2	25	20
3	25	25
4	30	30

→||← Clamping
↻ Rotation



Please refer to our catalogue for further Special Equipment