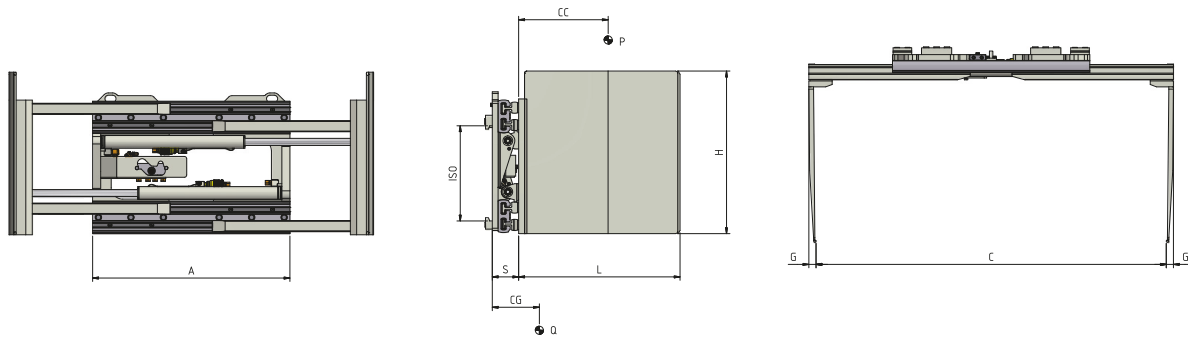


474.181 Box and Appliances Clamp with fixed arms



HYDRAULIC FUNCTIONS: 1 | MAX WORKING PRESSURE: 175 Bar

Features:

- Handling of Household Appliances and Cartons, arranged in double depth, on more rows/levels.
- Fixed rubber covered Arms.
- Adjustable clamping force with hydraulic valve.
- Pressure Relief Valve.
- Non-return Valve.
- Regenerative Valve.
- Load backrest for clamps with arms exceeding 1000 mm in height.

Special Equipment:

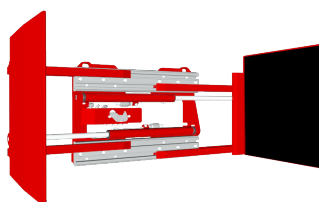
- Custom made widths/openings.
- Custom made Arms.
- Load Backrest.
- Sideshifting Valve or Semi-Integral Sideshift.

ART. N°	P (Kg)	CC (mm)	ISO 2328	A (mm)	C		GxHxL (mm)	S (mm)	CG (mm)	Q (Kg)
					Min (mm)	Max (mm)				
11L14AQ2A0001	1200	500	II	950	580	1820	30x600x650	134	188	320
11L14AQ2A0002	1200	500	II	950	580	1820	30x700x650	134	201	335
11L14AQ2A0003	1200	500	II	950	580	1820	30x600x750	134	220	335
11L14AQ2A0004	1200	500	II	950	580	1820	30x700x750	134	234	350
11L14AQ2A0005	1200	500	II	950	580	1820	30x600x850	134	253	355
11L14AQ2A0006	1200	500	II	950	580	1820	30x700x850	134	268	370
11L14BE2A0001	1400	500	II	1050	590	1940	30x600x650	162	188	455
11L14BE2A0002	1400	500	II	1050	590	1940	30x700x650	162	201	477
11L14BE2A0003	1400	500	II	1050	590	1940	30x600x750	162	218	470
11L14BE2A0004	1400	500	II	1050	590	1940	30x700x750	162	232	494
11L14BE2A0005	1400	500	II	1050	590	1940	30x600x850	162	250	498
11L14BE2A0006	1400	500	II	1050	590	1940	30x700x850	162	266	516

OIL FLOW RATE

ISO	(L/min)	
	→ ←	
II	20	

→||← Clamping



P ATTACHMENT CAPACITY
CC LOAD CENTRE OF GRAVITY
A FRAME WIDTH
C OPENING RANGE
GxHxL BLADES
S THICKNESS
CG CENTRE OF GRAVITY
Q WEIGHT

Please refer to our catalogue for further Special Equipment