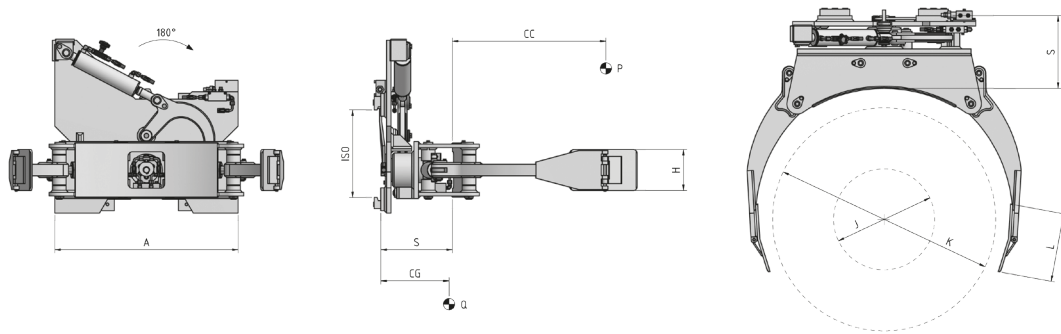


### 364 Roll Clamp with reduced heights



HYDRAULIC FUNCTIONS: 2 | MAX WORKING PRESSURE: 175 Bar

**Features:**

- Handling of Rolls with reduced heights (rolls of tape, sticky labels and packaging cartons for Food Industry).
- 90°/180°/360° rotation.

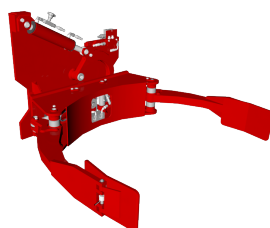
**Special Equipment:**

- Custom made capacities/openings.
- Custom made Contact Pads.
- Rotating or Fixed Clamp with parallel arms with reduced dimensions for container loading/unloading operations.

ART. N°	P (Kg)	CC (mm)	ISO 2328	R (n°)	A (mm)	J (mm)	K (mm)	HxL (mm)	S (mm)	CG (mm)	Q (Kg)
73AF022	400	625	II	90	800	300	1250	160x200	350	236	295
73AF023	400	625	II	180	800	300	1250	180x300	350	236	300
73AF029	500	600	II	360	620	300	1200	180x300	310	260	330

**OIL FLOW RATE**

ISO	(L/min)		
	→  ←	↻	
II	25	15	→  ← Clamping ↻ Rotation



- P ATTACHMENT CAPACITY
- CC LOAD CENTRE OF GRAVITY
- R ROTATION
- A CARRIAGE WIDTH
- J/K ROLLS DIAMETER
- HxL CONTACT PADS
- S THICKNESS
- CG CENTRE OF GRAVITY
- Q WEIGHT

Please refer to our catalogue for further Special Equipment