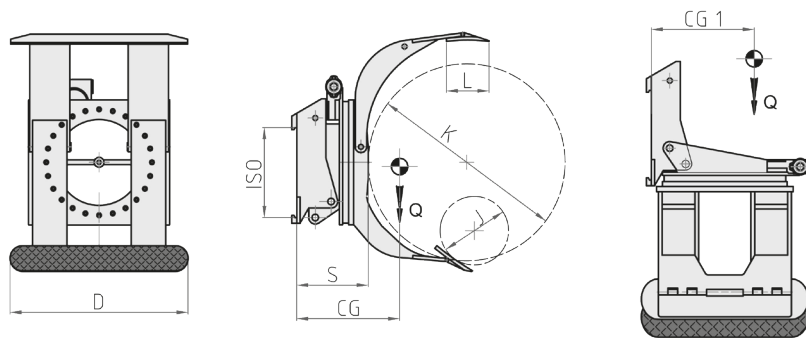


### 342 SF 360° Rotating Roll Clamp with 90° forward tipping and short fixed arm



HYDRAULIC FUNCTIONS: 3 | MAX WORKING PRESSURE: 175 Bar

#### Features:

- Clamping and rotation of one or more overlapping rolls of the same diameter.
- Short fixed arm and long entire arm.
- 360° or 180° rotation with mechanical block.
- 90° frontal tipping to take rolls lying perpendicularly to the Forklift.

#### Special Equipment:

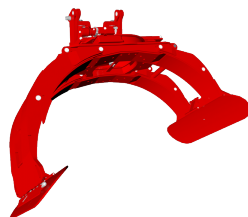
- Custom made capacities/openings.
- Custom made Contact Pads.
- Rotating or Fixed Clamp with parallel arms with reduced dimensions for container loading/unloading operations.

ART. N°	P (Kg)	ISO 2328	J (mm)	K (mm)	DxL (mm)	S (mm)	CG (mm)	CG1 (mm)	Q (Kg)
21J002G2C0001	900	II	350	1100	700x200	295	265	390	640
21J002G2C0002	900	II	350	1400	700x200	295	270	410	690
21J002Q2C0001	1300	II	400	1150	750x250	295	285	430	705
21J002Q2C0002	1300	II	400	1300	750x250	295	290	440	740
21J00342C0001	2000	II	400	1300	850x250	310	300	470	820
21J00343C0001	2000	III	400	1300	850x250	335	300	470	1020
21J00343C0002	2000	III	400	1600	850x250	335	305	490	1090
21J003G3C0001	2600	III	550	1300	900x250	370	310	500	1195
21J003G3C0002	2600	III	750	1600	900x250	370	320	530	1260
21J003Q3C0001	3000	III	400	1300	1015x300	380	325	525	1510
21J003W4C0001	3600	IV	750	1800	1050x300	420	330	575	1840

#### OIL FLOW RATE

ISO	(L/min)		
	+  +	↻	↻
II	25	25	20
III	30	25	20
IV	35	35	25

- +||+ Clamping
- ↻ Rotation
- ↻ Tipping



- P ATTACHMENT CAPACITY
- J/K ROLLS DIAMETER
- DxL CONTACT PADS
- S THICKNESS
- CG CENTRE OF GRAVITY
- CG1 CENTRE OF GRAVITY
- Q WEIGHT

Please refer to our catalogue for further Special Equipment