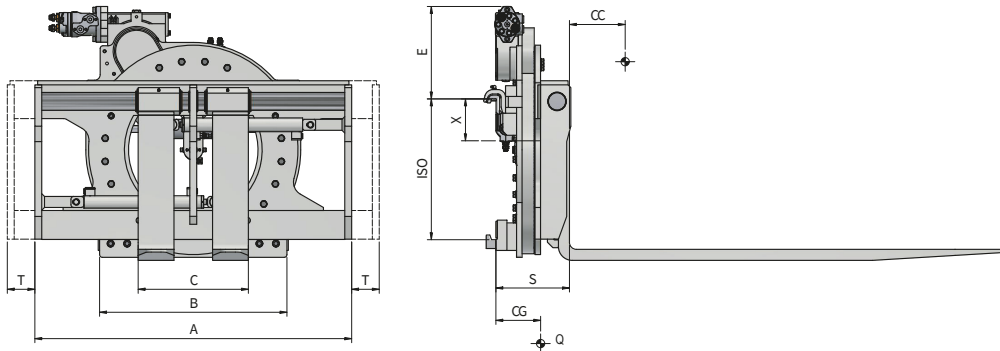


301 PPT SLS 360° Rotator with Integral Fork Positioner, Pin-Type Forks and Integral Sideshift



HYDRAULIC FUNCTIONS: 3 | MAX WORKING PRESSURE: 175 Bar

Features:

- Continuous rotation of 360° in both directions.
- Suitable for loads of different sizes.
- Recommended use of forks with reinforced lower hooks.

Special Equipment:

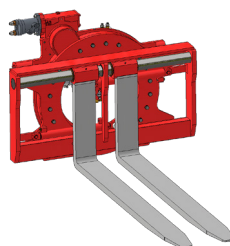
- Special widths and/or strokes.
- Custom made Forks.
- Load Backrest.
- Special versions for Agriculture, Fish Industry and Foundries.

ART. N°	P (Kg)	CC (mm)	ISO 2328	A (mm)	E (mm)	B (mm)	X (mm)	C		DxGxL (mm)	Nm P (100 Bar)	T (mm)	S (mm)	CG (mm)	Q (Kg)
								Min	Max						
23EC42A4003	1600	500	II	1000	314	700	141	360	930	100x40x1200	6700	± 100	246,5	254	380
23EE82A4001	2200	500	II	1100	314	700	141	360	1030	100x40x1200	6700	± 100	246,5	252	395
23EHS3A4007	3000	500	III	1150	335,5	900	185	400	1080	120x45x1200	7400	± 100	266,5	240	543
23EHS3A4008	3400	500	III	1270	335,5	900	185	400	1200	120x45x1200	12300	± 100	266,5	237	549
23EK63A4009	4200	500	III	1350	335,5	900	185	400	1280	150x50x1200	12300	± 100	271,5	271	593
23EL83A4008	4800	500	III	1660	335,5	900	185	400	1590	150x50x1200	12300	± 100	271,5	267	610
23ELM3A4002	5000	600	III	1350	305,5	960	185	550	1260	150x60x1200	13000	± 100	364	270	950
23ELM4A4005	5000	600	IV	1600	305,5	960	262	550	1510	150x60x1200	13000	± 100	343,5	274	1026
23END4A4004	5500	600	IV	1800	305,5	960	262	550	1710	150x60x1200	14100	± 100	343,5	262	1150
23EQ54A4004	7000	600	IV	2000	287	1300	262	550	1910	150x60x1200	16200	± 150	386,5	270	1320
23ER04A4002	8000	600	IV	2000	287	1300	262	550	1910	200x60x1200	24200	± 150	386,5	293	1400

OIL FLOW RATE

ISO	(L/min)		
	↔	↔	↻
II	10	25	35
III	15	25/30*	35
IV	18	30	35

↔ Shifting
 ↕ Opening
 ↕ Closing
 ↻ Rotation



P ATTACHMENT CAPACITY
CC LOAD CENTRE OF GRAVITY
A CARRIAGE WIDTH
E HEIGHT
B MINIMUM FORK CARRIAGE
X ROTATION CENTRE
C OPENING RANGE
DxGxL FORKS
Nm P TORQUE
T STROKE
S THICKNESS
CG CENTRE OF GRAVITY
Q WEIGHT

Please refer to our catalogue for further Special Equipment