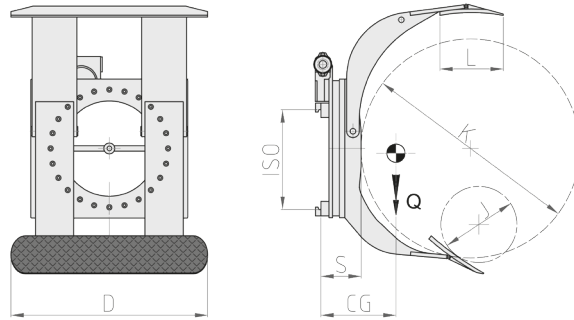


340 TF 360° Rotating TISSUE Roll Clamp with short fixed arm



HYDRAULIC FUNCTIONS: 2 | MAX WORKING PRESSURE: 175 Bar

Features:

- Clamping and rotation of one or more overlapping rolls of the same diameter.
- Short fixed arm and long entire arm.
- 360° or 180° rotation with mechanical block.

Special Equipment:

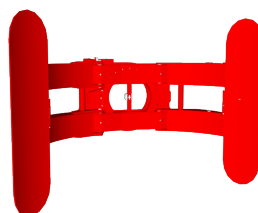
- Custom made capacities/openings.
- Custom made Contact Pads.
- Rotating or Fixed Clamp with parallel arms with reduced dimensions for container loading/unloading operations.

ART. N°	P (Kg)	ISO 2328	J (mm)	K (mm)	DxL (mm)	S (mm)	CG (mm)	Q (Kg)
21G042G2C0001	900	II	350	1400	850x300	178	215	495
21G042Q2C0001	1300	II	400	1600	1300x350	186	250	620
21G04343C0001	2000	III	400	1600	1400x350	202	260	835
21G043G3C0001	2600	III	750	1800	1400x350	215	275	1350
21G043G4C0007	2600	IV	1000	2400	1400x350	270	285	1870

OIL FLOW RATE

ISO	(L/min)	
	⊕⊖	↻
II	25	25
III	30	25
IV	30	30

⊕⊖ Clamping
↻ Rotation



P ATTACHMENT CAPACITY
J/K ROLLS DIAMETER
DxL CONTACT PADS
S THICKNESS
CG CENTRE OF GRAVITY
Q WEIGHT

Please refer to our catalogue for further Special Equipment