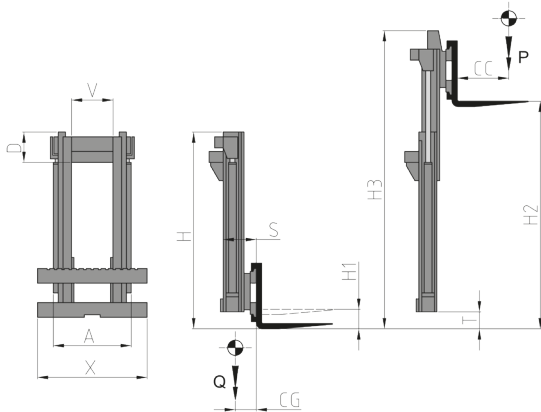


828 Simplex Mast without free lift

Features:

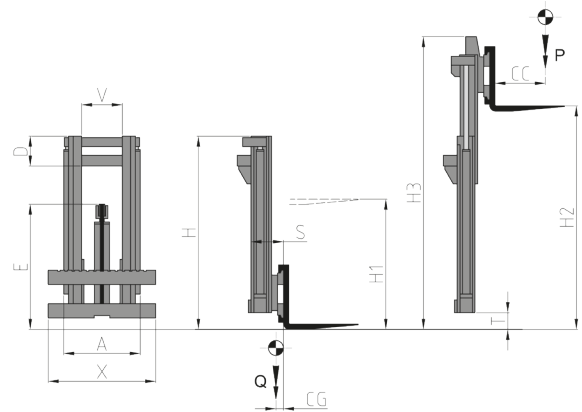
- Range from 1t to 52t. • For small capacity forklifts, laser guided shuttles, naval applications. • For high-capacity forklifts handling full or empty containers, to be stacked up to the eighth row.



810.838 Duplex Mast full free lift

Features:

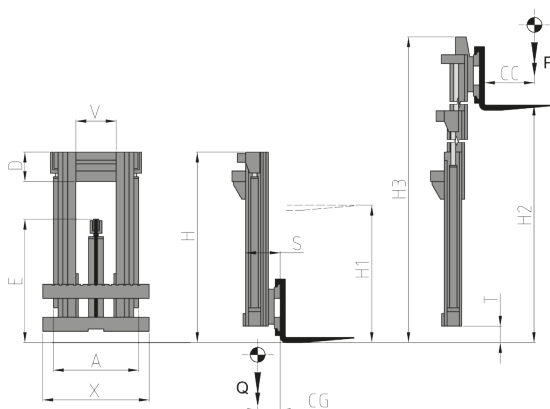
- Range from 1t to 52t. • For small capacity forklifts, laser guided shuttles, naval applications. • For high-capacity forklifts handling full or empty containers, to be stacked up to the eighth row. • Full free lift of the forklift carriage. • To work in spaces of reduced height and with the need to overlap more pallets.



808.809 Triplex Mast full free lift

Features:

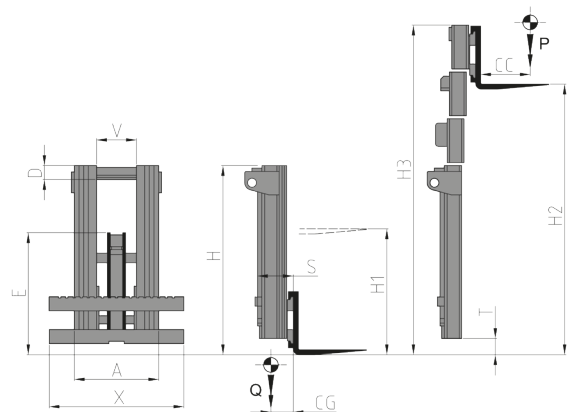
- Range from 1t to 52t. • For all types of counterbalanced forklifts/AGV/ fixed workstations. • It allows large lift-ups with reduced height and full free lift-up of the forklift carriage.



848 Quadruplex Mast full free lift

Features:

- For all types of counterbalanced forklifts/AGV/ fixed workstations. • It allows large lift-ups with reduced height and full free lift-up of the forklift carriage (with a greater reduction in space when the mast is closed and increased elevations compared to the Triplex).



NOTE

Hydraulic/Electric Systems, Sideshifts, Fork Positioners, and specific handling attachments can be supplied for each type of Mast.