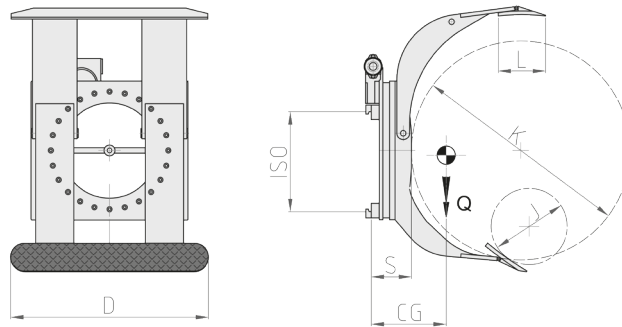


340 SF 360° Rotating Roll Clamp with short fixed arm



HYDRAULIC FUNCTIONS: 2 | MAX WORKING PRESSURE: 175 Bar

Features:

- Clamping and rotation of one or more overlapping rolls of the same diameter.
- Short fixed arm and long entire arm.
- 360° or 180° rotation with mechanical block.

Special Equipment:

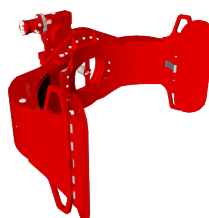
- Custom made capacities/openings.
- Custom made Contact Pads.
- Rotating or Fixed Clamp with parallel arms with reduced dimensions for container loading/unloading operations.

ART. N°	P (Kg)	ISO 2328	J (mm)	K (mm)	DxL (mm)	S (mm)	CG (mm)	Q (Kg)
21G002G2C0001	900	II	350	1100	700x200	178	200	400
21G002G2C0002	900	II	350	1400	700x200	178	205	480
21G002Q2C0001	1300	II	400	1150	750x250	186	220	520
21G002Q2C0002	1300	II	400	1300	750x250	186	230	525
21G00342C0003	2000	II	400	1300	850x250	202	235	620
21G00343C0002	2000	III	400	1300	850x250	202	235	750
21G00343C0003	2000	III	400	1600	850x250	202	240	820
21G003G3C0004	2600	III	550	1300	900x250	215	245	870
21G003G3C0005	2600	III	750	1600	900x250	215	255	940
21G003Q3C0003	3000	III	400	1300	1015x300	225	260	990
21G003W4C0001	3600	IV	750	1800	1050x300	255	275	1440

OIL FLOW RATE

ISO	(L/min)	
	⊕⊖	↻
II	25	25
III	30	25
IV	35	35

⊕⊖ Clamping
↻ Rotation



P ATTACHMENT CAPACITY
J/K ROLLS DIAMETER
DxL CONTACT PADS
S THICKNESS
CG CENTRE OF GRAVITY
Q WEIGHT

Please refer to our catalogue for further Special Equipment