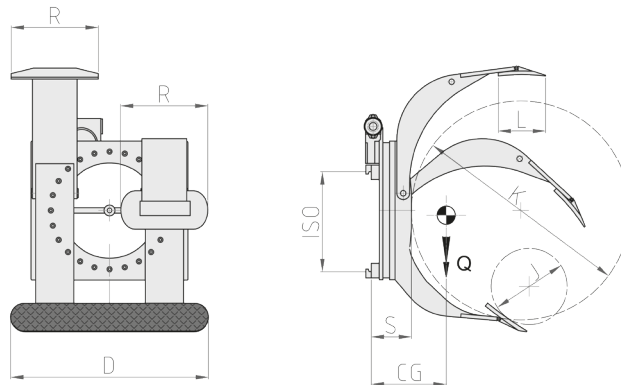


### 340 DF 360° Rotating Roll Clamp with short fixed arm and long split arm



HYDRAULIC FUNCTIONS: 2 | MAX WORKING PRESSURE: 175 Bar

#### Features:

- Clamping and rotation of one or more overlapping rolls of different diameters.
- Short fixed arm and long split arm.
- 360° or 180° rotation with mechanical block.

#### Special Equipment:

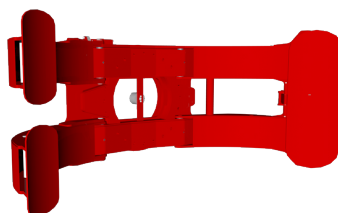
- Custom made capacities/openings.
- Custom made Contact Pads.
- Rotating or Fixed Clamp with parallel arms with reduced dimensions for container loading/unloading operations.

ART. N°	P (Kg)	ISO 2328	J (mm)	K (mm)	DxL (mm)	RxL (mm)	S (mm)	CG (mm)	Q (Kg)
21G022G2C0001	900	II	350	1100	700x200	310x200	178	200	420
21G022G2C0002	900	II	350	1400	700x200	310x200	178	205	470
21G022Q2C0001	1300	II	400	1150	750x250	315x250	186	220	480
21G022Q2C0002	1300	II	400	1300	750x250	315x250	186	230	515
21G02342C0001	2000	II	400	1300	850x250	365x250	202	235	605
21G02343C0001	2000	III	400	1300	850x250	365x250	202	235	735
21G02343C0003	2000	III	400	1600	850x250	365x250	202	240	805
21G023G3C0003	2600	III	550	1300	900x250	390x250	215	245	855
21G023G3C0004	2600	III	750	1600	900x250	390x250	215	255	915
21G023Q3C0001	3000	III	400	1300	1015x300	445x300	225	260	970
21G023W4C0001	3600	IV	750	1800	1050x300	465x300	255	275	1410

#### OIL FLOW RATE

ISO	(L/min)	
	⊕⊖	↻
II	25	25
III	30	25
IV	35	35

⊕⊖ Clamping  
↻ Rotation



P ATTACHMENT CAPACITY  
J/K ROLLS DIAMETER  
DxL SHORT ARM CONTACT PAD  
RxL LONG ARM CONTACT PADS  
S THICKNESS  
CG CENTER OF GRAVITY  
Q WEIGHT

Please refer to our catalogue for further Special Equipment