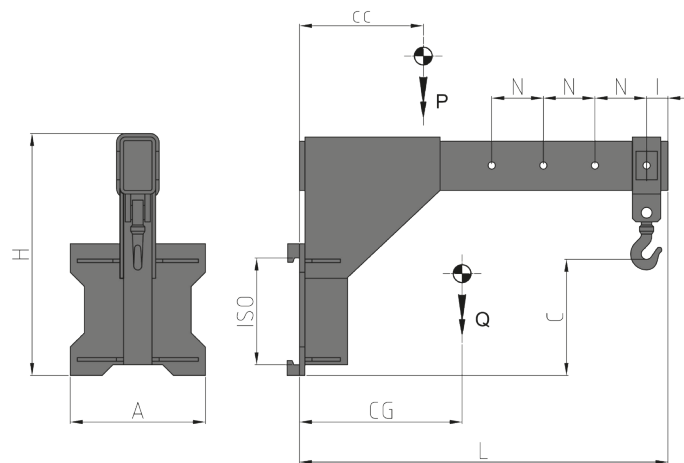


# Mechanical Attachments

Crane Jib, designed to move suspended loads through the use of belts or chains.

## 980 CRANE JIB

REFERENCE	CAPACITY (P) Kg	LOAD CENTRE (CC) mm	ISO 2328 FEM	WIDTH (A) mm	HEIGHT (H) mm	LENGHT (L) mm	HOLE DISTANCE (I) mm	AXIX- CENTRE DISTANCE (N) mm	HOOK HEIGHT (C) mm	CENTER OF GRAVITY (CG) mm	WEIGHT (Q) Kg
45LBS2C003	1500	500	II	480	900	1276	76	200	200	340	130
45LFA2C009	2500	500	II	480	900	1376	76	200	200	390	160
45LHY3C007	3500	500	III	480	1035	1476	76	200	200	410	230
45LLL3C001	5000	500	III	480	1035	1476	76	200	200	430	260
45LR04C001	8000	600	IV	560	1305	1686	86	200	200	490	440



### OPTIONS

- Pipes and Fitting Kit.
- Quick Release Hoses couplings Kit.
- Pressure Gauge.
- Quick Release Hooks.
- Solenoid Valve two functions with Electric Kit (specify voltage).
- Pressure Relief Valve.
- 3 position Pressure Relief Valve.
- Semi-integral Sideshift.
- Automatic Greasing System for semi-integral Sideshift.

### OTHER MECHANICAL ATTACHMENTS

- Different specifications can be provided upon request.

