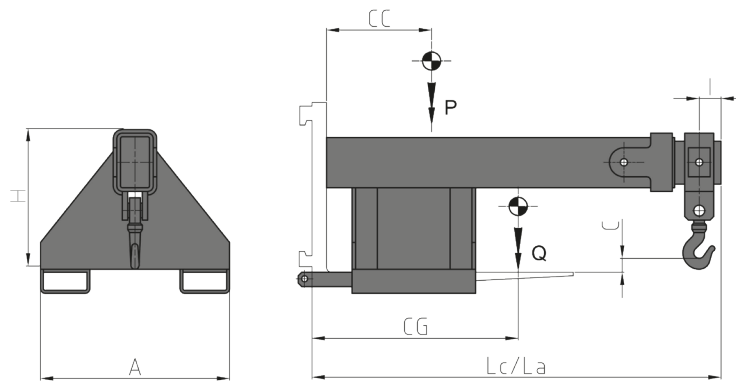


Mechanical Attachments

Fork Mounted Crane Jib, designed to move suspended loads through the use of belts or chains.

976 FORK MOUNTED CRANE JIB WITH EXTENDING ARM

REFERENCE	CAPACITY (P) Kg	LOAD CENTRE (CC) mm	WIDTH (A) mm	HEIGHT (H) mm	CLOSED LENGTH (Lc) mm	OPEN LENGTH (La) mm	HOLE DISTANCE (l) mm	HOOK HEIGHT (C) mm	CENTER OF GRAVITY (CG) mm	WEIGHT (Q) Kg
45MFA6D001	2500	500	620	481	1376	1976	76	15	540	170
45MHY6D001	3500	500	720	580	1376	1976	76	20	250	250
45MLL6D001	5000	500	720	580	1376	1976	76	20	580	280
45MR04C001	8000	600	830	730	1486	2086	86	20	590	530



OPTIONS

- Pipes and Fitting Kit.
- Quick Release Hoses couplings Kit.
- Pressure Gauge.
- Quick Release Hooks.
- Solenoid Valve two functions with Electric Kit (specify voltage).
- Pressure Relief Valve.
- 3 position Pressure Relief Valve.
- Semi-integral Sideshift.
- Automatic Greasing System for semi-integral Sideshift.

OTHER MECHANICAL ATTACHMENTS

- Different specifications can be provided upon request.

