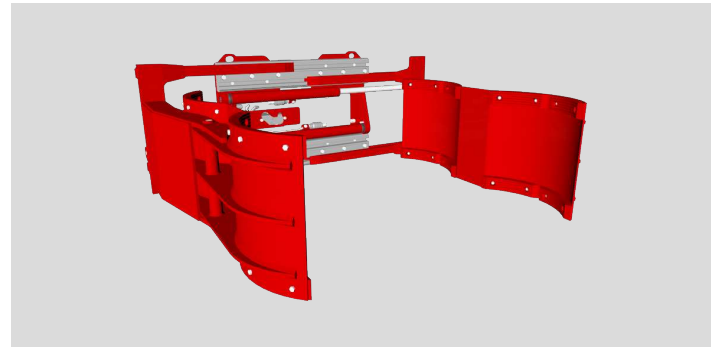
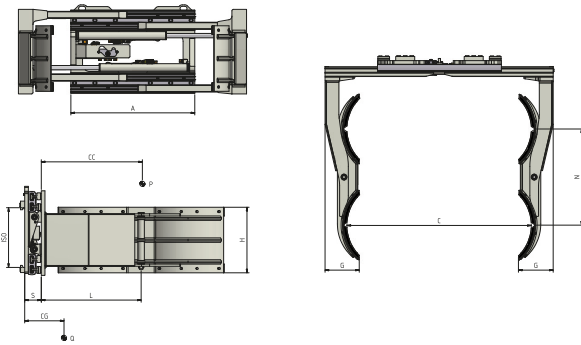


Clamp specifically suggested to customers who need to move two or four barrels together. The clamping force, which can be set through hydraulic valve, allows a safe movement of the load. A pressure relief valve, a non-return valve and a regenerative valve are supplied as standard on each model. Min. and Max. openings can be adapted to different needs, as arms dimension and length. Side shifting valve and semi-integral sideshift available on request.

474.190 DRUM CLAMP FOR TWO OR FOUR DRUMS

REFERENCE	ATTACHMENT CAPACITY (P) Kg	LOAD CENTRE (CC) mm	ISO 2328 FEM	FRAME WIDTH (A) mm	OPENING RANGE (C MIN) mm (C MAX) mm		BLADES DIMENSIONS (GxHxL) mm	DISTANCE (N) mm	THICKNESS (S) mm	CENTER OF GRAVITY (CG) mm	WEIGHT (Q) Kg
11L24AQ2C0001	1200	500	II	950	440	1680	100X200X675	660	109	242	282
11L24D62C0001	1900	500	II	1050	330	1580	120X200X675	660	137	223	490

Hydraulic functions required: 1 | Maximum working pressure: 175 bar



OPTIONS

- Pipes and Fitting Kit.
- Quick Release Hoses couplings Kit.
- Pressure Gauge.
- Bronze Wear Pads.
- Quick Release Hooks.
- Solenoid Valve two Functions with Electric Kit (specify voltage).
- Pressure Relief Valve, Non-Return Valve, Regenerative Valve.
- 3 Position Pressure Relief Valve.
- Manual Pressure-Relief Panel with Pressure Gauge and Indicator Lamp.
- Electronic Pressure-Relief Panel with Keyboard and Indicator Lamp.
- Automatic Pressure-Relief System.
- Sideshifting Valve.
- Semi-Integral Sideshift.
- Automatic Greasing System for Semi-Integral Sideshift.

- Preparation of Clamp for quick Change Arms (up to/over 3500 Kg).
- Preparation of quick Change Arms (up to/over 3500 Kg capacity).
- Cylinder Protection Plate.
- Wear-free Plates under the Frame.
- Wear-free Plates under the Blades.

ADDITIONAL EQUIPMENT ON REQUEST

- Clamps with special width and/or stroke.
- Load Backrest of various widths and heights.
- V-shaped plates of various diameters for barrel grabbing.

OIL FLOW RATE

TYPE	ISO 2328 - FEM	MIN CAPACITY (L/min)	MAX CAPACITY (L/min)	RECOMMENDED CAPACITY (L/min)
474.190	ISO 3	15	40	25

