

Multipallet Handlers

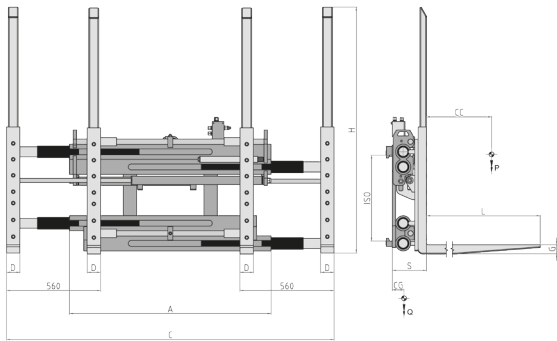
Multipallet Handler that allows to move one or two pallets side by side, or four pallets in double depth thanks to the small dimension of the frame that eases operations in limited spaces. Four Bolt-on Forks, supplied as standard with reinforced heel and load backrest, make them easy and quick to replace.

917.4 DOUBLE FORK POSITIONER

FOR 1 - 2 - 4 PALLETS

REFERENCE	CAPACITY (P) Kg	LOAD CENTRE (CC) mm	ISO 2328 - FEM	CARRIAGE WIDTH (A) mm	OPENING RANGE (C MIN) mm (C MAX) mm		FORKS (DxGxL) mm	(H) mm	THICKNESS (S) mm	CENTER OF GRAVITY (CG) mm	WEIGHT (Q) Kg
15RFC3A0001	2500	1200	III	1400	560	1940	80x60x2400	1460	200	480	980
15RJ64A0001	3600	1200	IV	1400	560	1940	80x70x2400	1460	210	435	1250
15RKY4A0001	4600	1200	IV	1400	560	1940	80x70x2400	1460	210	445	1310

Hydraulic functions required: 1 | Maximum working pressure: 200 bar



OPTIONS

- Pipes and Fitting Kit.
- Quick Release Hoses couplings Kit.
- Pressure Gauge.
- Bronze Wear Pads.
- Quick Release Hooks.
- Solenoid Valve two Functions with Electric Kit (specify voltage).
- Pressure Relief Valve.
- Automatic Greasing System for Semi-Integral Sideshift.

ADDITIONAL EQUIPMENT ON REQUEST

- Multi Pallet Handlers with special width and/or stroke.
- Forks with any section and lenght.
- Load Backrest of various widths and heights.
- Load Stabilizers.

OIL FLOW RATE

TYPE	ISO 2328 - FEM	MIN CAPACITY (L/min)	MAX CAPACITY (L/min)	RECOMMENDED CAPACITY (L/min)
917.4	ISO 3	30	50	45
917.4	ISO 4	30	50	45

- A - Pin-Type Forks
- B - Bolted Forks
- C - Welded Forks
- D - Telescopic Forks

