

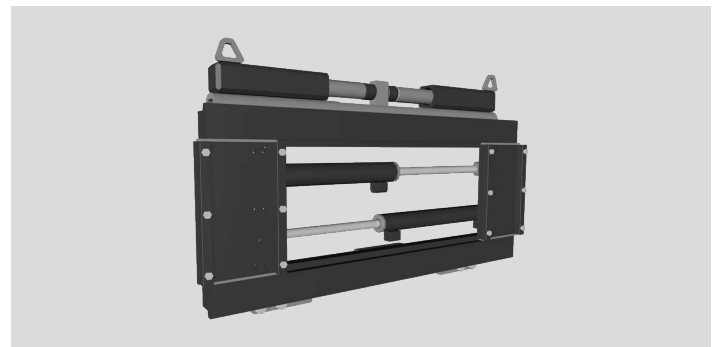
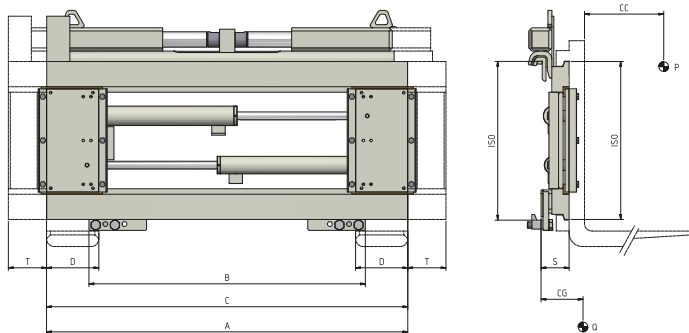
Fork Positioners

Fork Positioner that guarantees a constant and synchronized movement of the forks thanks to differentiated cylinders . We suggest not to mount forks over 1500 mm long. Adjustable plates allow to use forks with different sections size. A pressure relief valve is supplied as standard on each model.

676 FORK POSITIONER WITH INTEGRAL SIDESHIFT

REFERENCE	CAPACITY (P) Kg	LOAD CENTRE (CC) mm	ISO 2328 - FEM	CARRIAGE WIDTH (A) mm	MIN FORK CARRIAGE (B) mm	OPENING RANGE (C) mm		FORK WIDTH (D) mm	STROKE (T) mm	THICKNESS (S) mm	CENTER OF GRAVITY (CG) mm	WEIGHT (Q) Kg
						(C MIN)	(C MAX)					
17TLL3C2004	5000	500	III	1500	1080	430	1500	150	100	80	46	202
17TLL3C2005	5000	500	III	1560	1150	430	1560	150	100	80	46	205
17TLL3C2006	5000	500	III	1660	1250	430	1660	150	100	80	46	210
17TR04C2009	8000	600	IV	1420	1400	560	1420	200	100	94	49	313
17TR04C2013	8000	600	IV	1600	1640	560	1600	200	100	94	50	374
17TR04C2011	8000	600	IV	1800	1700	560	1800	200	100	94	50	383
17TR04C2012	8000	600	IV	2000	1800	560	2000	200	150	94	50	409

Hydraulic functions required: 2 | Maximum working pressure: 80 bar



OPTIONS

- Pipes and Fitting Kit.
- Quick Release Hoses couplings Kit.
- Pressure Gauge.
- Bronze Wear Pads.
- Quick Release Hooks.
- Drilling for Load Backrest.
- Solenoid Valve two Functions with Electric Kit (specify voltage).
- Pressure Relief Valve supplied as standard.
- Check Valve for Barrel Grabbing.
- Automatic Greasing System for Semi-Integral Sideshift.

ADDITIONAL EQUIPMENT ON REQUEST

- Forks Positioners with special width and/or stroke.
- Forks with any section and lenght.
- Load Backrest of various widths and heights.

OIL FLOW RATE

In **bold** the values referred to the sideshift capacities.

TYPE	ISO 2328 - FEM	MIN CAPACITY (L/min)	MAX CAPACITY (L/min)	RECOMMENDED CAPACITY (L/min)
676	ISO 3	15/10	25/20	20/15
676	ISO 4	35/12	60/25	45/18

- A - Pin-Type Forks
- B - Bolted Forks
- C - Welded Forks
- D - Telescopic Forks

