

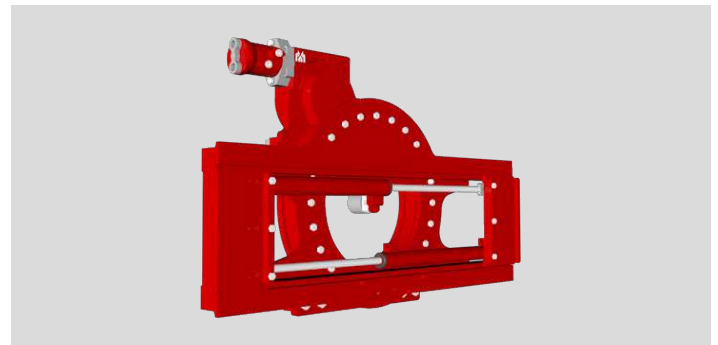
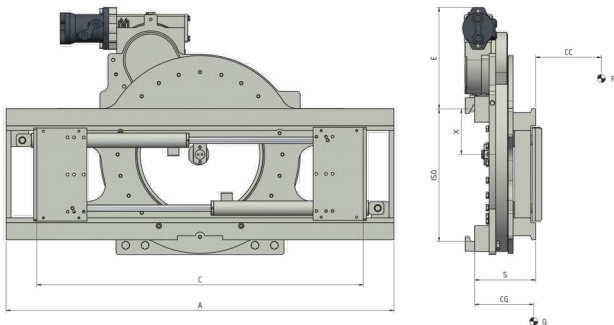
Rotators

Rotator that provides a continuous 360° rotation in both directions. It can adjust the distance between the forks to adapt to loads of different sizes thanks to the hydraulic functions. Forks with Reinforced Lower Hooks are required to move the overturned load. Different versions with Pin-Type Forks are also available. Special versions for Foundries, Agricultural or Fishing Industries can be realized on request.

301RFI 360° ROTATORS WITH INTEGRAL FORK POSITIONER

REFERENCE	CAPACITY (P) Kg	LOAD CENTRE (CC) mm	ISO 2328 FEM	CARRIAGE WIDTH (A) mm	MIN FORK CARRIAGE mm	ROTATION CENTER (X) mm	OPENING RANGE		HEIGHT (H) mm	THICKNESS (S) mm	CENTER OF GRAVITY (CG) mm	WEIGHT (Q) Kg
							(CMIN) mm	(CMAX) mm				
23EC42C3001	1600	500	II	900	580	141	320	900	314	189	95	236
23EC42C3002	1600	500	II	1000	580	141	320	1000	314	189	96	246
23EE82C3010	2200	500	II	1000	580	141	320	1000	314	189	96	246
23EE82C3002	2200	500	II	1100	580	141	320	1100	314	189	97	256
23EH23C3006	3000	500	III	1100	750	185	430	1100	336	197	99	400
23EH23C3002	3000	500	III	1150	750	185	430	1150	336	197	100	406
23EH23C3003	3000	500	III	1270	750	185	430	1270	336	197	101	416
23EHS3C3001	3400	500	III	1150	750	185	430	1150	336	197	100	406
23EHS3C3002	3400	500	III	1270	750	185	430	1270	336	197	101	416
23EK63C3001	4200	500	III	1270	750	185	430	1270	336	197	101	416
23EK63C3002	4200	500	III	1660	750	185	430	1660	336	197	106	436
23EL83C3001	4800	500	III	1270	750	185	430	1270	336	197	101	416
23EL83C3002	4800	500	III	1660	750	185	430	1660	336	197	106	436
23ELM4C3001	5000	600	IV	1600	1060	235	560	1600	307	227	117	734
23END4C3001	5500	600	IV	1800	1060	235	560	1800	307	227	120	760
23EQ54C3001	7000	600	IV	2000	1050	262	560	2000	287	276	140	950
23ER04C3002	8000	600	IV	2000	1050	262	560	2000	287	276	140	950

Hydraulic functions required: 2 | Maximum working pressure: 175 bar



OPTIONS

- Pipes and Fitting Kit. • Quick Release Hoses couplings Kit. • Pressure Gauge. • Bronze Wear Pads. • Quick Release Hooks. • Drilling for Load Backrest. • Solenoid Valve two Functions with Electric Kit (specify voltage). • Pressure Relief Valve. • Check Valve for Barrel Grabbing. • Sideshifting Valve for models with Pin-Type Forks. • Semi-Integral Sideshift. • Automatic Greasing System for Semi-Integral Sideshift. • Mechanical Block of Rotation at 180°.

ADDITIONAL EQUIPMENT ON REQUEST

- Rotators with special width and/or stroke. • Forks with any section and length. • Load Backrest of various widths and heights. • Pin-Type Fork Connection for ISO 2, 3, 4. • 1000 mm Side Resistant Arm for ISO 2, 3. • Foundry Version (Heat Shield on the Crown) for all types of ISO. • Fishing Industry Version (Heat Shield on the Crown and Anti-Corrosion Treatment) for all types of ISO. • Motor Protection for for all types of ISO. • Closing of the Central Opening for for all types of ISO. • Central Greasing System with Heat-Resistant Grease for for all types of ISO.

OIL FLOW RATE

In **bold** the values referred to the capacities of the functions which are different from the rotation.

TYPE	ISO 2328 - FEM	MIN CAPACITY (L/min)	MAX CAPACITY (L/min)	RECOMMENDED CAPACITY (L/min)
301RFI	ISO 2	15/10	60/35	35/25
301RFI	ISO 3	15/10	60/35	35/25
301RFI	23EH2, 23EHS, 23EK6	15/15	60/50	35/30
301RFI	ISO 3 - 23EL8	15/15	60/50	35/30
301RFI	ISO 4	15/15	60/50	35/30

- A - Pin-Type Forks
- B - Bolted Forks
- C - Welded Forks
- D - Telescopic Forks

