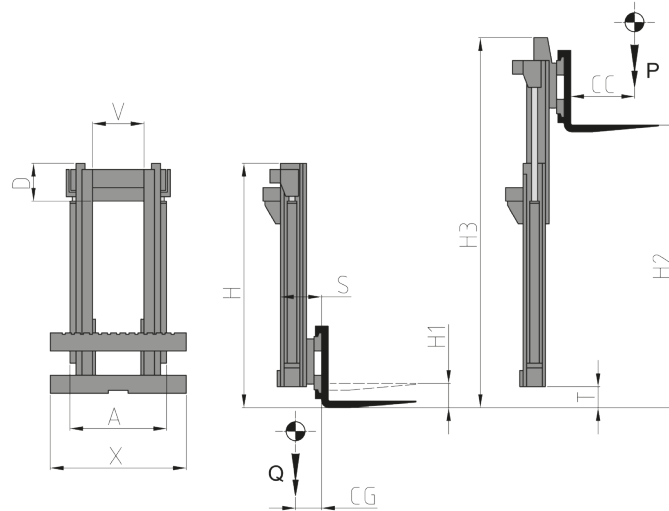


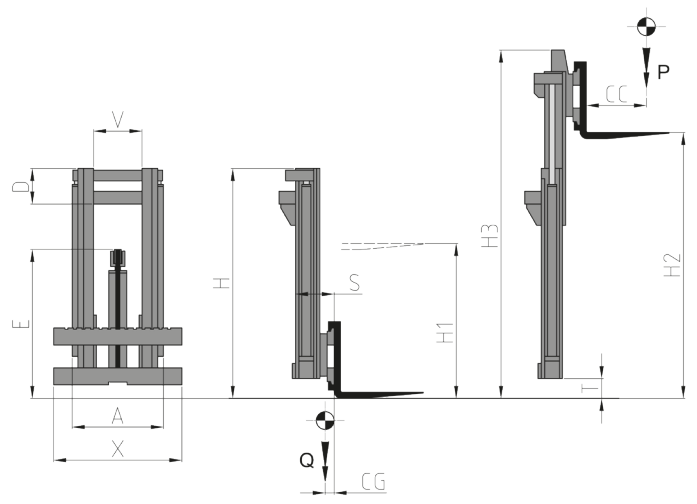
828 SIMPLEX MAST WITHOUT FREE LIFT

Simplex Mast, designed with a capacity from 1t to 52t. Mast for small-capacity Forklift Trucks, for laser-guided shuttles, for naval uses or for high-capacity, Forklift Trucks to handle full or empty containers, that can be overlapped up to the eighth row. Hydraulic or Electrical Systems, Sideshifts and Hydraulic Fork Positioners can be supplied on request, as well as specific handling attachments.



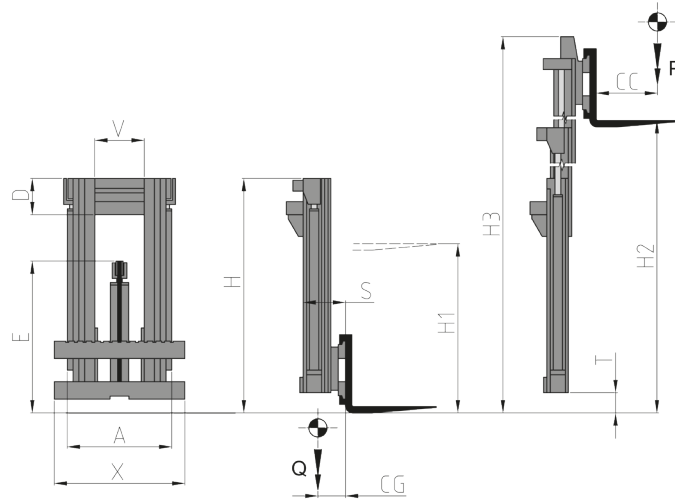
810.838 DOUBLE MAST WITH FULL FREE LIFT

Double Mast, recommended when you have to work with reduced height encumbrances or when you need to place on pallets.



808.809 TRIPLEX MAST WITH FULL FREE LIFT

Triplex Mast combines big lifting height with reduced dimensions in height and full free lift of the Forklift plate. Hydraulic or Electrical Systems, Sideshifts and Hydraulic Fork Positioners can be supplied on request, as well as specific handling attachments. Triplex Mast can be supplied with capacities from 1t to 52t, for Forklift Truck of any type, or for fixed positions.



848 QUADRUPLEX MAST WITH FULL FREE LIFT

Quadruplex Mast has the same use as the Triplex one, but it reduces even more the space when the mast is closed and it increases the elevations. Hydraulic or Electrical Systems, Sideshifts and Hydraulic Fork Positioners can be supplied on request, as well as specific handling attachments.

