

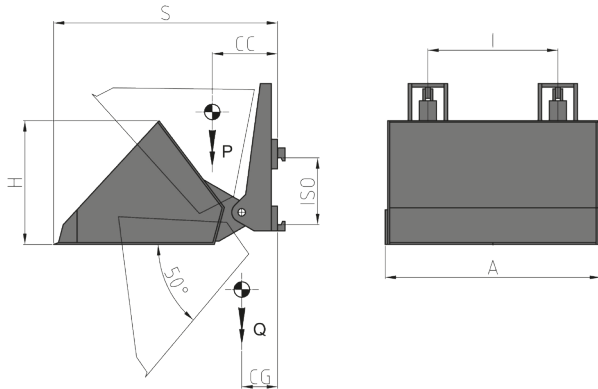
Hydraulic Attachments

Hydraulic Bucket is designed to allow the load/unload operations of building industry materials (sand, gravel, concrete, terrain). It can also be used in agriculture.

965 HYDRAULIC BUCKET

REFERENCE	ISO 2328 FEM	CAPACITY (P) Kg	LOAD CENTER (CC) mm	LOADING CAPACITY m ³	(A) mm	BUCKET SIZES (H) mm	(l) mm	THICKNESS (S) mm	CENTER OF GRAVITY (CG) mm	WEIGHT (Q) Kg
41A082A006	II	930	450	0.52	1000	704	580	1415	320	320
41A0A2A002	II	1110	450	0.62	1200	704	580	1415	340	340
41A0D2A001	II	1310	450	0.73	1400	704	580	1415	360	360
41A0E2A002	II	1530	480	0.85	1200	925	600	1540	360	480
41A0E3A002	III	1530	480	0.85	1200	925	600	1540	360	500
41A0J2A004	II	1760	480	0.98	1400	925	600	1540	390	510
41A0J3A004	III	1760	480	0.98	1400	925	600	1540	390	510
41A0L2A002	II	2010	480	1.12	1600	925	600	1540	410	540
41A0L3A002	III	2010	480	1.12	1600	925	600	1540	410	540
41A0P3A002	III	2610	520	1.45	1600	1205	800	1960	400	670
41A0P4A002	IV	2610	520	1.45	1600	1205	800	1960	400	670
41A0Q3A001	III	2920	520	1.62	1800	1205	800	1960	430	700
41A0Q4A001	IV	2920	520	1.62	1800	1205	800	1960	430	700
41A0S3A001	III	3240	520	1.80	2000	1205	800	1960	450	730
41A0S4A001	IV	3240	520	1.80	2000	1205	800	1960	450	730

Hydraulic functions required: 1 | Maximum working pressure: 175 bar



OPTIONS

- Pipes and Fitting Kit.
- Quick Release Hoses couplings Kit.
- Pressure Gauge.
- Quick Release Hooks.
- Solenoid Valve two functions with Electric Kit (specify voltage).
- Pressure Relief Valve.
- 3 position Pressure Relief Valve.
- Semi-integral Sideshift.
- Automatic Greasing System for semi-integral Sideshift.

OTHER HYDRAULIC ATTACHMENTS

- Different specifications can be provided upon request.

OIL FLOW RATE

TYPE	ISO 2328 - FEM	MIN CAPACITY (L/min)	MAX CAPACITY (L/min)	RECOMMENDED CAPACITY (L/min)
965	ISO 2	8	25	15
965	ISO 3	12	40	25
965	ISO 4	15	50	30

