

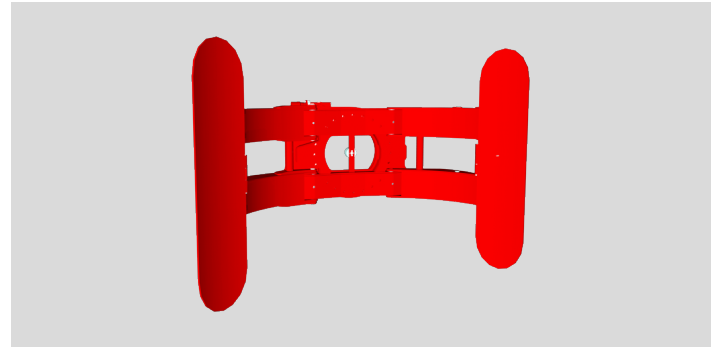
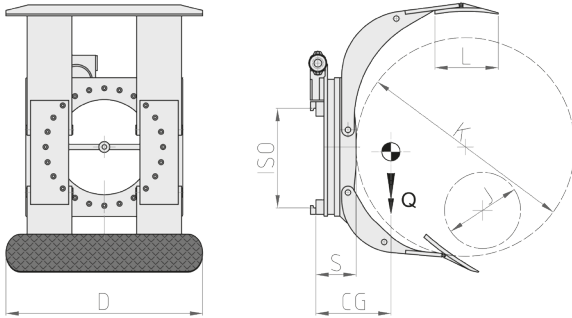
# Roll Clamps

**Roll Clamp** with a short adjustable arm, which allows a wider opening, and a long complete one. Its 360° rotation can be mechanically blocked at 180° on request, and it allows to grab and rotate one or more overlapping rolls with the same diameter. A wide choice of openings, capacities and contact pads allow to find the perfect attachment for every needs.

## 340<sup>TM</sup> 360° ROTATING TISSUE ROLL CLAMP WITH ADJUSTABLE ARMS

REFERENCE	ATTACHMENT CAPACITY Kg	ISO 2328 FEM	ROLLS DIAMETER		CONTACT PADS (DxL) mm	THICKNESS (S) mm	CENTER OF GRAVITY (CG) mm	WEIGHT (Q) Kg
			(J) mm	(K) mm				
21G052G2C0001	900	II	250	1400	850X300	178	220	525
21G052Q2C0001	1300	II	250	1600	1300X350	186	255	650
21G05343C0001	2000	III	250	1600	1400X350	202	265	1025
21G053G3C0001	2600	III	480	1800	1400X350	215	280	1140
21G053G4C0005	2600	IV	480	2400	1400X350	270	285	1980

Hydraulic functions required: 2 | Maximum working pressure: 175 bar



### OPTIONS

- Pipes and Fitting Kit.
- Quick Release Hoses couplings Kit.
- Pressure Gauge.
- Quick Release Hooks.
- Solenoid Valve two Functions with Electric Kit (specify voltage).
- Pressure Relief Valve, Non-Return Valve, Regenerative Valve.
- 3 Position Pressure Relief Valve.
- Manual Pressure-Relief Panel with Pressure Gauge and Indicator Lamp.
- Electronic Pressure-Relief Panel with Keyboard and Indicator Lamp.
- Automatic Pressure-Relief System.
- Semi-Integral Sideshift.
- Automatic Greasing System for Semi-Integral Sideshift.
- Mechanical block of Rotation at 180°.
- Milled Contact Plates/Coated Plates with a corundum layer (on request).
- Contact Plates with standard Rubber Coating.
- Contact Plates with smooth Rubber Coating.
- Contact Plates with honeycomb Rubber Coating

### ADDITIONAL EQUIPMENT ON REQUEST

- Roll and Tyres Clamps with special width and/or stroke.
- Roll and Tyres Clamps with parallel arms (ideal for containers loading/unloading operations, due to the clamp small size). Available both in the rotating and in the fixed versions.

### OIL FLOW RATE

In **bold** the values referred to the functions capacities, which are different from the clamping.

TYPE	ISO 2328 - FEM	MIN CAPACITY (L/min)	MAX CAPACITY (L/min)	RECOMMENDED CAPACITY (L/min)
340 TM	ISO 2	20/10	40/60	25/25
340 TM	ISO 3	22/10	40/60	30/25
340 TM	ISO 4	25/15	50/60	30/30

