

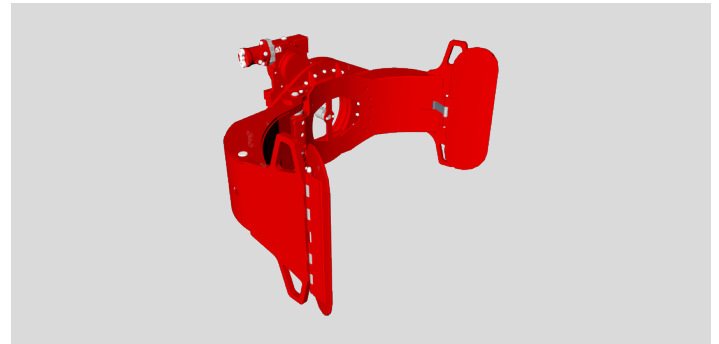
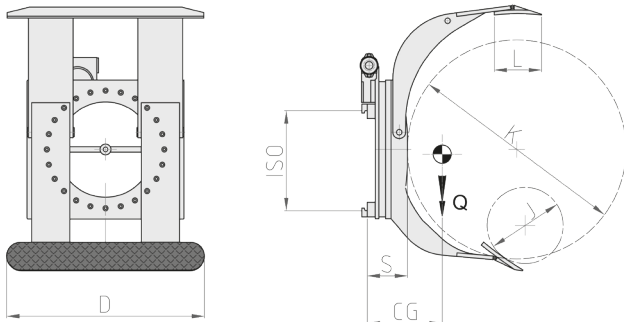
Roll Clamps

Roll Clamp with a short fixed arm and a long complete one. Its 360° rotation can be mechanically blocked at 180° on request, and it allows to grab and rotate one or more overlapping rolls with the same diameter. A wide choice of openings, capacities and contact pads allow to find the perfect attachment for every needs.

340SF 360° ROTATING ROLL CLAMP WITH SHORT FIXED ARM

REFERENCE	ATTACHMENT CAPACITY Kg	ISO 2328 FEM	ROLLS DIAMETER		CONTACT PADS (DxL) mm	THICKNESS (S) mm	CENTER OF GRAVITY (CG) mm	WEIGHT (Q) Kg
			(J) mm	(K) mm				
21G002G2C0001	900	II	350	1100	700X200	178	200	400
21G002G2C0002	900	II	350	1400	700X200	178	205	480
21G002Q2C0001	1300	II	400	1150	750X250	186	220	520
21G002Q2C0002	1300	II	400	1300	750X250	186	230	525
21G00342C0003	2000	II	400	1300	850X250	202	235	620
21G00343C0002	2000	III	400	1300	850X250	202	235	750
21G00343C0003	2000	III	400	1600	850X250	202	240	820
21G003G3C0004	2600	III	550	1300	900X250	215	245	870
21G003G3C0005	2600	III	750	1600	900X250	215	255	940
21G003Q3C0003	3000	III	400	1300	1015X300	225	260	990
21G003W4C0001	3600	IV	750	1800	1050X300	255	275	1440

Hydraulic functions required: 2 | Maximum working pressure: 175 bar



OPTIONS

- Pipes and Fitting Kit.
- Quick Release Hoses couplings Kit.
- Pressure Gauge.
- Quick Release Hooks.
- Solenoid Valve two Functions with Electric Kit (specify voltage).
- Pressure Relief Valve, Non-Return Valve, Regenerative Valve.
- 3 Position Pressure Relief Valve.
- Manual Pressure-Relief Panel with Pressure Gauge and Indicator Lamp.
- Electronic Pressure-Relief Panel with Keyboard and Indicator Lamp.
- Automatic Pressure-Relief System.
- Semi-Integral Sideshift.
- Automatic Greasing System for Semi-Integral Sideshift.

- Mechanical block of Rotation at 180°.
- Milled Contact Plates/Coated Plates with a corundum layer (on request).
- Contact Plates with standard Rubber Coating.
- Contact Plates with smooth Rubber Coating.
- Contact Plates with honeycomb Rubber Coating

ADDITIONAL EQUIPMENT ON REQUEST

- Roll and Tyres Clamps with special width and/or stroke.
- Roll and Tyres Clamps with parallel arms (ideal for containers loading/unloading operations, due to the clamp small size). Available both in the rotating and in the fixed versions.

OIL FLOW RATE

In **bold** the values referred to the functions capacities, which are different from the clamping.

TYPE	ISO 2328 - FEM	MIN CAPACITY (L/min)	MAX CAPACITY (L/min)	RECOMMENDED CAPACITY (L/min)
340 SF	ISO 2	20/10	40/ 60	25/25
340 SF	ISO 3	22/10	40/ 60	30/25
340 SF	ISO 4	30/15	50/ 60	35/35

