

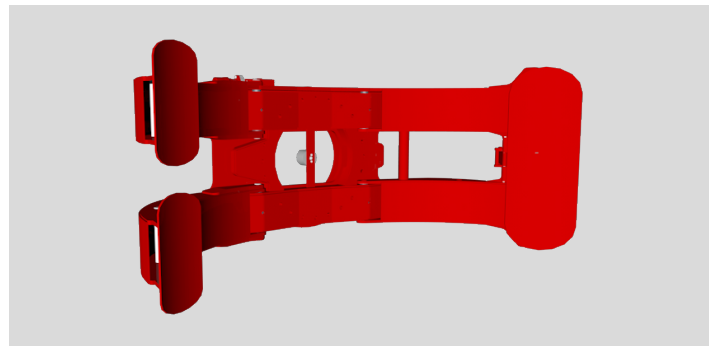
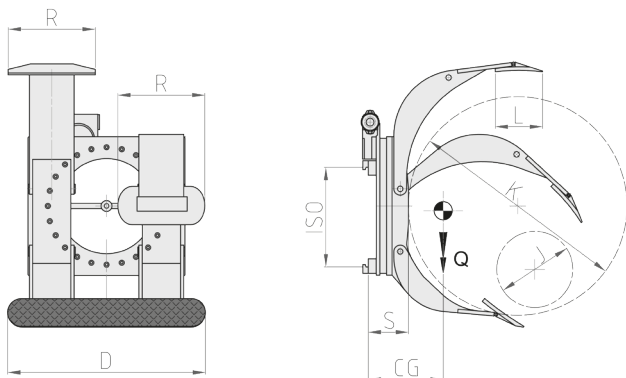
# Roll Clamps

**Roll Clamp** with a short adjustable arm, which allows a wider opening, and a long split one. Its 360° rotation can be mechanically blocked at 180° on request, and it allows to grab and rotate one or more overlapping rolls with the same diameter. A wide choice of openings, capacities and contact pads allow to find the perfect attachment for every needs.

## 340DM 360° ROTATING ROLL CLAMP WITH ADJUSTABLE ARMS AND SPLIT LONG ARM

REFERENCE	ATTACHMENT CAPACITY Kg	ISO 2328 FEM	ROLLS DIAMETER		CONTACT PADS		THICKNESS (S) mm	CENTER OF GRAVITY (CG) mm	WEIGHT (Q) Kg
			(J) mm	(K) mm	(DxL) mm	(RxL) mm			
21G032G2C0001	900	II	250	1100	700X200	310X200	178	205	445
21G032G2C0002	900	II	250	1400	700X200	310X200	178	210	505
21G032Q2C0001	1300	II	250	1150	750X250	315X250	186	225	540
21G032Q2C0002	1300	II	250	1300	750X250	315X250	186	235	560
21G03342C0001	2000	II	250	1300	850X250	365X250	202	240	650
21G03343C0001	2000	III	250	1300	850X250	365X250	202	240	770
21G03343C0002	2000	III	250	1600	850X250	365X250	202	245	840
21G033G3C0003	2600	III	300	1300	900X250	390X250	215	250	910
21G033G3C0004	2600	III	480	1600	900X250	390X250	215	260	975
21G033Q3C0001	3000	III	250	1300	1015X300	445X300	225	265	1030
21G033W4C0001	3600	IV	480	1800	1050X300	465X300	255	270	1465

Hydraulic functions required: 2 | Maximum working pressure: 175 bar



### OPTIONS

- Pipes and Fitting Kit.
- Quick Release Hoses couplings Kit.
- Pressure Gauge.
- Quick Release Hooks.
- Solenoid Valve two Functions with Electric Kit (specify voltage).
- Pressure Relief Valve, Non-Return Valve, Regenerative Valve.
- 3 Position Pressure Relief Valve.
- Manual Pressure-Relief Panel with Pressure Gauge and Indicator Lamp.
- Electronic Pressure-Relief Panel with Keyboard and Indicator Lamp.
- Automatic Pressure-Relief System.
- Semi-Integral Sideshift.
- Automatic Greasing System for Semi-Integral Sideshift.

- Mechanical block of Rotation at 180°.
- Milled Contact Plates/Coated Plates with a corundum layer (on request).
- Contact Plates with standard Rubber Coating.
- Contact Plates with smooth Rubber Coating.
- Contact Plates with honeycomb Rubber Coating

### ADDITIONAL EQUIPMENT ON REQUEST

- Roll and Tyres Clamps with special width and/or stroke.
- Roll and Tyres Clamps with parallel arms (ideal for containers loading/unloading operations, due to the clamp small size). Available both in the rotating and in the fixed versions.

### OIL FLOW RATE

In **bold** the values referred to the functions capacities, which are different from the clamping.

TYPE	ISO 2328 - FEM	MIN CAPACITY (L/min)	MAX CAPACITY (L/min)	RECOMMENDED CAPACITY (L/min)
340 DM	ISO 2	20/10	40/60	25/25
340 DM	ISO 3	22/10	40/60	30/25
340 DM	ISO 4	30/15	50/60	35/35

