

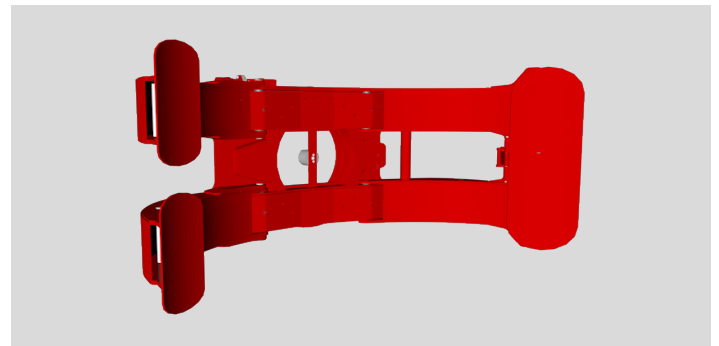
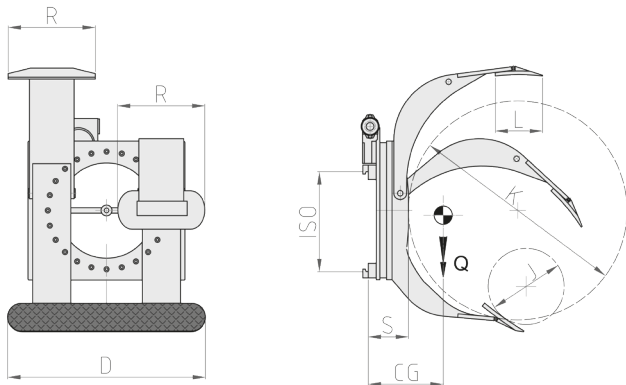
# Roll Clamps

**Roll Clamp** with a short fixed arm and a long split one. Its 360° rotation can be mechanically blocked at 180° on request, and it allows to grab and rotate one or more overlapping rolls with the same diameter. A wide choice of openings, capacities and contact pads allow to find the perfect attachment for every needs.

## 340DF 360° ROTATING ROLL CLAMP WITH SHORT FIXED ARM AND SPLIT LONG ARM

REFERENCE	ATTACHMENT CAPACITY Kg	ISO 2328 FEM	ROLLS DIAMETER		CONTACT PADS		THICKNESS (S) mm	CENTER OF GRAVITY (CG) mm	WEIGHT (Q) Kg
			(J) mm	(K) mm	(DxL) mm	(RxL) mm			
21G022G2C0001	900	II	350	1100	700X200	310X200	178	200	420
21G022G2C0002	900	II	350	1400	700X200	310X200	178	205	470
21G022Q2C0001	1300	II	400	1150	750X250	315X250	186	220	480
21G022Q2C0002	1300	II	400	1300	750X250	315X250	186	230	515
21G02342C0001	2000	II	400	1300	850X250	365X250	202	235	605
21G02343C0001	2000	III	400	1300	850X250	365X250	202	235	735
21G02343C0003	2000	III	400	1600	850X250	365X250	202	240	805
21G023G3C0003	2600	III	550	1300	900X250	390X250	215	245	855
21G023G3C0004	2600	III	750	1600	900X250	390X250	215	255	915
21G023Q3C0001	3000	III	400	1300	1015X300	445X300	225	260	970
21G023W4C0001	3600	IV	750	1800	1050X300	465X300	255	275	1410

Hydraulic functions required: 2 | Maximum working pressure: 175 bar



### OPTIONS

- Pipes and Fitting Kit.
- Quick Release Hoses couplings Kit.
- Pressure Gauge.
- Quick Release Hooks.
- Solenoid Valve two Functions with Electric Kit (specify voltage).
- Pressure Relief Valve, Non-Return Valve, Regenerative Valve.
- 3 Position Pressure Relief Valve.
- Manual Pressure-Relief Panel with Pressure Gauge and Indicator Lamp.
- Electronic Pressure-Relief Panel with Keyboard and Indicator Lamp.
- Automatic Pressure-Relief System.
- Semi-Integral Sideshift.
- Automatic Greasing System for Semi-Integral Sideshift.

- Mechanical block of Rotation at 180°.
- Milled Contact Plates/Coated Plates with a corundum layer (on request).
- Contact Plates with standard Rubber Coating.
- Contact Plates with smooth Rubber Coating.
- Contact Plates with honeycomb Rubber Coating

### ADDITIONAL EQUIPMENT ON REQUEST

- Roll and Tyres Clamps with special width and/or stroke.
- Roll and Tyres Clamps with parallel arms (ideal for containers loading/unloading operations, due to the clamp small size). Available both in the rotating and in the fixed versions.

### OIL FLOW RATE

In **bold** the values referred to the functions capacities, which are different from the clamping.

TYPE	ISO 2328 - FEM	MIN CAPACITY (L/min)	MAX CAPACITY (L/min)	RECOMMENDED CAPACITY (L/min)
340 DF	ISO 2	20/10	40/60	25/25
340 DF	ISO 3	22/10	40/60	30/25
340 DF	ISO 4	30/15	50/60	35/35

