

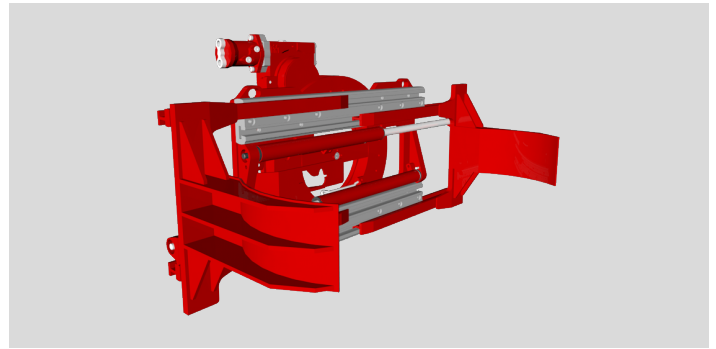
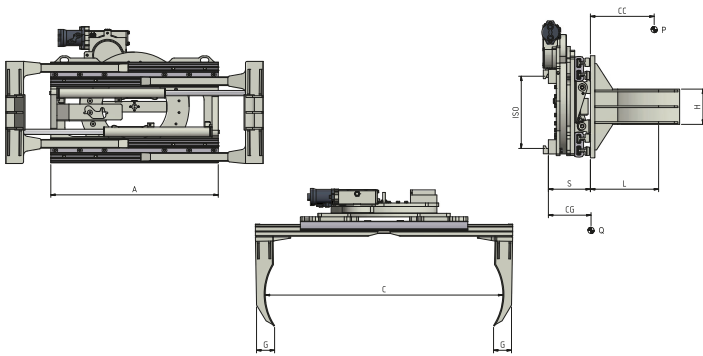
# Rotating Clamps

**Rotating Clamp** specifically suggested to customers who need to move and rotate one or two barrels together. The clamping force, which can be set through a hydraulic valve, allows a safe movement of the load. A pressure relief valve, a non-return valve and a regenerative valve are supplied as standard on each model. Min. and Max. openings can be adapted to different needs, as the arms dimension and length. Side shifting valve and semi-integral sideshift available on request.

## 301.474.160 360° ROTATING DRUM CLAMP FOR ONE OR TWO DRUMS

REFERENCE	CAPACITY (P) Kg	LOAD CENTRE (CC) mm	ISO 2328 FEM	FRAME WIDTH (A) mm	OPENING RANGE (C MIN) mm (C MAX) mm		BLADES SIZES (GxHxL) mm	THICKNESS (S) mm	CENTER OF GRAVITY (CG) mm	WEIGHT (Q) Kg
11M23AQ2A0001	1200	330	II	950	490	1730	100x200x330	234	132	390
11M23BE2A0001	1400	330	II	950	450	1600	100x200x330	267	146	476

Hydraulic functions required: 2 | Maximum working pressure: 175 bar



### OPTIONS

- Pipes and Fitting Kit.
- Quick Release Hoses couplings Kit.
- Pressure Gauge.
- Bronze Wear Pads.
- Quick Release Hooks.
- Solenoid Valve two Functions with Electric Kit (specify voltage).
- Pressure Relief Valve, Non-Return Valve, Regenerative Valve.
- 3 Position Pressure Relief Valve.
- Manual Pressure-Relief Panel with Pressure Gauge and Indicator Lamp.
- Electronic Pressure-Relief Panel with Keyboard and Indicator Lamp.
- Automatic Pressure-Relief System.
- Rotation Mechanical Block at 180°.
- Sideshifting Valve.
- Semi-Integral Sideshift.
- Automatic Greasing System for Semi-Integral Sideshift.
- Preparation of Clamp for quick Change Arms (up to/over 3500 Kg).
- Preparation of quick Change Arms (up to/over 3500 Kg capacity).
- Cylinder Protection Plate.
- Wear-free Plates under the Frame.

### ADDITIONAL EQUIPMENT ON REQUEST

- Rotating Clamps with special width and/or stroke.
- Load Backrest of various widths and heights.
- Flat Slip-On Arms.
- Slip-On Arms for Drums and with 90° or 180° Hydraulic Rotation.
- V-shaped plates of various diameters for barrel grabbing.

### OIL FLOW RATE

In **bold** the values referred to the rotation capacities.

TYPE	ISO 2328 - FEM	MIN CAPACITY (L/min)	MAX CAPACITY (L/min)	RECOMMENDED CAPACITY (L/min)
301.474.160	ISO 2	10/10	<b>40/60</b>	<b>20/25</b>

