

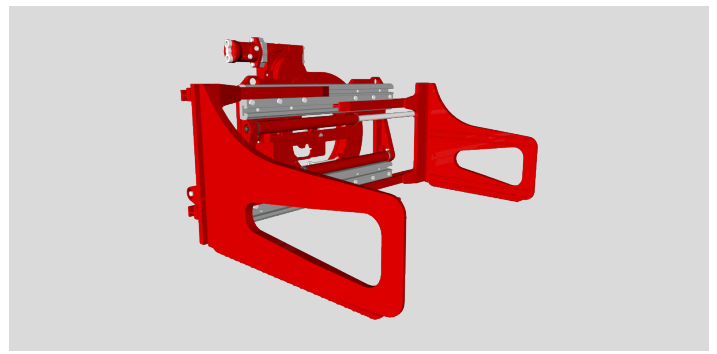
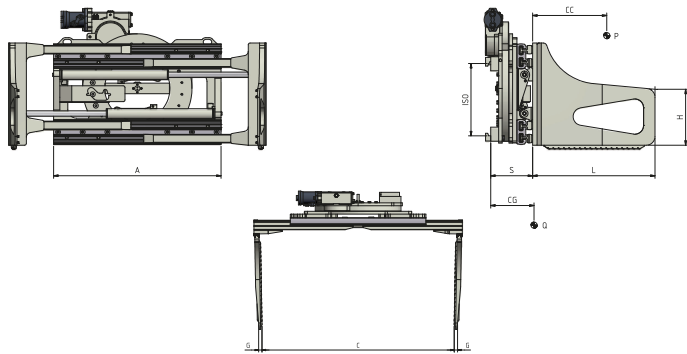
Rotating Clamps

Rotating Clamp with full arms penetration thin welded forks, suggested to customers who need to move and rotate bales of any material: paper, carton, plastic, junk or others. The clamping force, which can be set through hydraulic valve, allows a safe movement of the load. A pressure relief valve, a non-return valve and a regenerative valve are supplied as standard on each model. Min. and Max. openings can be adapted to different needs, as the forks section and length. Side shifting valve and semi-integral sideshift available on request.

301.474.131 360° ROTATING BALE CLAMP WITH THIN BLADES

REFERENCE	CAPACITY (P) Kg	LOAD CENTRE (CC) mm	ISO 2328 FEM	FRAME WIDTH (A) mm	OPENING RANGE (C MIN) mm (C MAX) mm		BLADES DIMENSIONS (GxHxL) mm	THICKNESS (S) mm	CENTER OF GRAVITY (CG) mm	WEIGHT (Q) Kg
11M07AQ2A0001	1200	500	II	850	420	1460	21x350x900	234	220	450
11M07AQ2A0002	1200	500	II	950	520	1760	21x350x900	234	218	453
11M07AQ2A0003	1200	500	II	1050	620	2060	21x350x900	234	217	468
11M07BE2A0003	1400	500	II	950	420	1570	21x400x1000	267	263	588
11M07BE2A0002	1400	500	II	1050	520	1870	21x400x1000	267	261	608
11M07BE2A0004	1400	500	II	1150	620	2170	21x400x1000	267	259	620
11M07BE2A0005	1400	500	II	1250	520	2070	21x400x1000	267	257	636
11M07CG2A0003	1700	500	II	950	420	1570	21x400x1000	267	263	588
11M07CG2A0001	1700	500	II	1050	520	1870	21x400x1000	267	261	604
11M07D62A0002	1900	500	II	1050	420	1670	23x400x1000	267	268	609
11M07D62A0004	1900	500	II	1150	520	1970	23x400x1000	267	266	625
11M07D62A0005	1900	500	II	1250	620	2270	23x400x1000	267	263	641
11M07D62A0006	1900	500	II	1350	720	2570	23x400x1000	267	261	657
11M07EY3A0002	2400	500	III	1050	420	1670	23x400x1000	267	249	680
11M07EY3A0003	2400	500	III	1150	520	1970	23x400x1000	267	244	694
11M07G03A0004	2700	500	III	1100	540	1910	26x400x1000	292	290	940
11M07G03A0005	2700	500	III	1100	530	1900	26x400x1200	292	348	984
11M07G03A0006	2700	500	III	1200	440	1810	26x400x1000	292	285	964
11M07G03A0007	2700	500	III	1200	430	1800	26x400x1200	292	370	1010
11M07G03A0008	2700	500	III	1300	540	2110	26x400x1000	292	280	990
11M07G03A0003	2700	500	III	1300	530	2100	26x400x1200	292	338	1035
11M07G03A0009	2700	500	III	1400	640	2410	26x400x1000	292	275	1015
11M07G03A0010	2700	500	III	1400	630	2400	26x400x1200	292	334	1060
11M07HY3A0001	3500	500	III	1200	470	1880	29x500x1200	302	378	1150
11M07HY3A0002	3500	500	III	1200	460	1870	29x500x1500	302	462	1270
11M07HY3A0003	3500	500	III	1300	570	2180	29x500x1200	302	382	1190
11M07HY3A0004	3500	500	III	1300	560	2170	29x500x1500	302	458	1290
11M07HY3A0005	3500	500	III	1400	670	2480	29x500x1200	302	379	1200
11M07HY3A0006	3500	500	III	1400	660	2470	29x500x1500	302	454	1310

Hydraulic functions required: 2 | Maximum working pressure: 175 bar



OPTIONS

- Pipes and Fitting Kit. • Quick Release Hoses couplings Kit. • Pressure Gauge.
- Bronze Wear Pads. • Quick Release Hooks. • Solenoid Valve two Functions with Electric Kit (specify voltage). • Pressure Relief Valve, Non-Return Valve, Regenerative Valve. • 3 Position Pressure Relief Valve. • Manual Pressure-Relief Panel with Pressure Gauge and Indicator Lamp. • Electronic Pressure-Relief Panel with Keyboard and Indicator Lamp. • Automatic Pressure-Relief System. • Rotation Mechanical Block at 180°. • Sideshifting Valve. • Semi-Integral Sideshift. • Automatic Greasing System for Semi-Integral Sideshift.

- Preparation of Clamp for quick Change Arms (up to/over 3500 Kg). • Preparation of quick Change Arms (up to/over 3500 Kg capacity). • Cylinder Protection Plate. • Wear-free Plates under the Frame. • Wear-free Plates under the Blades.

ADDITIONAL EQUIPMENT ON REQUEST

- Rotating Clamps with special width and/or stroke. • Load Backrest of various widths and heights. • Flat Slip-On Arms, Slip-On Arms for Drums and with 90° or 180° Hydraulic Rotation. • Blades of any length and height.

OIL FLOW RATE

In **bold** the values referred to the rotation capacities.

TYPE	ISO 2328 - FEM	MIN CAPACITY (L/min)	MAX CAPACITY (L/min)	RECOMMENDED CAPACITY (L/min)
301.474.131	ISO 2	10/10	40/60	20/25
301.474.131	ISO 3	15/10	40/60	25/25

