

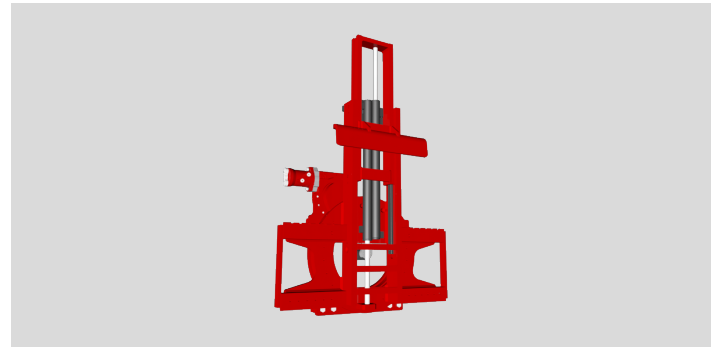
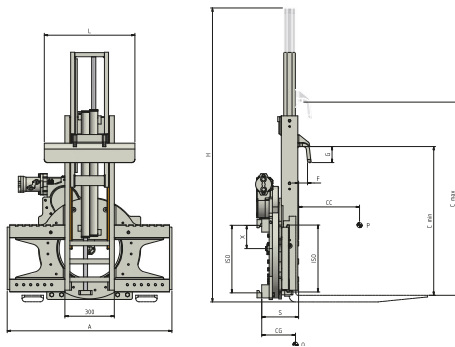
Rotators

Rotator recommended for all emptying boxes operations (for junk, recycling, or in the agricultural industries), thanks to the Special Locking System of the box during rotation.

219 360° BOX ROTATOR WITH L-SHAPED ARM

REFERENCE	CAPACITY (P) Kg	LOAD CENTRE (CC) mm	ISO 2328 FEM	CARRIAGE WIDTH (A) mm	HEIGHT (E) mm	BOX HEIGHT FROM FORKS LEVEL (C MIN) mm	(C MAX) mm	HOOK DIMENSION (FxGxL) mm	THICKNESS (S) mm	CENTER OF GRAVITY (CG) mm	WEIGHT (Q) Kg
25C342A0013	2200	500	II	1000	1300	300	1000	55x100x500	225	150	310
25C342A0020	2200	500	II	1100	1300	300	1000	60x60x600	225	150	320
25C3Q3A0004	3000	500	III	1150	2100	300	1400	70x100x300	194	110	460

Hydraulic functions required: 2 | Maximum working pressure: 175 bar



OPTIONS

- Pipes and Fitting Kit.
- Quick Release Hoses couplings Kit.
- Pressure Gauge.
- Bronze Wear Pads.
- Quick Release Hooks.
- Drilling for Load Backrest.
- Solenoid Valve two Functions with Electric Kit (specify voltage).
- Pressure Relief Valve.
- Check Valve for Barrel Grabbing.
- Semi-Integral Sideshift.
- Automatic Greasing System for Semi-Integral Sideshift.
- Mechanical Block of Rotation at 180°.

ADDITIONAL EQUIPMENT ON REQUEST

- Rotators with special width and/or stroke.
- Special Hooks for Drums/Boxes with various strokes and dimensions.
- Forks with any section and lenght.
- Load Backrest of various widths and heights.
- Pin-Type Fork Connection for ISO 2, 3, 4.
- 1000 mm Side Resistant Arm for ISO 2, 3.
- Foundry Version (Heat Shield on the Crown) for all types of ISO.
- Fishing Industry Version (Heat Shield on the Crown and Anti-Corrosion Treatment) for for all types of ISO.
- Motor Protection for for all types of ISO.
- Closing of the Central Opening for for all types of ISO.
- Central Greasing System with Heat-Resistant Grease for all types of ISO.

OIL FLOW RATE

In **bold** the values referred to the capacities of the functions which are different from the rotation.

TYPE	ISO 2328 - FEM	MIN CAPACITY (L/min)	MAX CAPACITY (L/min)	RECOMMENDED CAPACITY (L/min)
219	ALL	10/10	60/40	25/25

- A - Pin-Type Forks
- B - Bolted Forks
- C - Welded Forks
- D - Telescopic Forks

