

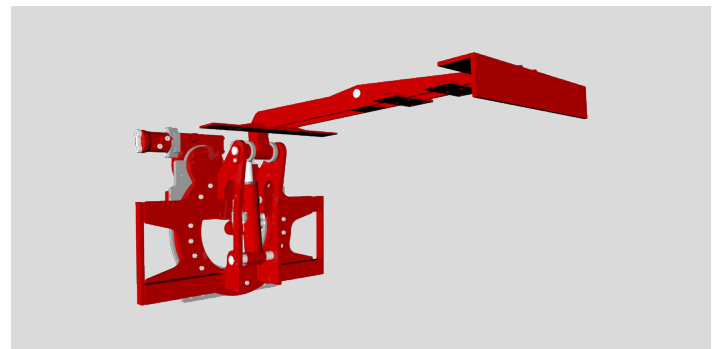
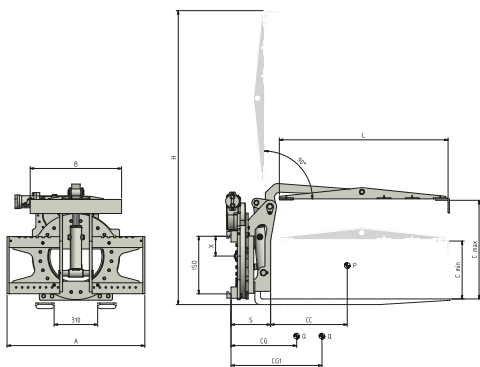
Rotators

Rotator recommended for all emptying boxes operations (for junk, recycling, or in the agricultural industries), thanks to the Special Locking System of the box during rotation.

213 360° BOX ROTATOR WITH UPPER RESTRAINT ARM

REFERENCE	CLOSED ATTACHMENT CAPACITY (P) Kg	LOAD CENTRE (CC) mm	ISO 2328 FEM	CARRIAGE WIDTH (A) mm	HEIGHT (E) mm	BOX HEIGHT FROM FORKS LEVEL (C MIN) mm	(C MAX) mm	PLATE LENGTH (L) mm	THICKNESS (S) mm	CENTER OF GRAVITY (CG) mm	CENTER OF GRAVITY (CG1) mm	WEIGHT (Q) Kg
25A342A0006	2500	500	II	980	1945	360	680	1175	320	175	245	275

Hydraulic functions required: 2 | Maximum working pressure: 175 bar



OPTIONS

- Pipes and Fitting Kit.
- Quick Release Hoses couplings Kit.
- Pressure Gauge.
- Bronze Wear Pads.
- Quick Release Hooks.
- Drilling for Load Backrest.
- Solenoid Valve two Functions with Electric Kit (specify voltage).
- Pressure Relief Valve.
- Check Valve for Barrel Grabbing.
- Semi-Integral Sideshift.
- Automatic Greasing System for Semi-Integral Sideshift.
- Mechanical Block of Rotation at 180°.

ADDITIONAL EQUIPMENT ON REQUEST

- Rotators with special width and/or stroke.
- Special Hooks for Drums/Boxes with various strokes and dimensions.
- Forks with any section and lenght.
- Load Backrest of various widths and heights.
- Pin-Type Fork Connection for ISO 2, 3, 4.
- 1000 mm Side Resistant Arm for ISO 2, 3.
- Foundry Version (Heat Shield on the Crown) for all types of ISO.
- Fishing Industry Version (Heat Shield on the Crown and Anti-Corrosion Treatment) for for all types of ISO.
- Motor Protection for for all types of ISO.
- Closing of the Central Opening for for all types of ISO.
- Central Greasing System with Heat-Resistant Grease for all types of ISO.

OIL FLOW RATE

In **bold** the values referred to the capacities of the functions which are different from the rotation.

TYPE	ISO 2328 - FEM	MIN CAPACITY (L/min)	MAX CAPACITY (L/min)	RECOMMENDED CAPACITY (L/min)
213	ISO 2	10/10	60/40	25/25

- A - Pin-Type Forks
- B - Bolted Forks
- C - Welded Forks
- D - Telescopic Forks

